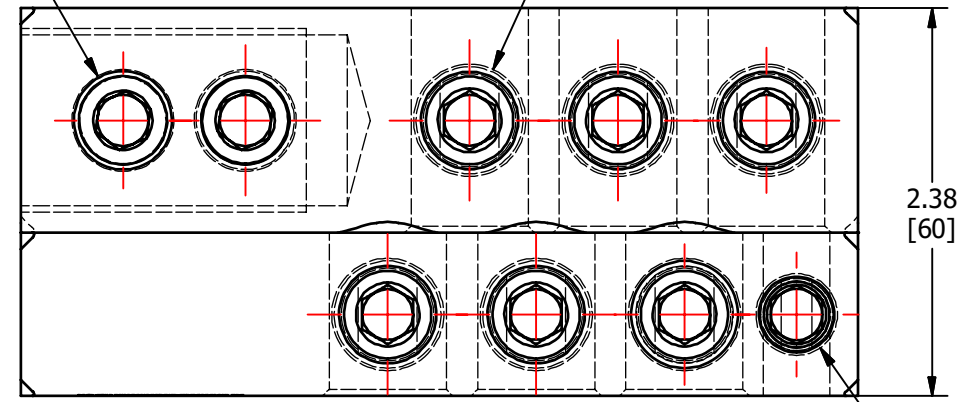


S.NO	CATALOG NUMBER	L	B
1	ZQ6-350BSLI	5.13 [130]	6
2	ZQ6-350BSL	5.13 [130]	6
3	ZQ6-350BSLR	5.13 [130]	6
4	ZQ8-350BSLI	5.26 [134]	8
5	ZQ8-350BSL	5.26 [134]	8

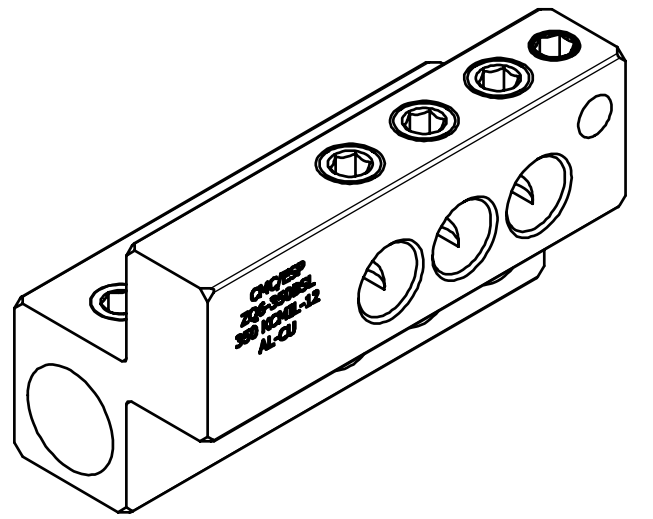
5/8-11 UNC - 2B
(2 PLACES)

TAP 11/16-12 UN
("B" PLACES)

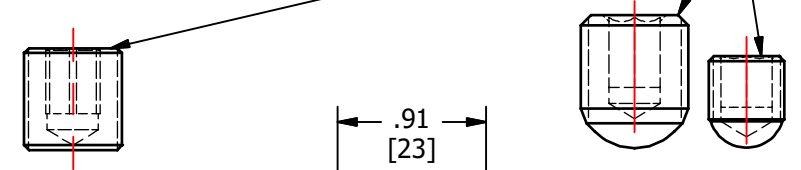


2.38
[60]

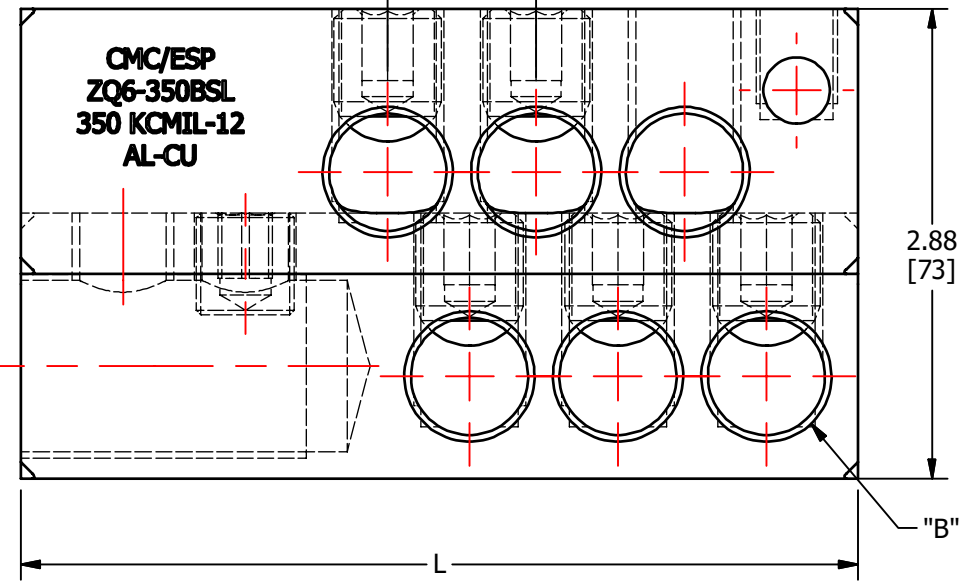
TAP 1/2-20 UNF



SCREWS ARE SUPPLIED WITH
CONNECTOR AND COMES
FULLY ASSEMBLED.

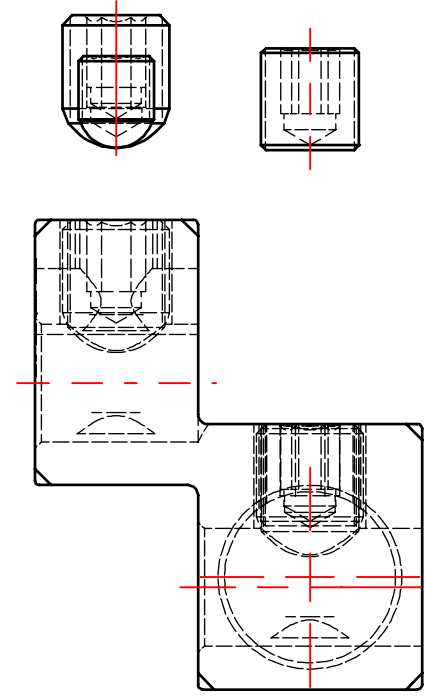


.91
[23]



2.88
[73]

"B" PLACES



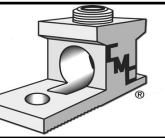
REV.	DESCRIPTION	ECN	DATE	INIT.
A	NEW DRAWING CREATED		02/07/19	TS

TO ORDER CMC PRODUCTS CALL 1-513-860-4455 FOR PRODUCT INFO: http://www.cmcclugs.com	DRAWN BY: TS 02/07/19	NAME OF PART: STUD MOUNT CONNECTOR	CAT. NO.: SEE TABLE
	CHECKED BY:	DWG NO: C58701004-S (CHARTED)	B
DRAWING NOT TO SCALE		SHEET NO: 1 OF 1	

THIS INFORMATION IS PROPRIETARY TO CONNECTOR MFG. CO. AND IS NOT TO BE DISCLOSED OUTSIDE OF CONNECTOR MFG. CO. WITHOUT A CONFIDENTIALITY AGREEMENT



CONNECTOR MANUFACTURING CO.



HAMILTON, OHIO