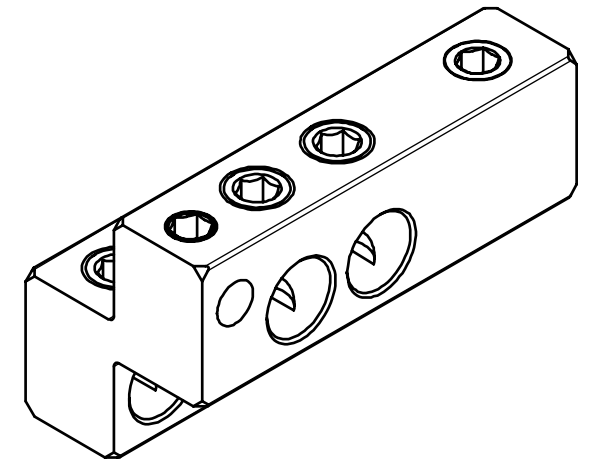
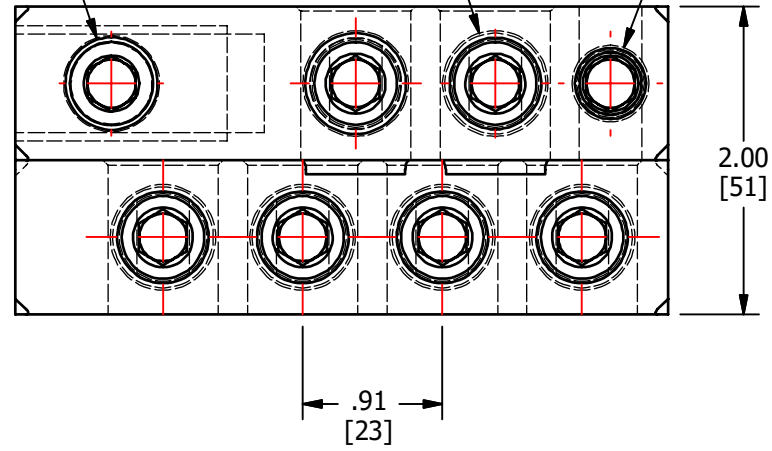
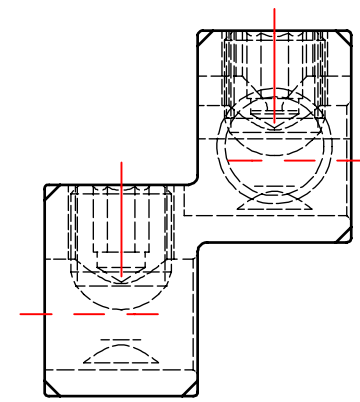
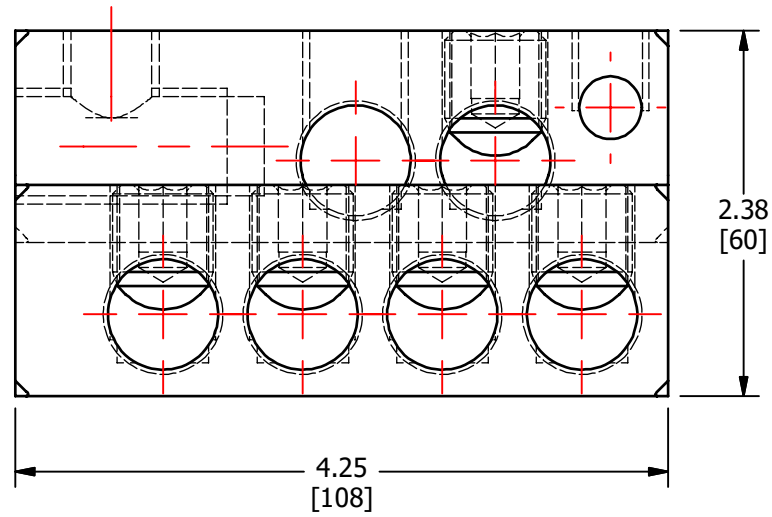
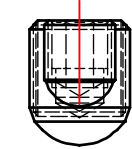
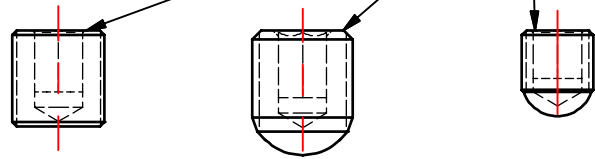


S.NO	CATALOG NUMBER
1	ZQ6-350SLR
2	ZQ6-350SLRI

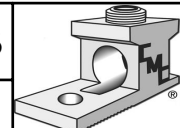
5/8-11 UNC - 2B TAP 11/16-12 UN (6 PLACES) 1/2-13 UNC - 2B



SCREWS ARE SUPPLIED WITH CONNECTOR AND COMES FULLY ASSEMBLED.



REV.	DESCRIPTION	ECN	DATE	INIT.
A	NEW DRAWING CREATED		12/24/18	TS

TO ORDER CMC PRODUCTS CALL 1-513-860-4455 FOR PRODUCT INFO: http://www.cmclugs.com	DRAWN BY: TS 12/24/18	NAME OF PART: STUD MOUNT CONNECTOR	CAT. NO.: SEE TABLE
	CHECKED BY:	DWG NO: C58701047-S (CHARTED)	B 
DRAWING NOT TO SCALE		SHEET NO: 1 OF 1	

THIS INFORMATION IS PROPRIETARY TO CONNECTOR MFG. CO. AND IS NOT TO BE DISCLOSED OUTSIDE OF CONNECTOR MFG. CO. WITHOUT A CONFIDENTIALITY AGREEMENT



CONNECTOR MANUFACTURING CO.

HAMILTON, OHIO