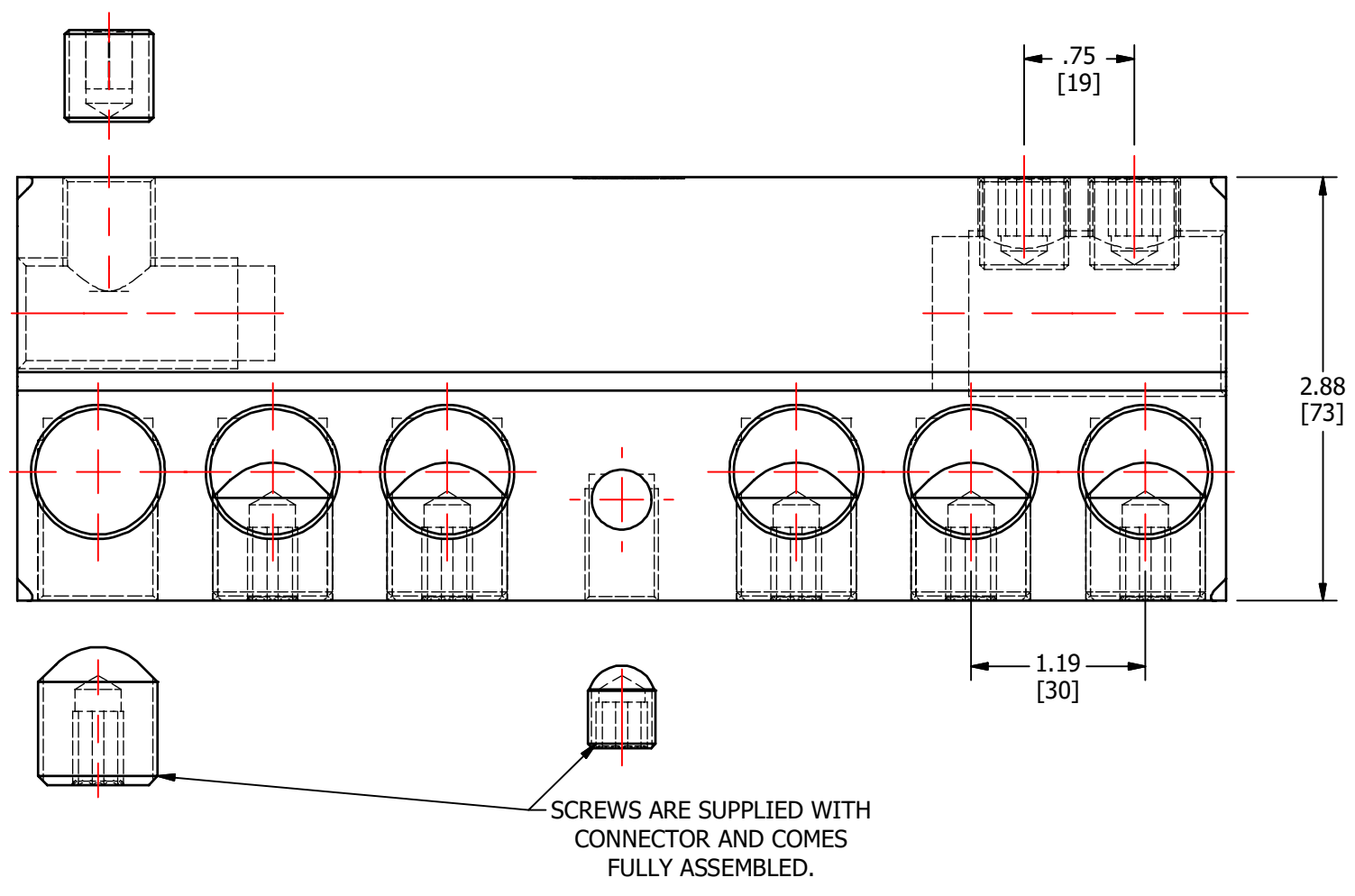
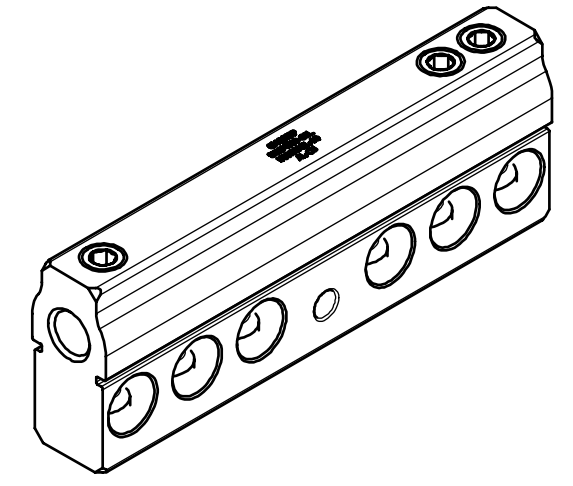
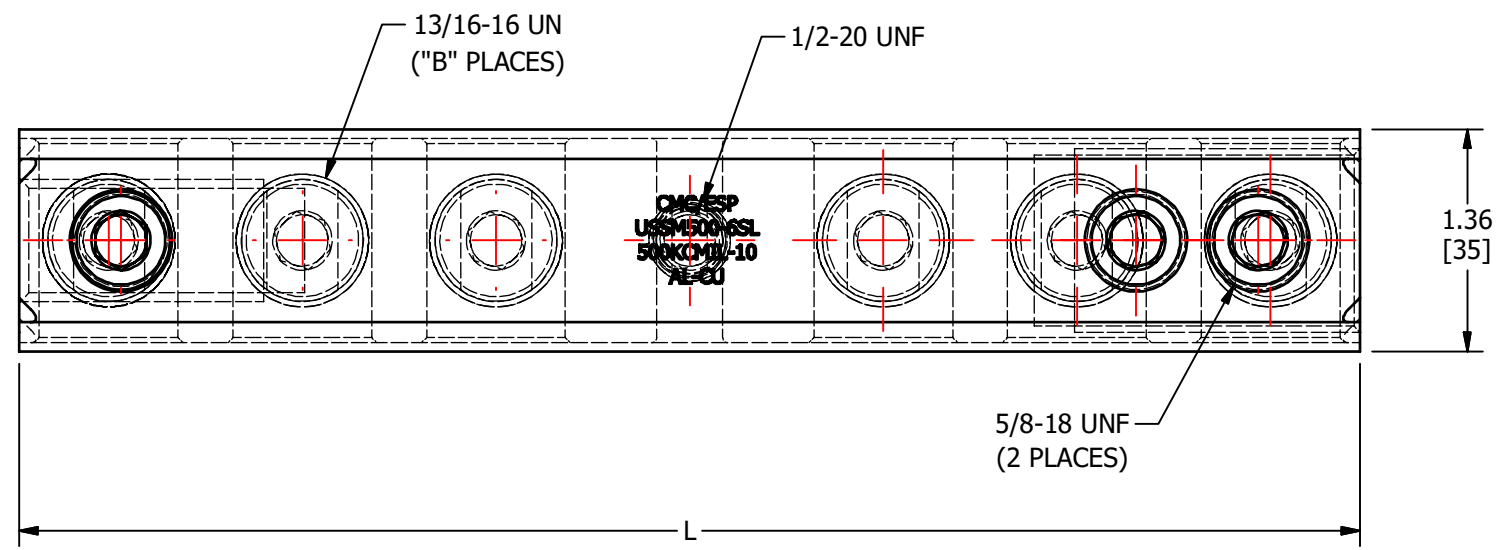


S.NO	CATALOG NUMBER	L	B
1	USSM500-4SL	5.85 [149]	4
2	USSM500-4SLI	5.85 [149]	4
3	USSM500-6SL	8.22 [209]	6
4	USSM500-6SLI	8.22 [209]	6
5	USSM500-8SL	10.60 [269]	8



MARKING

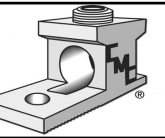
CMC/ESP
USSM500-6SL
500 KCMIL-10
AL-CU

				DRAWN BY: TS 02/08/19		NAME OF PART: UNIVERSAL STUD CONNECTOR		CAT. NO.: SEE TABLE	
				CHECKED BY:		DWG NO: C58701077-S (CHARTED)		B	
A NEW DRAWING CREATED				02/08/19		TS		DRAWING NOT TO SCALE	
REV.	DESCRIPTION	ECN	DATE	INIT.	SHEET NO: 1 OF 1				

THIS INFORMATION IS PROPRIETARY TO CONNECTOR MFG. CO. AND IS NOT TO BE DISCLOSED OUTSIDE OF CONNECTOR MFG. CO. WITHOUT A CONFIDENTIALITY AGREEMENT



CONNECTOR MANUFACTURING CO.



HAMILTON, OHIO