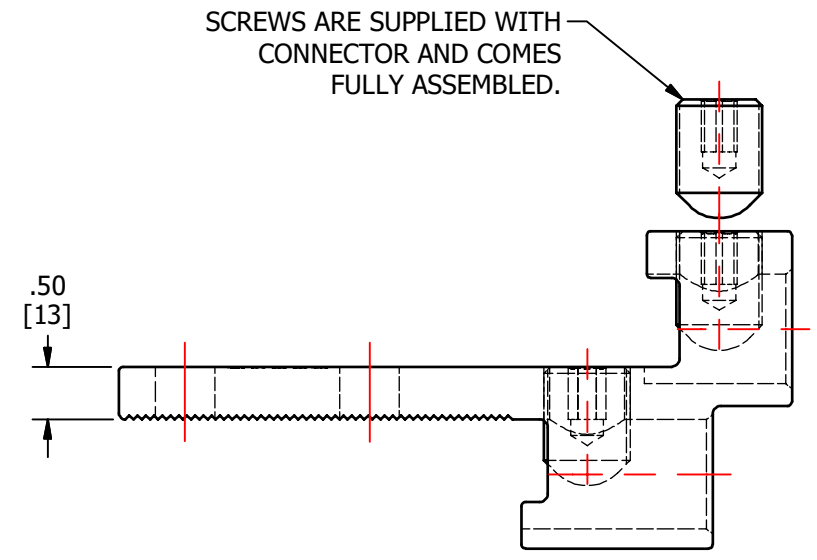
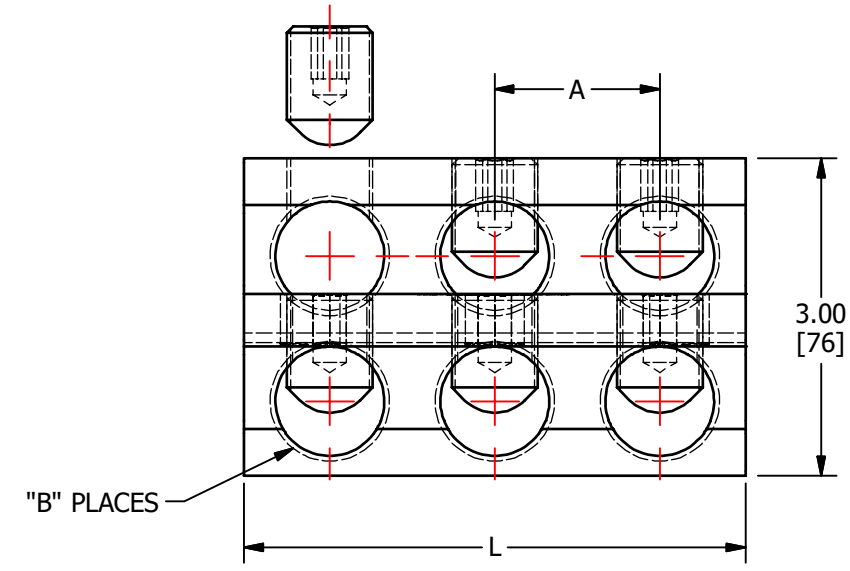
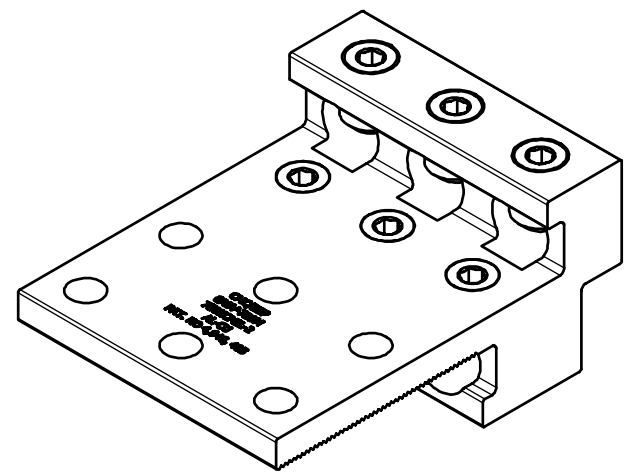
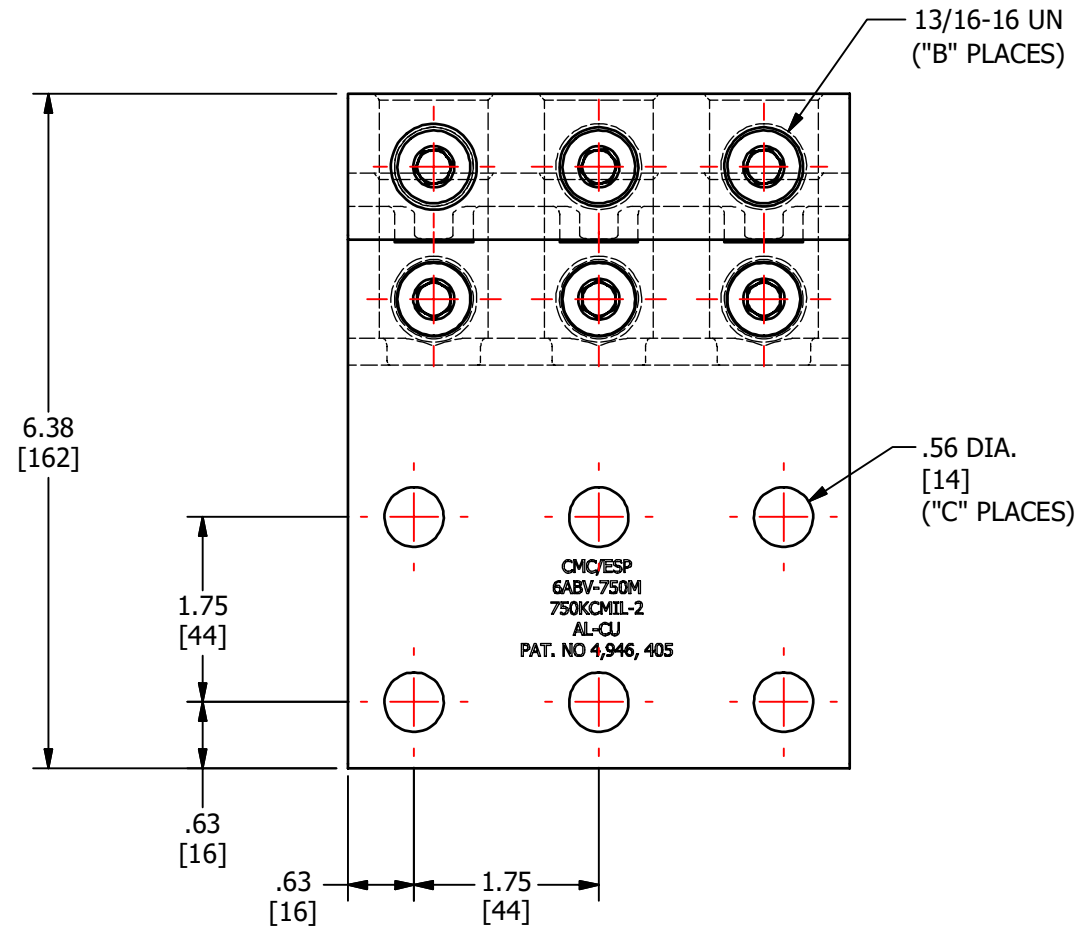


S.NO	CATALOG NUMBER	L	A	B	C
1	4ABV-750M	3.00 [76]	1.50 [38]	4	4
2	4ABV750MI	3.00 [76]	1.50 [38]	4	4
3	6ABV-750M	4.75 [121]	1.56 [40]	6	6
4	6ABV750MI	4.75 [121]	1.56 [40]	6	6
5	8ABV-750M	5.38 [137]	1.31 [33]	8	6
6	8ABV750MI	5.38 [137]	1.31 [33]	8	6
7	10ABV-750M	6.50 [165]	1.28 [33]	10	8
8	10ABV750MI	6.50 [165]	1.28 [33]	10	8
9	12ABV-750M	8.25 [210]	1.38 [35]	12	10
10	12ABV750MI	8.25 [210]	1.38 [35]	12	10

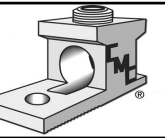


				TO ORDER CMC PRODUCTS CALL 1-513-860-4455		DRAWN BY: TS 01/25/19		NAME OF PART: LUG ASSEMBLY		CAT. NO.: SEE TABLE	
				FOR PRODUCT INFO: http://www.cmclugs.com		CHECKED BY:		DWG NO: C58701112-S (CHARTED)		B	
A NEW DRAWING CREATED				01/25/19		TS		DRAWING NOT TO SCALE		SHEET NO: 1 OF 1	
REV.	DESCRIPTION	ECN	DATE	INIT.							

THIS INFORMATION IS PROPRIETARY TO CONNECTOR MFG. CO. AND IS NOT TO BE DISCLOSED OUTSIDE OF CONNECTOR MFG. CO. WITHOUT A CONFIDENTIALITY AGREEMENT



CONNECTOR MANUFACTURING CO.



HAMILTON, OHIO