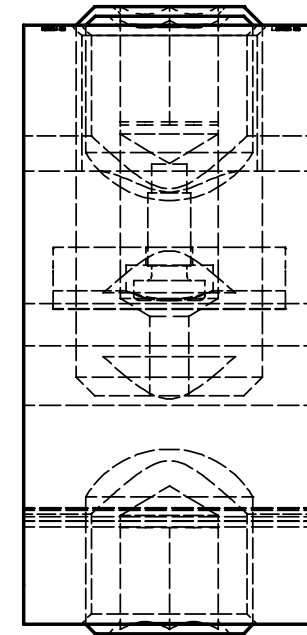
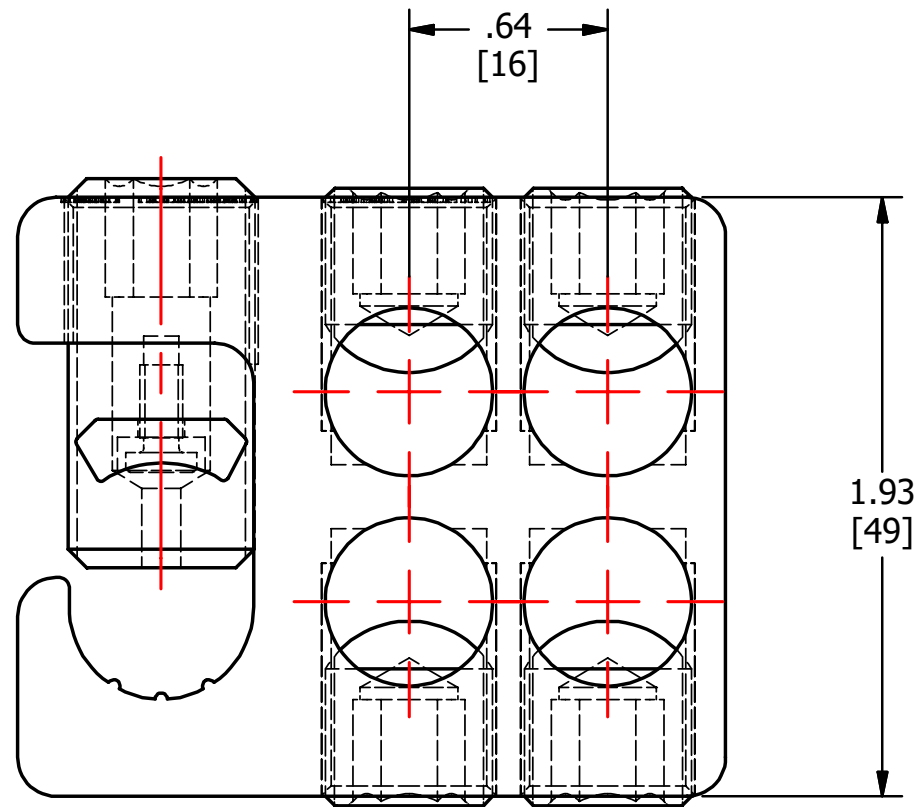
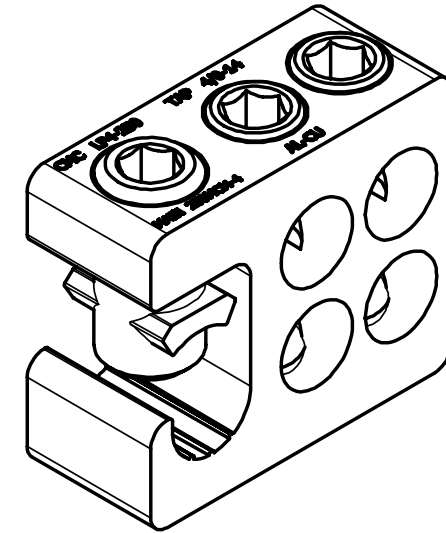
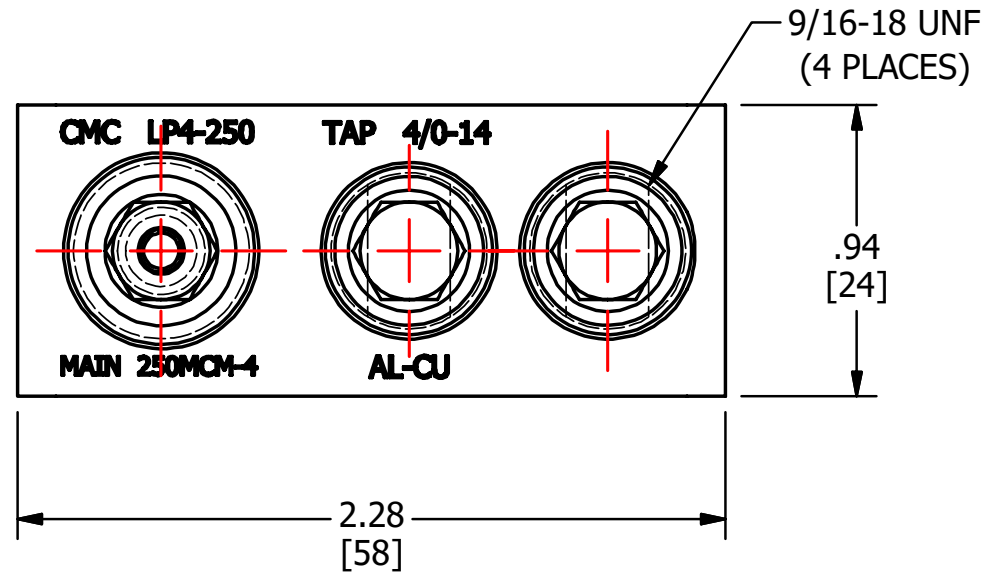


S.NO	CATALOG NUMBER
1	LP4-250
2	LP4-250C
3	LP4-250CI
4	LP4-250I

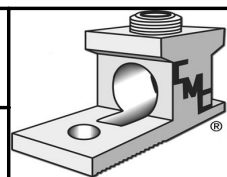


					TO ORDER CMC PRODUCTS CALL 1-513-860-4455	DRAWN BY: TS 12/14/18	NAME OF PART: PARALLEL TAP ASSEMBLY	CAT. NO.: SEE TABLE
					FOR PRODUCT INFO: <a href="http://www.cmclugs.com">http://www.cmclugs.com</a>	CHECKED BY:	DWG NO: C58701123-S (CHARTED)	A
A	NEW DRAWING CREATED		12/14/18	TS		DRAWING NOT TO SCALE		SHEET NO: 1 OF 1
REV.	DESCRIPTION	ECN	DATE	INIT.				

THIS INFORMATION IS PROPRIETARY TO CONNECTOR MFG. CO. AND IS NOT TO BE DISCLOSED OUTSIDE OF CONNECTOR MFG. CO. WITHOUT A CONFIDENTIALITY AGREEMENT



**CONNECTOR MANUFACTURING CO.**



HAMILTON, OHIO