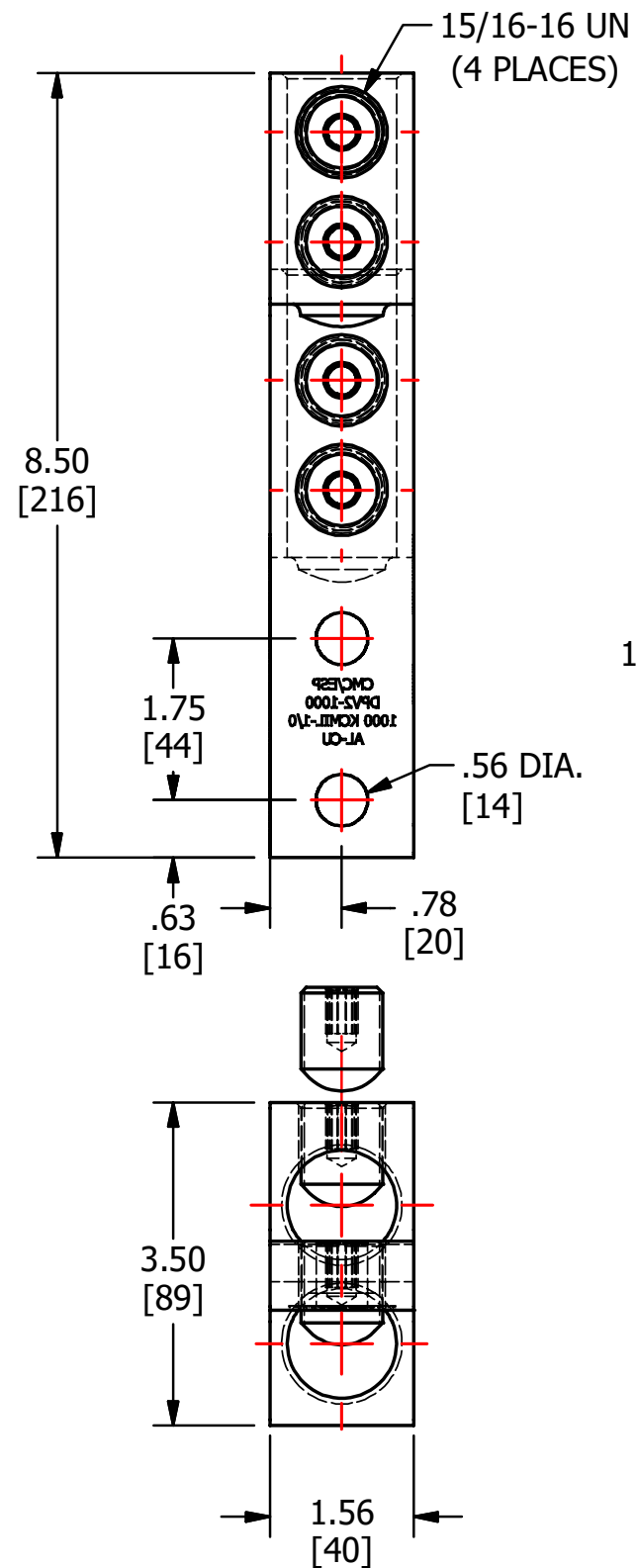


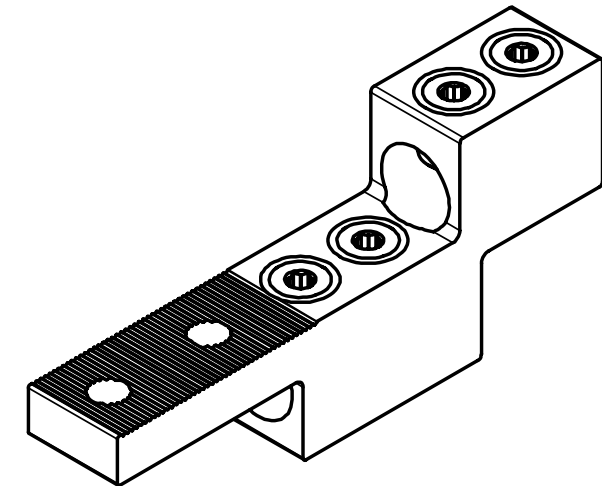
S.NO	CATALOG NUMBER	FINISH
1	DPV2-1000I	CLEAR PLATE
2	DPV2-1000	CLEAR PLATE
3	DPV2-1000TI	TIN PLATE
4	DPV2-1000T	TIN PLATE



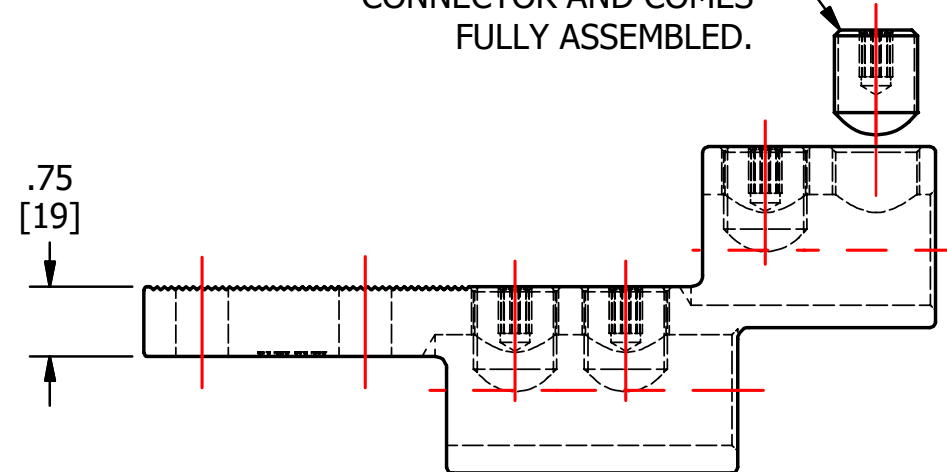
15/16-16 UN  
(4 PLACES)

MARKING

CMC/ESP  
DPV2-1000  
1000 KCMIL-1/0  
AL-CU



SCREWS ARE SUPPLIED WITH  
CONNECTOR AND COMES  
FULLY ASSEMBLED.

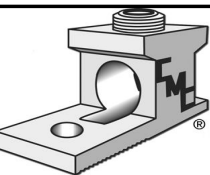


					TO ORDER CMC PRODUCTS CALL 1-513-860-4455	DRAWN BY: TS 01/28/19	NAME OF PART: LUG ASSEMBLY	CAT. NO.: SEE TABLE
					FOR PRODUCT INFO: <a href="http://www.cmclugs.com">http://www.cmclugs.com</a>	CHECKED BY:	DWG NO: C58701147-S	A
<b>A</b>	NEW DRAWING CREATED		01/28/19	TS		DRAWING NOT TO SCALE		SHEET NO: 1 OF 1
REV.	DESCRIPTION	ECN	DATE	INIT.				

THIS INFORMATION IS PROPRIETARY TO CONNECTOR MFG. CO. AND IS NOT TO BE DISCLOSED OUTSIDE OF CONNECTOR MFG. CO. WITHOUT A CONFIDENTIALITY AGREEMENT



**CONNECTOR MANUFACTURING CO.**



HAMILTON, OHIO