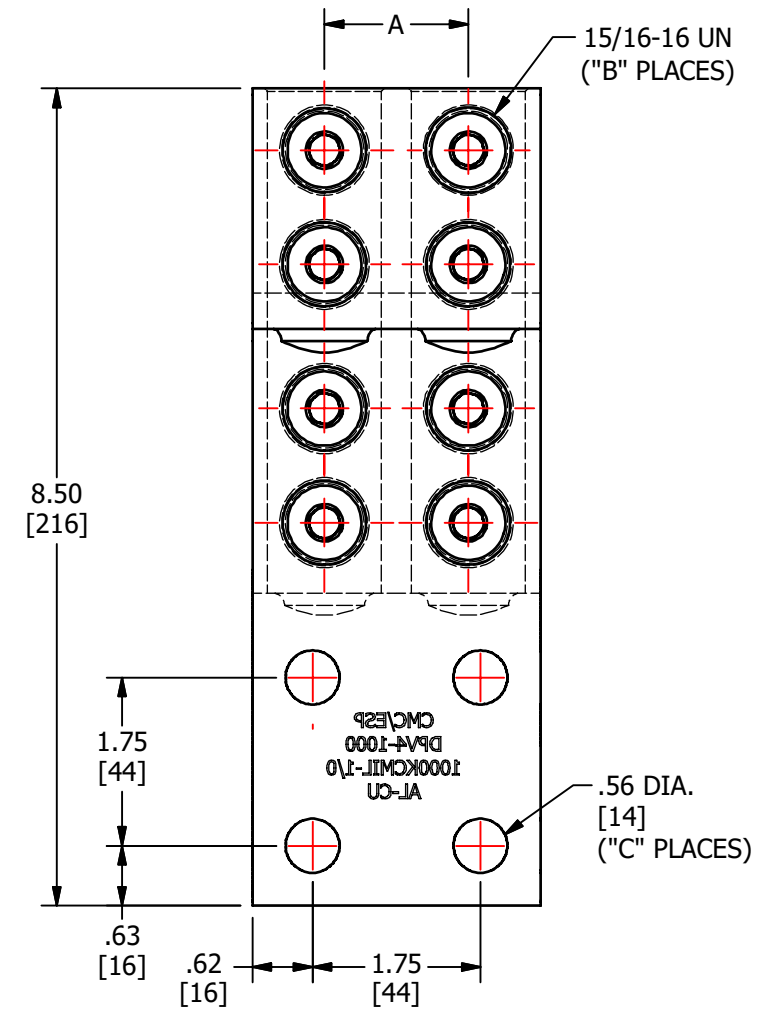
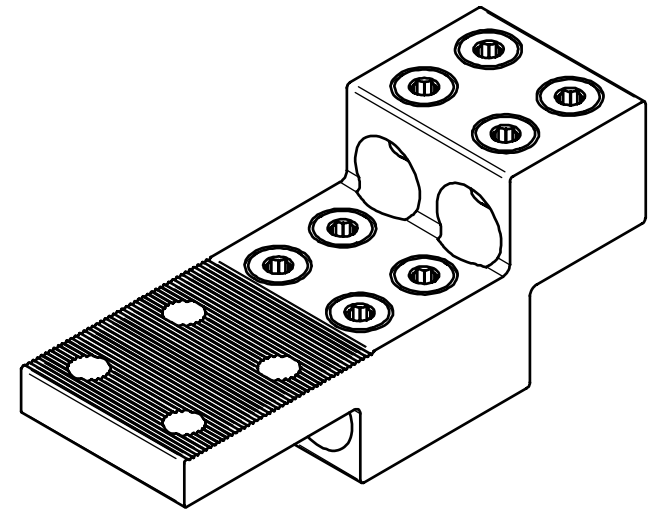


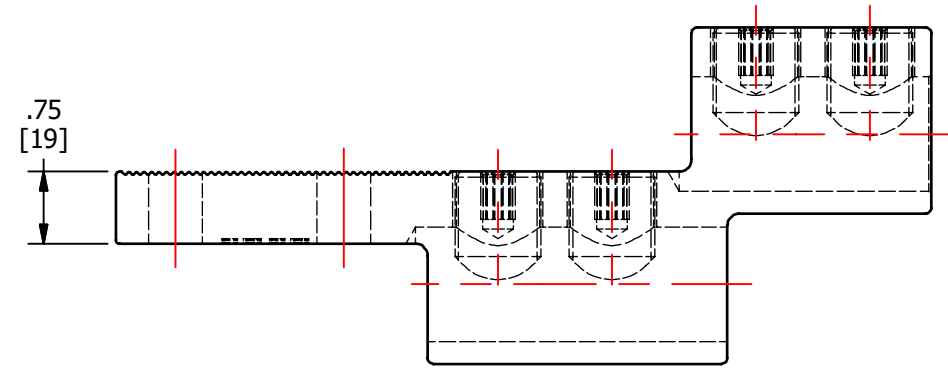
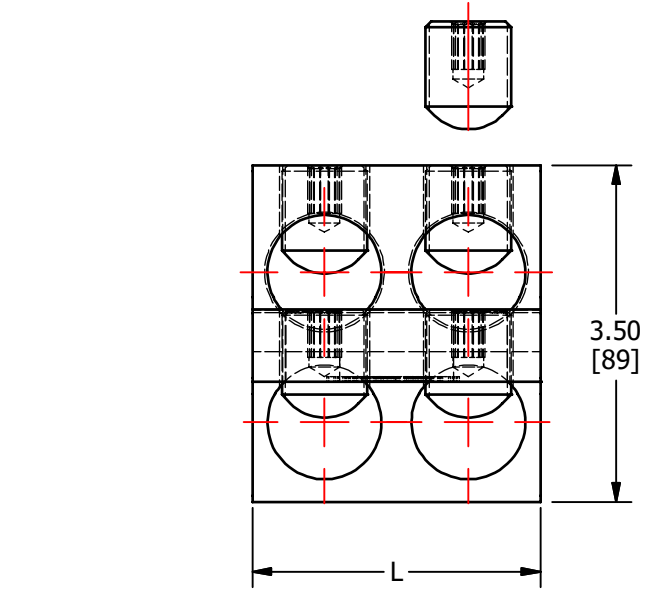
S.NO	CATALOG NUMBER	L	A	B	C
1	DPV4-1000I	3.00 [76]	1.50 [38]	8	4
2	DPV4-1000	3.00 [76]	1.50 [38]	8	4
3	DPV6-1000I	4.75 [121]	1.63 [41]	12	6
4	DPV6-1000	4.75 [121]	1.63 [41]	12	6
5	DPV8-1000I	6.50 [165]	1.67 [42]	16	8
6	DPV8-1000	6.50 [165]	1.67 [42]	16	8
7	DPV10-1000I	8.25 [210]	1.69 [43]	20	10
8	DPV10-1000	8.25 [210]	1.69 [43]	20	10
9	DPV12-1000I	9.00 [229]	1.50 [38]	24	10
10	DPV12-1000	9.00 [229]	1.50 [38]	24	10
11	DPV16-1000I	12.00 [305]	1.50 [38]	32	14
12	DPV16-1000	12.00 [305]	1.50 [38]	32	14



MARKING
 CMC/ESP
 DPV2-1000
 1000 KCMIL-1/0
 AL-CU



SCREWS ARE SUPPLIED WITH CONNECTOR AND COMES FULLY ASSEMBLED.

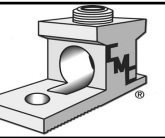


				TO ORDER CMC PRODUCTS CALL 1-513-860-4455		DRAWN BY: TS 01/28/19		NAME OF PART: LUG ASSEMBLY		CAT. NO.: SEE TABLE	
				FOR PRODUCT INFO: http://www.cmcclugs.com		CHECKED BY:		DWG NO: C58701148-S (CHARTED)		B	
A		NEW DRAWING CREATED		01/28/19		TS		DRAWING NOT TO SCALE		SHEET NO: 1 OF 1	
REV.	DESCRIPTION			ECN	DATE	INIT.					

THIS INFORMATION IS PROPRIETARY TO CONNECTOR MFG. CO. AND IS NOT TO BE DISCLOSED OUTSIDE OF CONNECTOR MFG. CO. WITHOUT A CONFIDENTIALITY AGREEMENT



CONNECTOR MANUFACTURING CO.



HAMILTON, OHIO