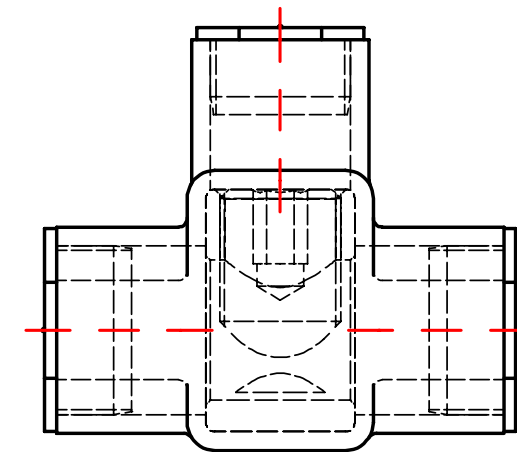
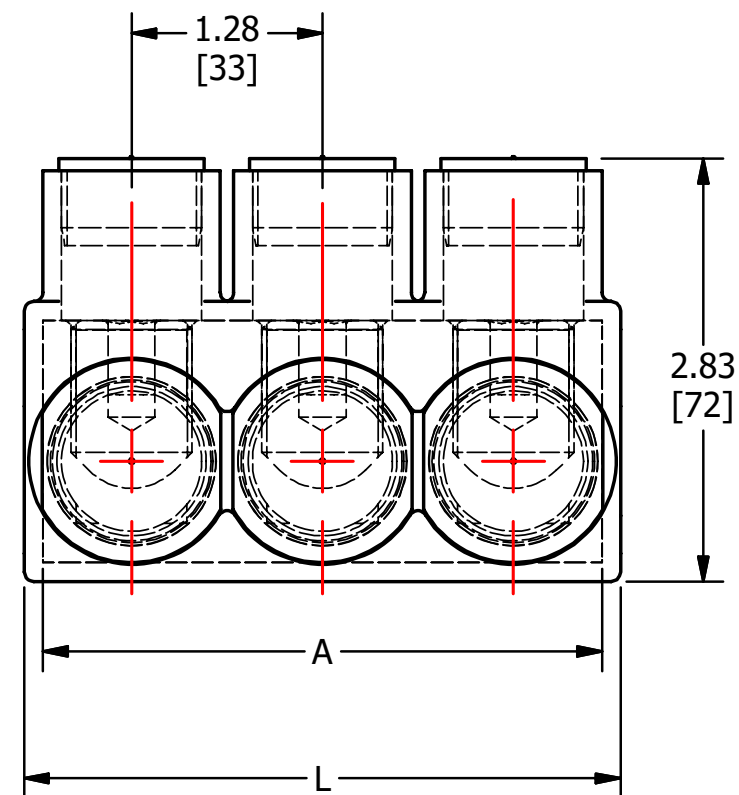
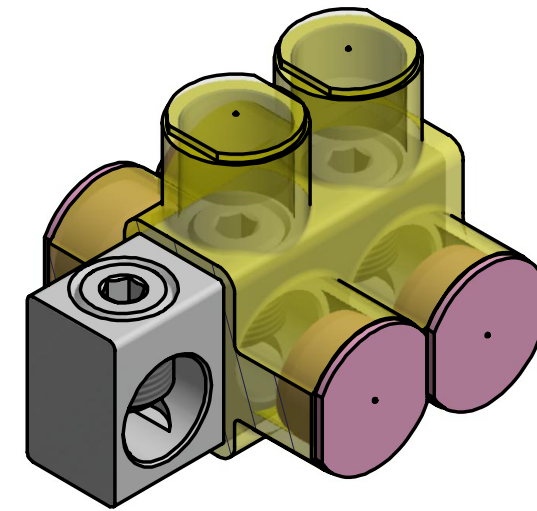
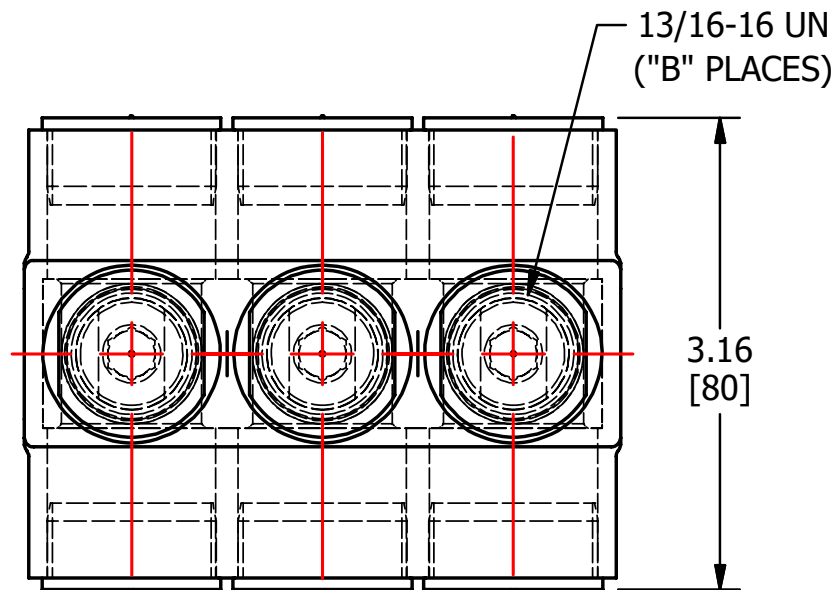


S.NO	CATALOG NUMBER	A	L	B
1	NACC600-2B	2.47 [63]	2.72 [69]	2
2	NACC600-3B	3.75 [95]	4.00 [102]	3
3	NACC600-4B	5.03 [128]	5.28 [134]	4
4	NACC600-5B	6.31 [160]	6.56 [167]	5
5	NACC600-6B	7.59 [193]	7.84 [199]	6
6	NACC600-8B	10.16 [258]	10.41 [264]	8

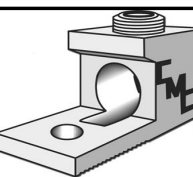


					TO ORDER CMC PRODUCTS CALL 1-513-860-4455	DRAWN BY: TS 02/15/19	NAME OF PART: ENCAP BAR ASSEMBLY- CLEAR	CAT. NO.: SEE TABLE
					FOR PRODUCT INFO: <a href="http://www.cmclugs.com">http://www.cmclugs.com</a>	CHECKED BY:	DWG NO: C58701163-S (CHARTED)	A
A	NEW DRAWING CREATED		02/12/19	TS		DRAWING NOT TO SCALE		SHEET NO: 1 OF 1
REV.	DESCRIPTION	ECN	DATE	INIT.				

THIS INFORMATION IS PROPRIETARY TO CONNECTOR MFG. CO. AND IS NOT TO BE DISCLOSED OUTSIDE OF CONNECTOR MFG. CO. WITHOUT A CONFIDENTIALITY AGREEMENT



**CONNECTOR MANUFACTURING CO.**



HAMILTON, OHIO