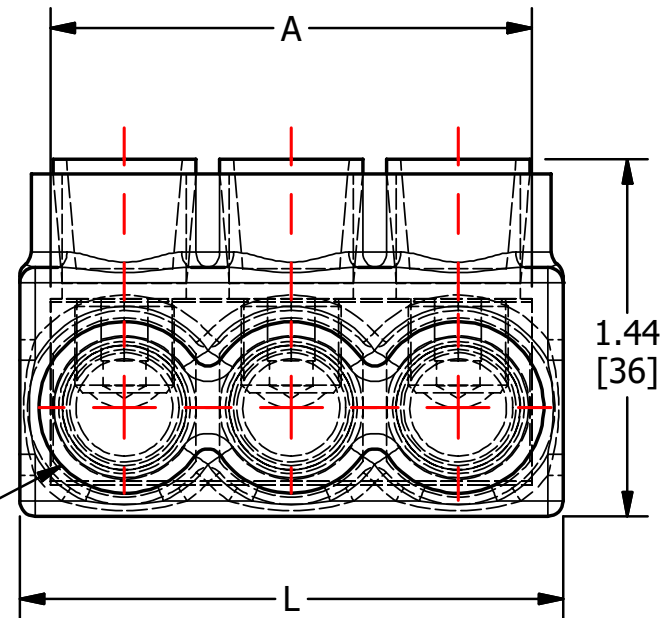
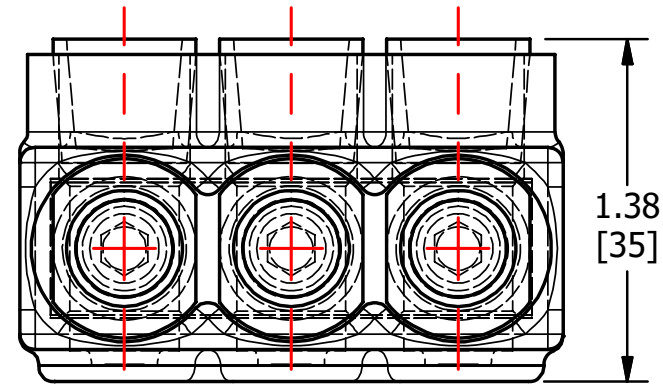
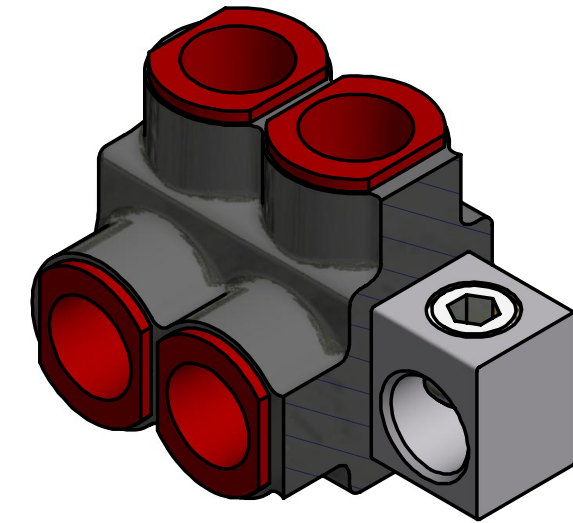
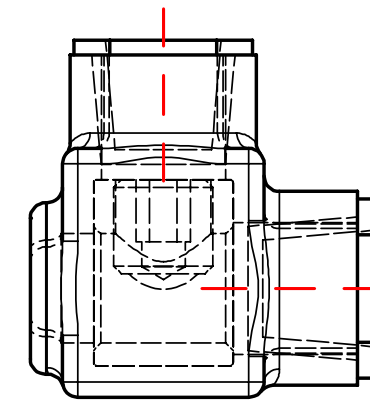


S.NO	CATALOG NUMBER	A	L	B
1	NACC2/0-2S	1.27 [32]	1.52 [39]	2
2	NACC2/0-3S	1.94 [49]	2.19 [56]	3
3	NACC2/0-4S	2.61 [66]	2.86 [73]	4
4	NACC2/0-5S	3.28 [83]	3.53 [90]	5
5	NACC2/0-6S	3.95 [100]	4.20 [107]	6
6	NACC2/0-8S	5.30 [135]	5.55 [141]	8



"B" PLACES

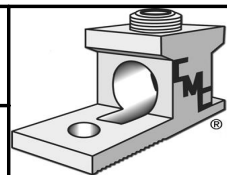


					TO ORDER CMC PRODUCTS CALL 1-513-860-4455	DRAWN BY: TS	NAME OF PART: ENCAPSULATED BAR ASSEMBLY	CAT. NO.: SEE TABLE
					FOR PRODUCT INFO: http://www.cmclugs.com	CHECKED BY:	DWG NO: C58701177-S (CHARTED)	A
A	NEW DRAWING CREATED		12/13/18	TS		DRAWING NOT TO SCALE		SHEET NO: 1 OF 1
REV.	DESCRIPTION	ECN	DATE	INIT.				

THIS INFORMATION IS PROPRIETARY TO CONNECTOR MFG. CO. AND IS NOT TO BE DISCLOSED OUTSIDE OF CONNECTOR MFG. CO. WITHOUT A CONFIDENTIALITY AGREEMENT



CONNECTOR MANUFACTURING CO.



HAMILTON, OHIO