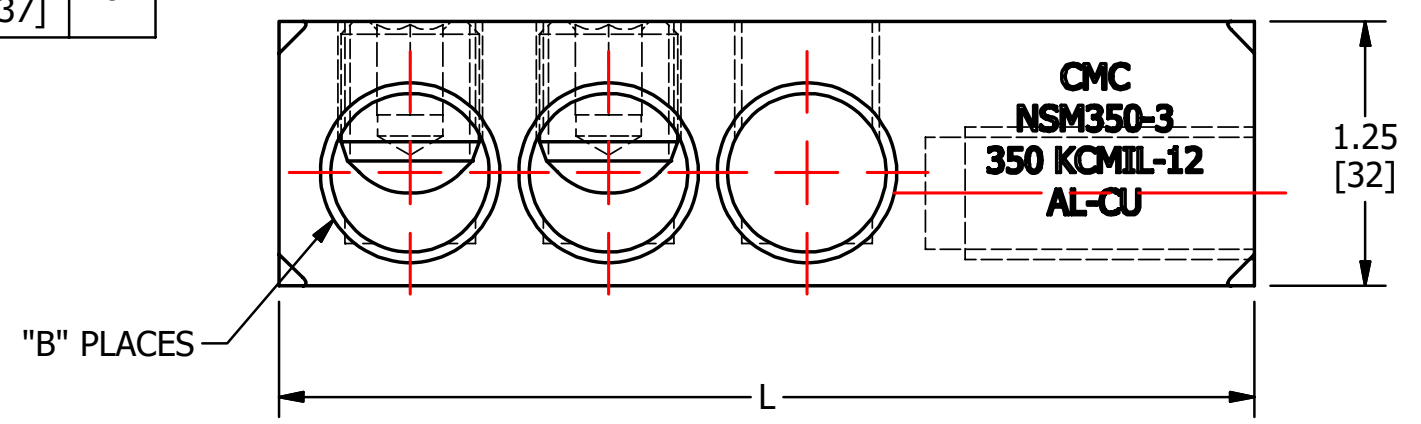
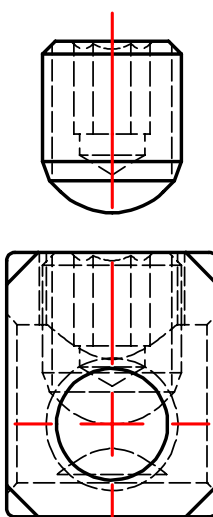
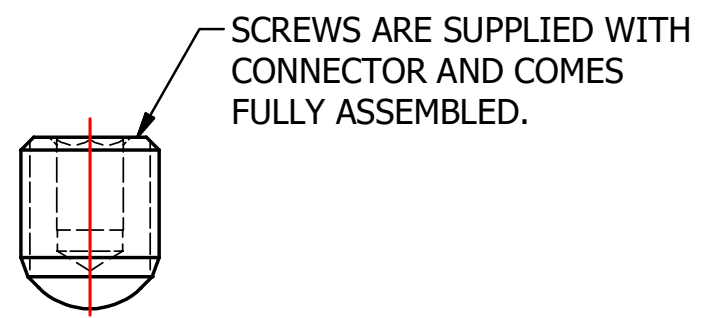
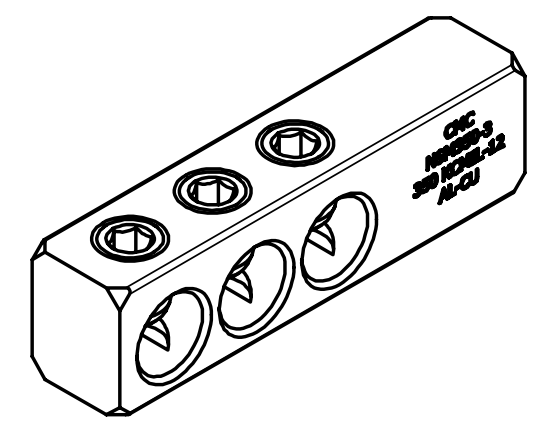
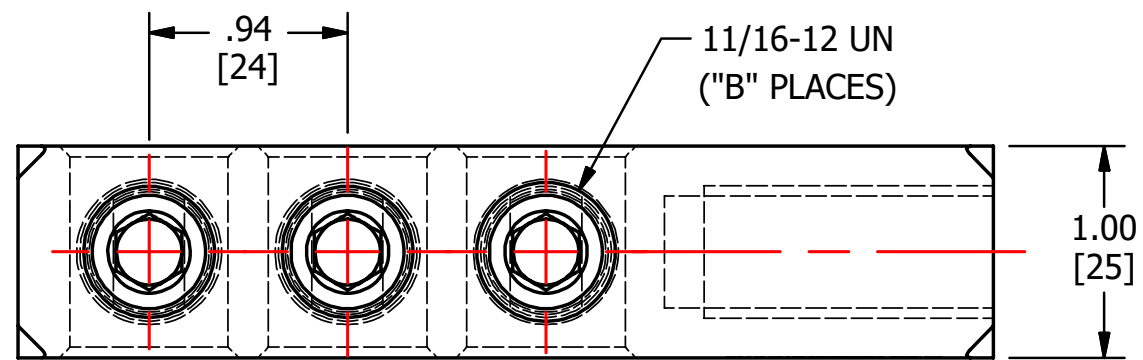
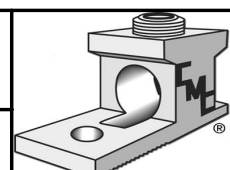


S.NO	CATALOG NUMBER	L	B
1	NSM350-2I	3.68 [93]	2
2	NSM350-2	3.68 [93]	2
3	NSM350-3I	4.62 [117]	3
4	NSM350-3	4.62 [117]	3
5	NSM350-4I	5.56 [141]	4
6	NSM350-4	5.56 [141]	4
7	NSM350-6I	7.44 [189]	6
8	NSM350-6	7.44 [189]	6
9	NSM350-8I	9.32 [237]	8
10	NSM350-8	9.32 [237]	8



					TO ORDER CMC PRODUCTS CALL 1-513-860-4455	DRAWN BY: TS	NAME OF PART:	CAT. NO.:
						03/20/19	STUD MOUNT CONNECTOR ASSEMBLY	SEE TABLE
					FOR PRODUCT INFO: http://www.cmclugs.com	CHECKED BY:	DWG NO:	A
A	NEW DRAWING CREATED		03/20/19	TS			C58701201-S (CHARTED)	
REV.	DESCRIPTION	ECN	DATE	INIT.	DRAWING NOT TO SCALE		SHEET NO: 1 OF 1	HAMILTON, OHIO

THIS INFORMATION IS PROPRIETARY TO CONNECTOR MFG. CO. AND IS NOT TO BE DISCLOSED OUTSIDE OF CONNECTOR MFG. CO. WITHOUT A CONFIDENTIALITY AGREEMENT



CONNECTOR MANUFACTURING CO.

HAMILTON, OHIO