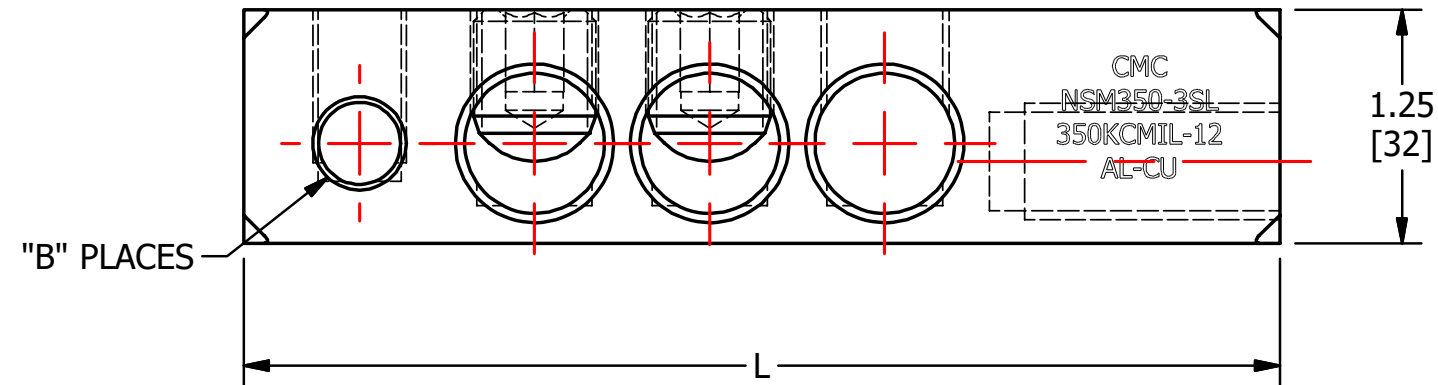
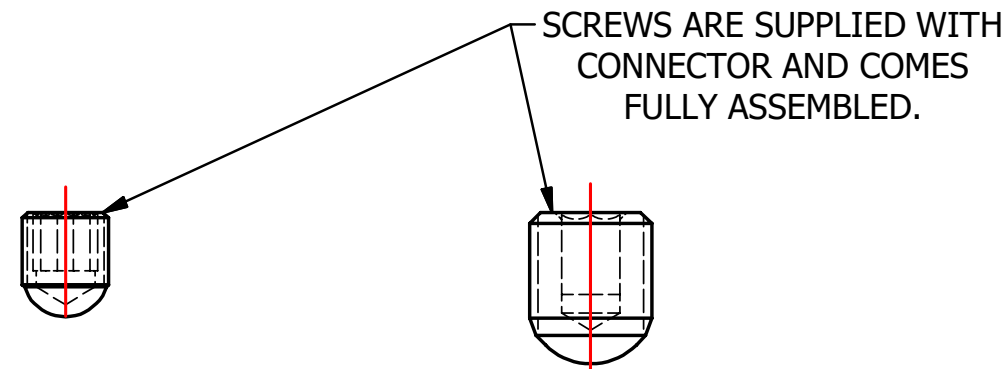
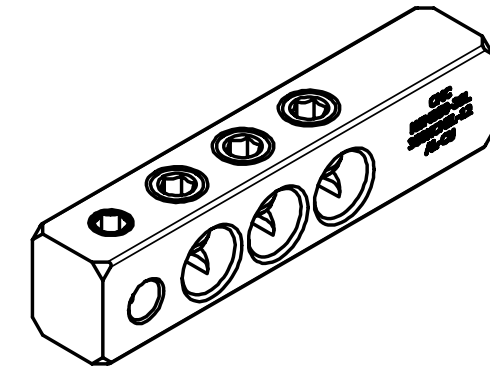
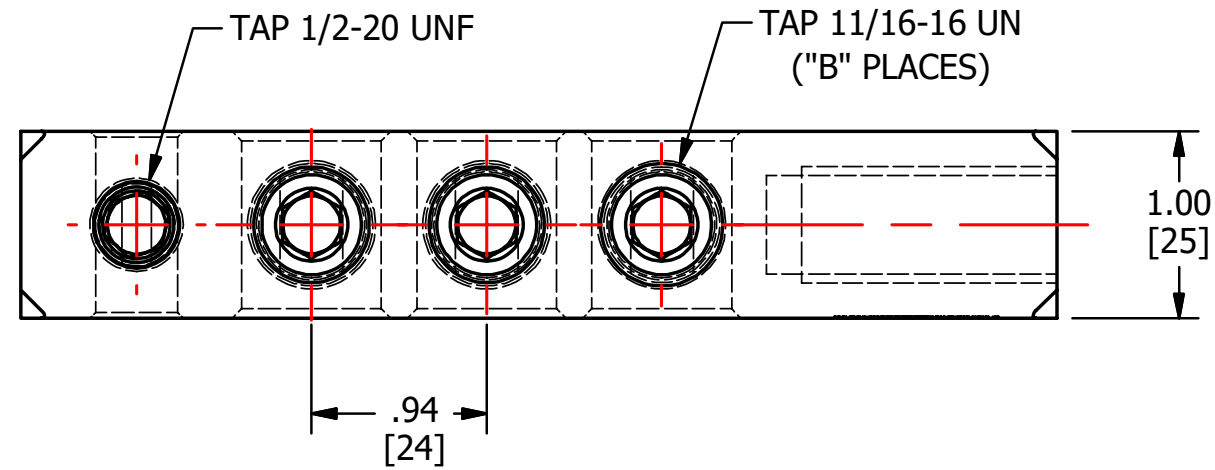


S.NO	CATALOG NUMBER	L	B
1	NSM350-2SL	4.62 [117]	2
2	NSM350-2SLI	4.62 [117]	2
3	NSM350-3SL	5.56 [141]	3
4	NSM350-3SLI	5.56 [141]	3
5	NSM350-4SL	6.50 [165]	4
6	NSM350-4SLI	6.50 [165]	4
7	NSM350-6SL	8.38 [213]	6
8	NSM350-6SLI	8.38 [213]	6
9	NSM350-8SL	10.26 [261]	8
10	NSM350-8SLI	10.26 [261]	8

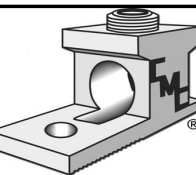


					TO ORDER CMC PRODUCTS CALL 1-513-860-4455	DRAWN BY: TS 03/20/19	NAME OF PART: STUD MOUNT CONNECTOR ASSEMBLY	CAT. NO.: SEE TABLE
					FOR PRODUCT INFO: http://www.cmclugs.com	CHECKED BY:	DWG NO: C58701209-S (CHARTED)	A
A	NEW DRAWING CREATED		03/20/19	TS		DRAWING NOT TO SCALE		SHEET NO: 1 OF 1
REV.	DESCRIPTION	ECN	DATE	INIT.				

THIS INFORMATION IS PROPRIETARY TO CONNECTOR MFG. CO. AND IS NOT TO BE DISCLOSED OUTSIDE OF CONNECTOR MFG. CO. WITHOUT A CONFIDENTIALITY AGREEMENT



CONNECTOR MANUFACTURING CO.



HAMILTON, OHIO