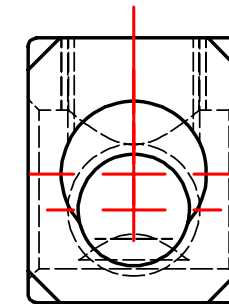
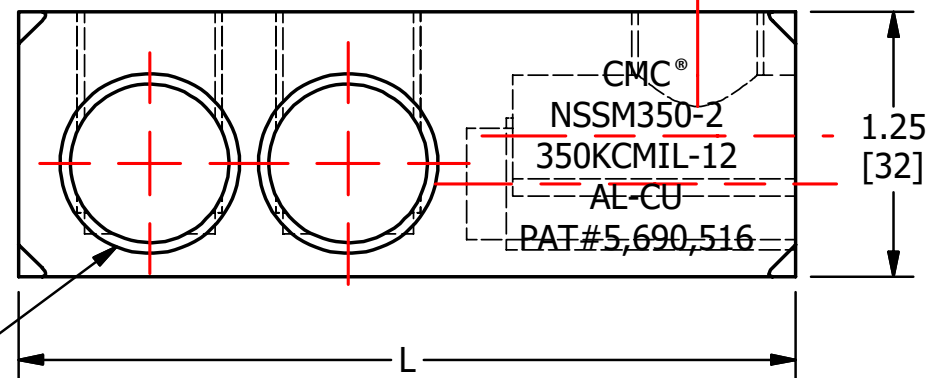
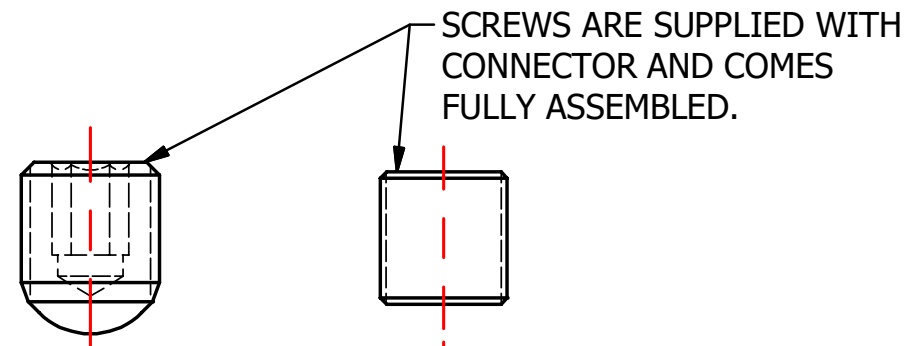
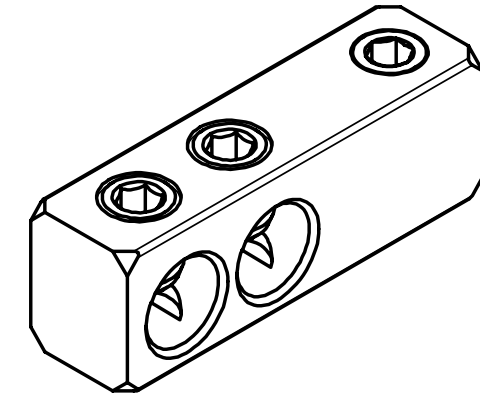
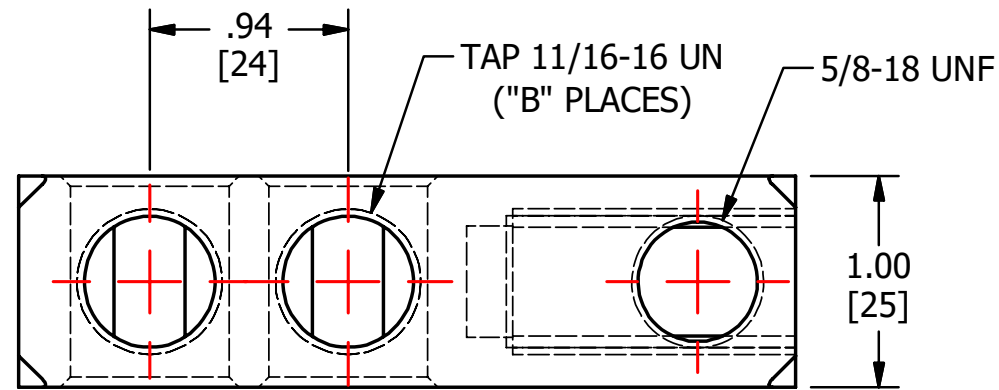


CATALOG NUMBER	L	B
NSSM350-2	3.60 [91]	2
NSSM350-2I	3.60 [91]	2
NSSM350-3	4.62 [117]	3
NSSM350-3I	4.62 [117]	3
NSSM350-4	5.56 [141]	4
NSSM350-4I	5.56 [141]	4
NSSM350-6	7.44 [189]	6
NSSM350-6I	7.44 [189]	6
NSSM350-8	9.32 [237]	8
NSSM350-8I	9.32 [237]	8



					TO ORDER CMC PRODUCTS CALL 1-513-860-4455	DRAWN BY: TS 11/19/18	NAME OF PART: STUD MOUNT CONNECTOR	CAT. NO.: SEE TABLE
					FOR PRODUCT INFO: http://www.cmclugs.com	CHECKED BY:	DWG NO: C58701215-S (CHARTED)	A
A	NEW DRAWING CREATED		11/19/18	TS		DRAWING NOT TO SCALE		SHEET NO: 1 OF 1
REV.	DESCRIPTION	ECN	DATE	INIT.				

THIS INFORMATION IS PROPRIETARY TO CONNECTOR MFG. CO. AND IS NOT TO BE DISCLOSED OUTSIDE OF CONNECTOR MFG. CO. WITHOUT A CONFIDENTIALITY AGREEMENT



CONNECTOR MANUFACTURING CO.

HAMILTON, OHIO

