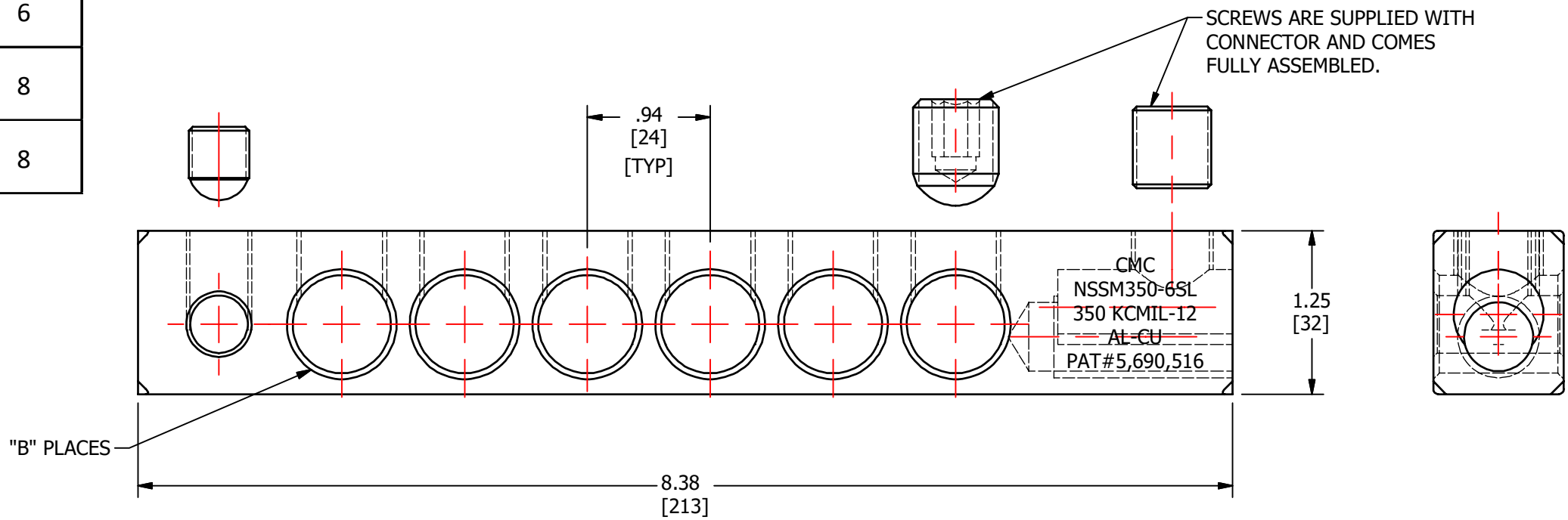
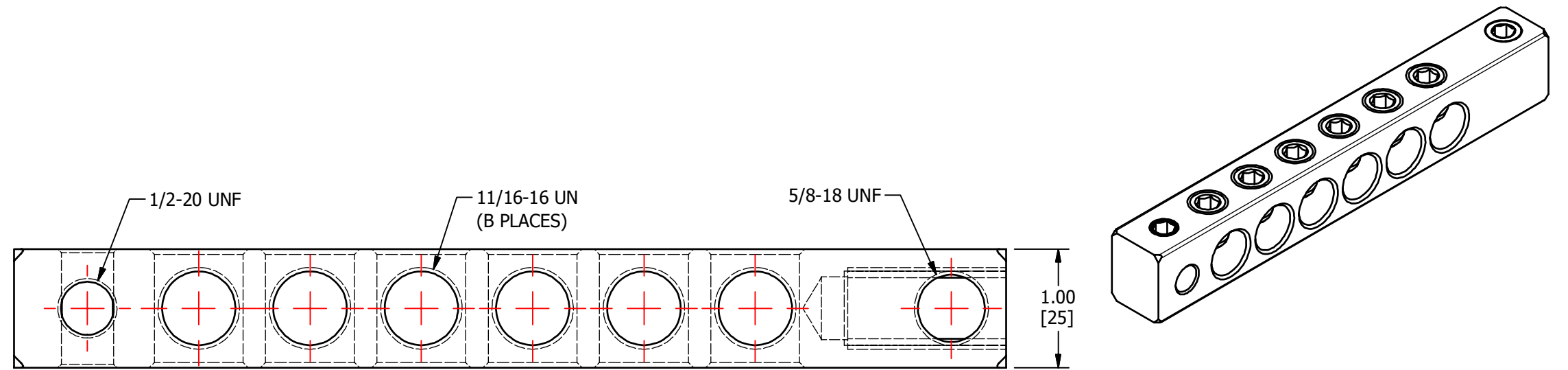




S.NO	CATALOG NUMBER	L	B
1	NSSM350-2SL	4.62 [117]	2
2	NSSM350-2SLI	4.62 [117]	2
3	NSSM350-3SL	5.56 [141]	3
4	NSSM350-3SLI	5.56 [141]	3
5	NSSM350-4SL	6.50 [165]	4
6	NSSM350-4SLI	6.50 [165]	4
7	NSSM350-6SL	8.38 [213]	6
8	NSSM350-6SLI	8.38 [213]	6
9	NSSM350-8SL	10.26 [261]	8
10	NSSM350-8SLI	10.26 [261]	8



				DRAWN BY: TS 11/21/18		NAME OF PART: STUD MOUNT CONNECTOR		CAT. NO.: NSSM350-6SL	
				CHECKED BY:		DWG NO: C58701227-S (CHARTED)		B	
A NEW DRAWING CREATED				11/21/18		TS		DRAWING NOT TO SCALE	
REV.	DESCRIPTION	ECN	DATE	INIT.	FOR PRODUCT INFO: http://www.cmcclugs.com		SHEET NO: 1 OF 1		  

THIS INFORMATION IS PROPRIETARY TO CONNECTOR MFG. CO. AND IS NOT TO BE DISCLOSED OUTSIDE OF CONNECTOR MFG. CO. WITHOUT A CONFIDENTIALITY AGREEMENT