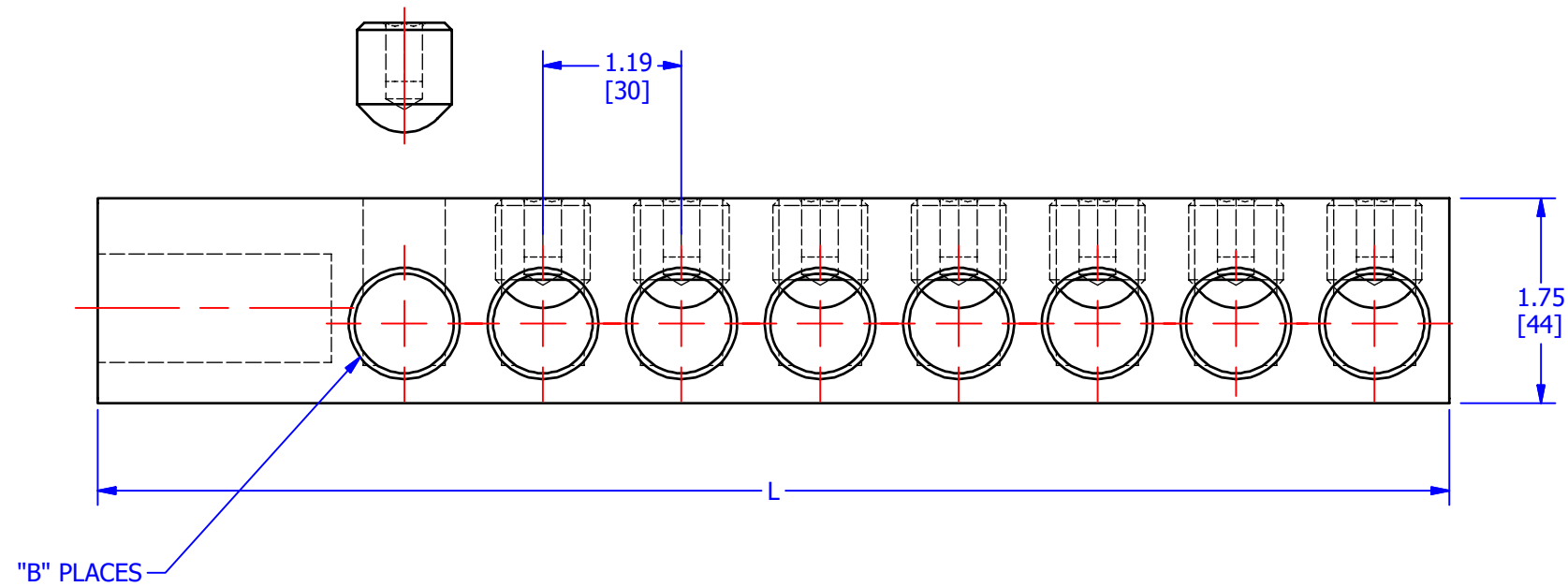
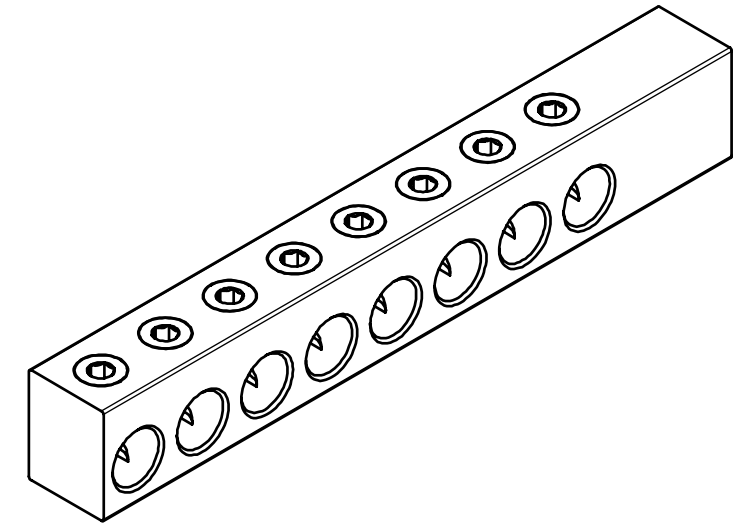
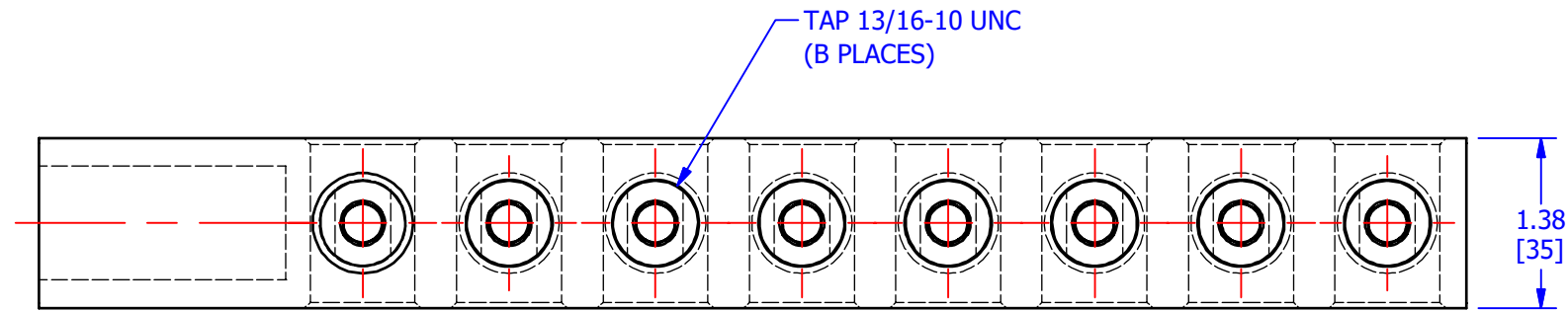


S.NO	CATALOG NUMBER	L	B
1	NSM500-2	4.66 [118]	2
2	NSM500-2I	4.66 [118]	2
3	NSM500-3I	5.85 [149]	3
4	NSM500-3	5.85 [149]	3
5	NSM500-4I	7.04 [179]	4
6	NSM500-4	7.04 [179]	4
7	NSM500-6	9.42 [239]	6
8	NSM500-6I	9.42 [239]	6
9	NSM500-8I	11.57 [294]	8
10	NSM500-8	11.57 [294]	8



				DRAWN BY: TS		NAME OF PART: <b>STUD MOUNT CONNECTOR</b>		CAT. NO.: SEE TABLE	
				CHECKED BY:		DWG NO.: C58701236-S (CHARTED)		B	
A NEW DRAWING CREATED				12-21-18		TS		DRAWING NOT TO SCALE	
REV.	DESCRIPTION	ECN	DATE	INIT.	FOR PRODUCT INFO: <a href="http://www.cmclugs.com">http://www.cmclugs.com</a>		SHEET NO: 1 OF 1		

THIS INFORMATION IS PROPRIETARY TO CONNECTOR MFG. CO. AND IS NOT TO BE DISCLOSED OUTSIDE OF CONNECTOR MFG. CO. WITHOUT A CONFIDENTIALITY AGREEMENT



**CONNECTOR MANUFACTURING CO.**

HAMILTON, OHIO