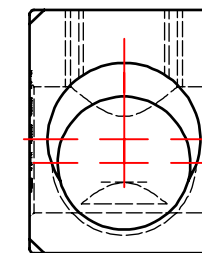
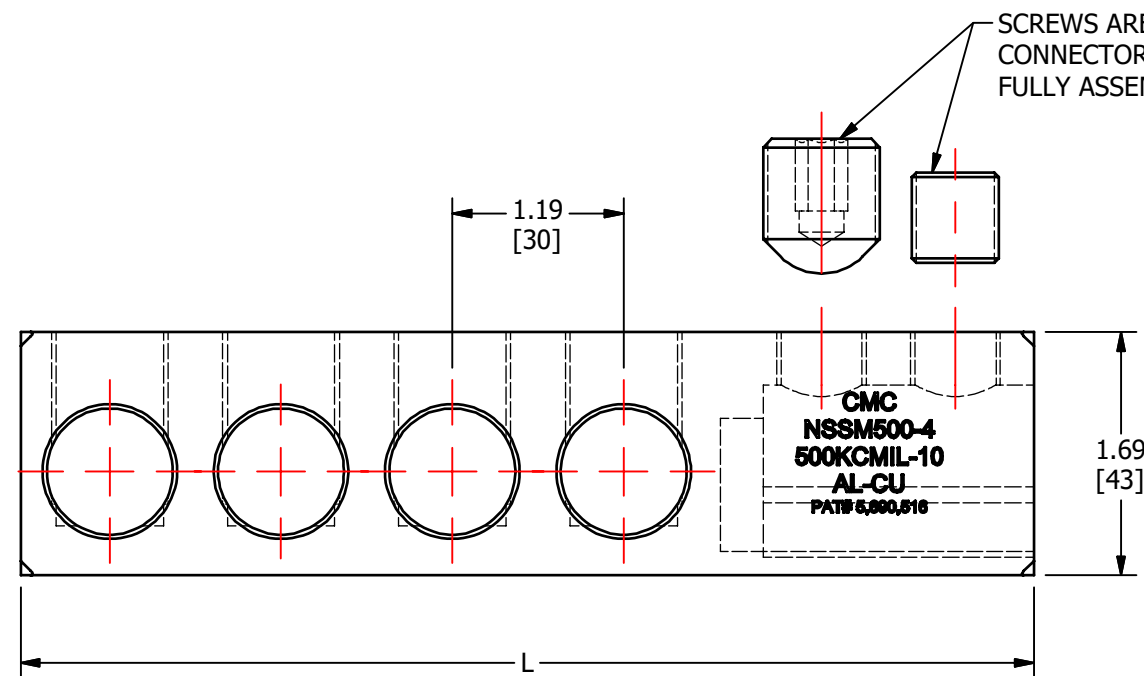
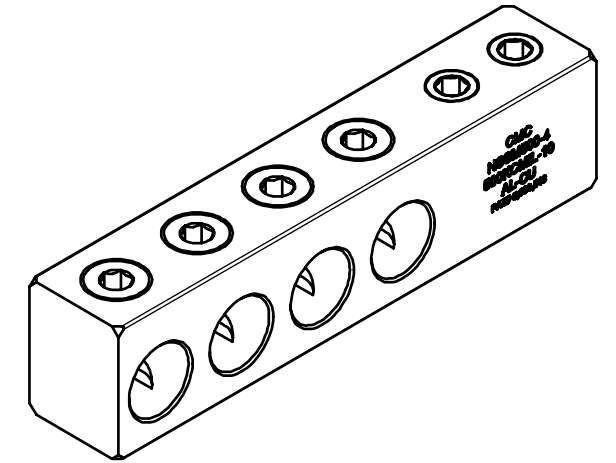
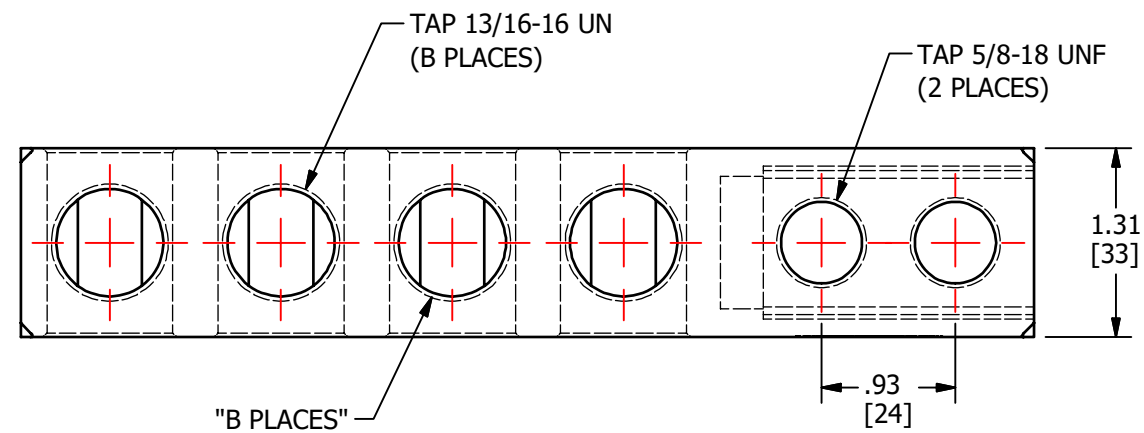


S.NO	CATALOG NUMBER	L	B
1	NSSM500-2I	4.46 [113]	2
2	NSSM500-2	4.46 [113]	2
3	NSSM500-3I	5.64 [143]	3
4	NSSM500-3	5.64 [143]	3
5	NSSM500-4I	7.04 [179]	4
6	NSSM500-4	7.04 [179]	4
7	NSSM500-6I	9.42 [239]	6
8	NSSM500-6	9.42 [239]	6
9	NSSM500-8I	11.80 [300]	8
10	NSSM500-8	11.80 [300]	8



						TO ORDER CMC PRODUCTS CALL 1-513-860-4455	DRAWN BY: TS 11/28/18	NAME OF PART: STUD MOUNT CONNECTOR	CAT. NO.: SEE TABLE
						FOR PRODUCT INFO: http://www.cmclugs.com	CHECKED BY:	DWG NO: C58701247-S (CHARTED)	B
A	NEW DRAWING CREATED		11/28/18	TS			DRAWING NOT TO SCALE		SHEET NO: 1 OF 1
REV.	DESCRIPTION	ECN	DATE	INIT.					

THIS INFORMATION IS PROPRIETARY TO CONNECTOR MFG. CO. AND IS NOT TO BE DISCLOSED OUTSIDE OF CONNECTOR MFG. CO. WITHOUT A CONFIDENTIALITY AGREEMENT



CONNECTOR MANUFACTURING CO.

HAMILTON, OHIO

