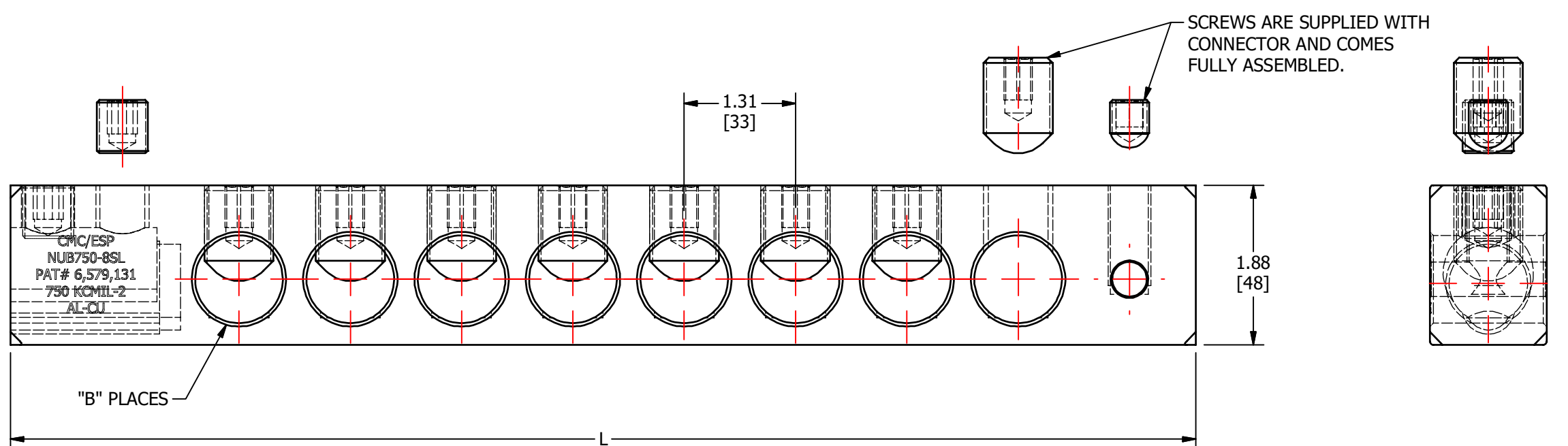
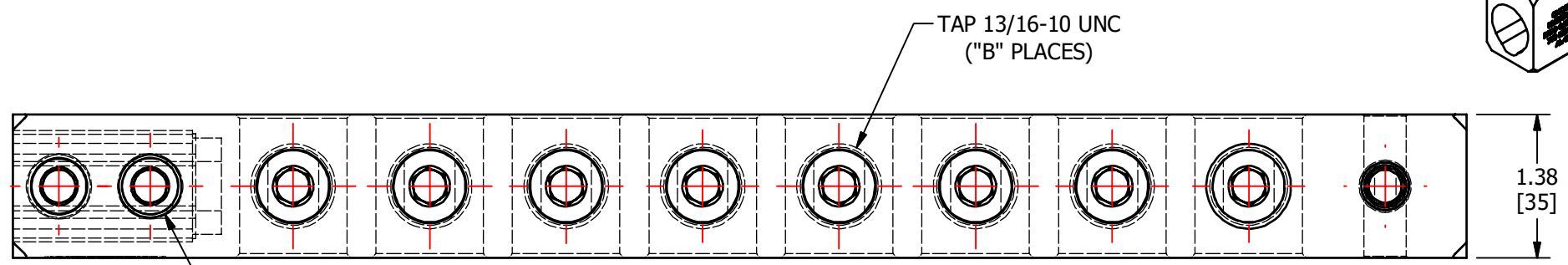
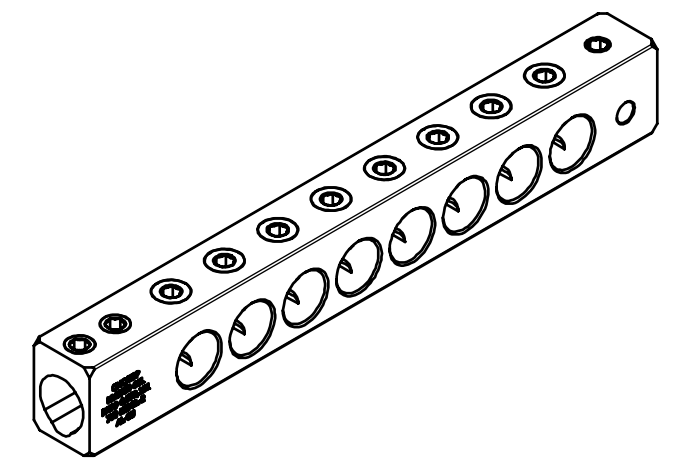


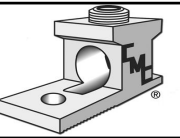


S.NO	CATALOG NUMBER	L	B
1	NUB750-4SL	8.71 [221]	4
2	NUB750-4SLI	8.71 [221]	4
3	NUB750-6SL	11.33 [288]	6
4	NUB750-6SLI	11.33 [288]	6
5	NUB750-8SLI	13.95 [354]	8
6	NUB750-8SL	13.95 [354]	8

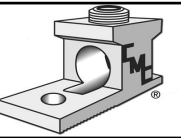


				DRAWN BY: TS 02/06/19		NAME OF PART: STUD MOUNT CONNECTOR		CAT. NO.: SEE TABLE	
				CHECKED BY:		DWG NO: C58701399I-S (CHARTED)		B	
A NEW DRAWING CREATED				02/06/19		TS		DRAWING NOT TO SCALE	
REV.	DESCRIPTION	ECN	DATE	INIT.	FOR PRODUCT INFO: <a href="http://www.cmcclugs.com">http://www.cmcclugs.com</a>		SHEET NO: 1 OF 1		  

THIS INFORMATION IS PROPRIETARY TO CONNECTOR MFG. CO. AND IS NOT TO BE DISCLOSED OUTSIDE OF CONNECTOR MFG. CO. WITHOUT A CONFIDENTIALITY AGREEMENT



CONNECTOR MANUFACTURING CO.



HAMILTON, OHIO