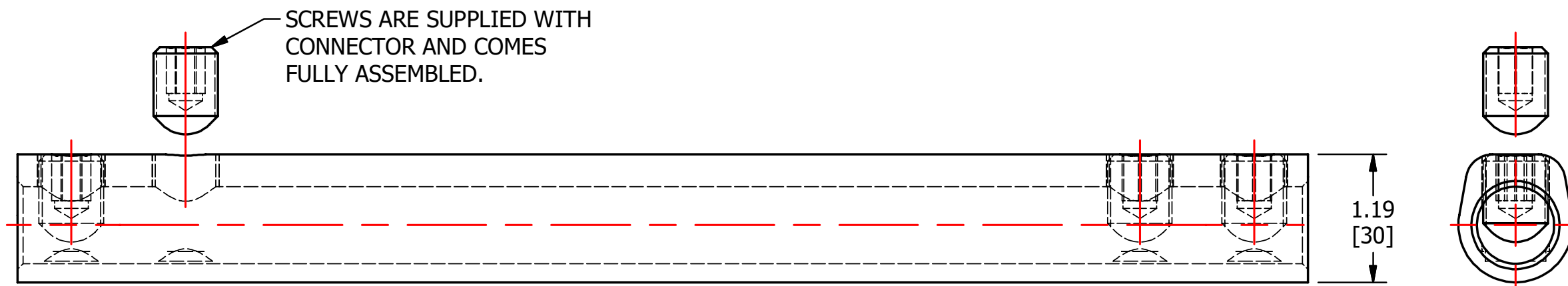
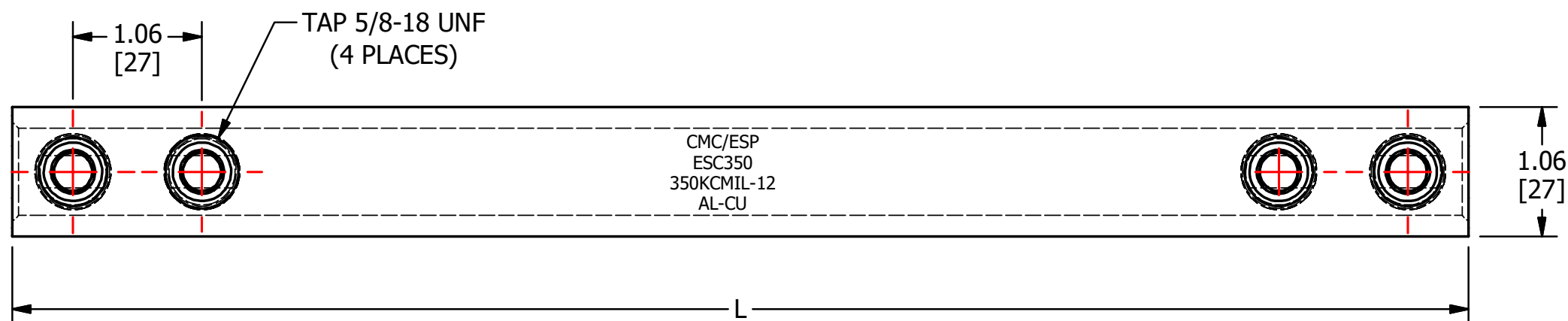
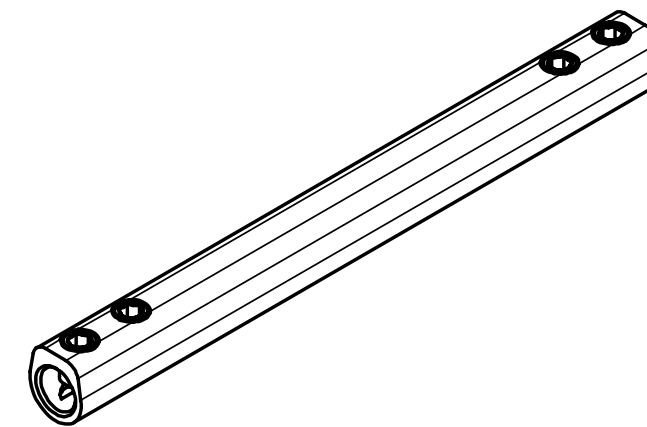
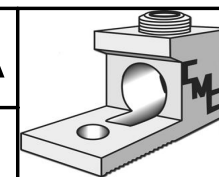


S.NO	CATALOG NUMBER	L
1	ESC350-12I	12 [305]
2	ESC350-18I	18 [457]
3	ESC350-24I	24 [610]



FINISH: BLACK PLASTISOL

					TO ORDER CMC PRODUCTS CALL 1-513-860-4455	DRAWN BY: TS 02/22/19	NAME OF PART: EXTENDED SPLICE CONNECTOR ASSEMBLY	CAT. NO.: SEE TABLE
					FOR PRODUCT INFO: http://www.cmclugs.com	CHECKED BY:	DWG NO: C58701477I-S (CHARTED)	A
A	NEW DRAWING CREATED		02/12/19	TS		DRAWING NOT TO SCALE		SHEET NO: 1 OF 1
REV.	DESCRIPTION	ECN	DATE	INIT.				



THIS INFORMATION IS PROPRIETARY TO CONNECTOR MFG. CO. AND IS NOT TO BE DISCLOSED OUTSIDE OF CONNECTOR MFG. CO. WITHOUT A CONFIDENTIALITY AGREEMENT



CONNECTOR MANUFACTURING CO.

HAMILTON, OHIO