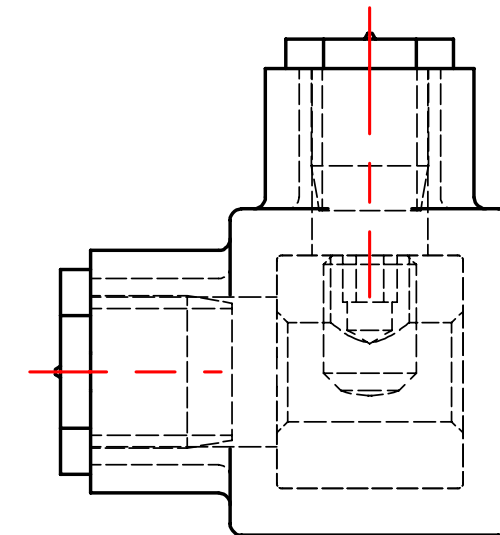
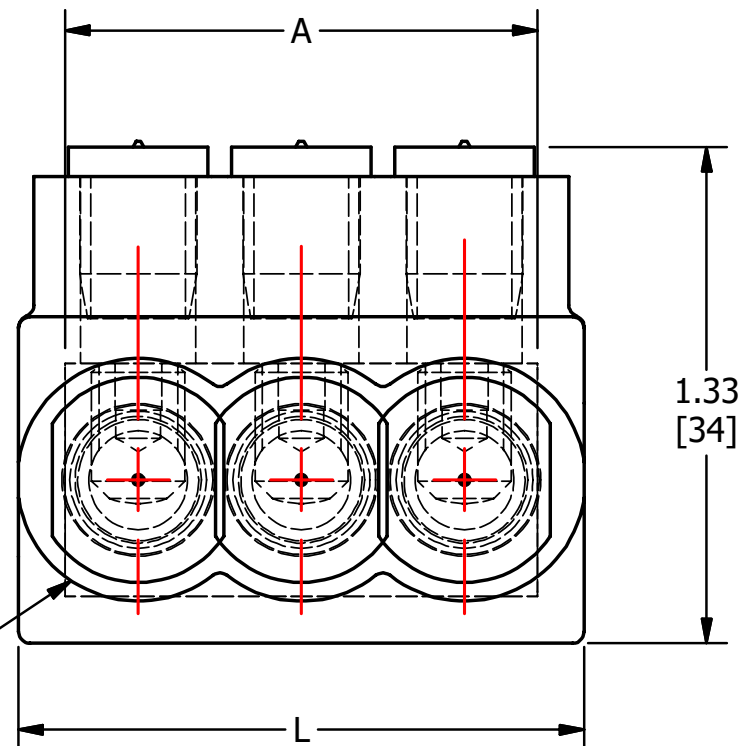
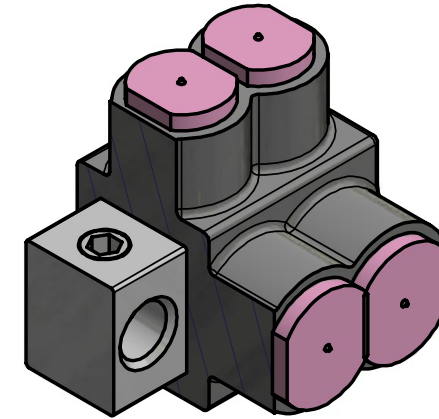
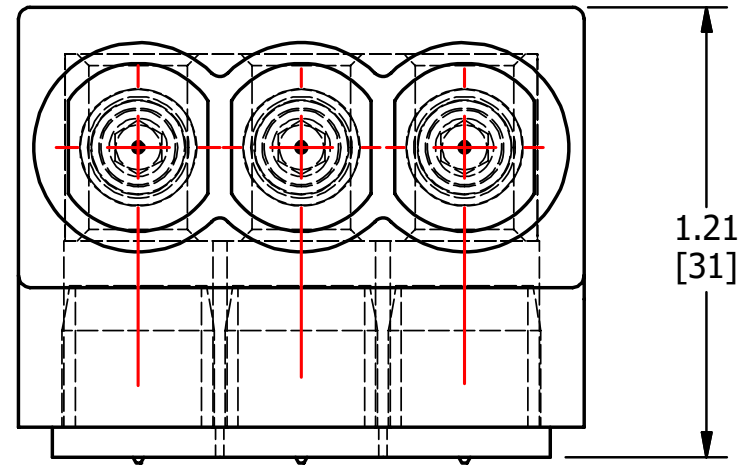


S.NO	CATALOG NUMBER	L	A	B
1	NACC4-2S	1.08 [27]	0.83 [21]	2
2	NACC4-3S	1.52 [39]	1.27 [32]	3
3	NACC4-4S	1.96 [50]	1.71 [43]	4
4	NACC4-5S	2.39 [61]	2.14 [54]	5
5	NACC4-6S	2.83 [72]	2.58 [66]	6
6	NACC4-8S	3.71 [94]	3.46 [88]	8

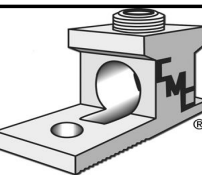


					TO ORDER CMC PRODUCTS CALL 1-513-860-4455	DRAWN BY: TS 01/09/19	NAME OF PART: ENCAPSULATED BAR ASSEMBLY	CAT. NO.: SEE TABLE
					FOR PRODUCT INFO: <a href="http://www.cmclugs.com">http://www.cmclugs.com</a>	CHECKED BY:	DWG NO: C58701484-S (CHARTED)	A
A	NEW DRAWING CREATED		01/09/19	TS		DRAWING NOT TO SCALE		SHEET NO: 1 OF 1
REV.	DESCRIPTION	ECN	DATE	INIT.				

THIS INFORMATION IS PROPRIETARY TO CONNECTOR MFG. CO. AND IS NOT TO BE DISCLOSED OUTSIDE OF CONNECTOR MFG. CO. WITHOUT A CONFIDENTIALITY AGREEMENT



**CONNECTOR MANUFACTURING CO.**



HAMILTON, OHIO