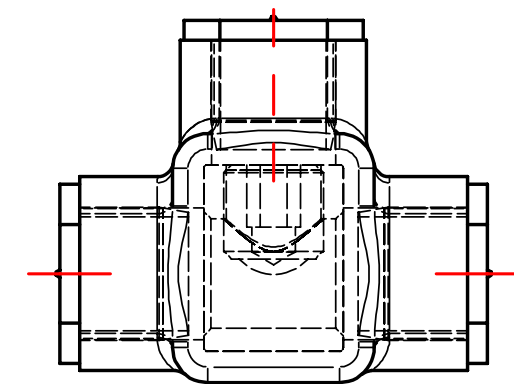
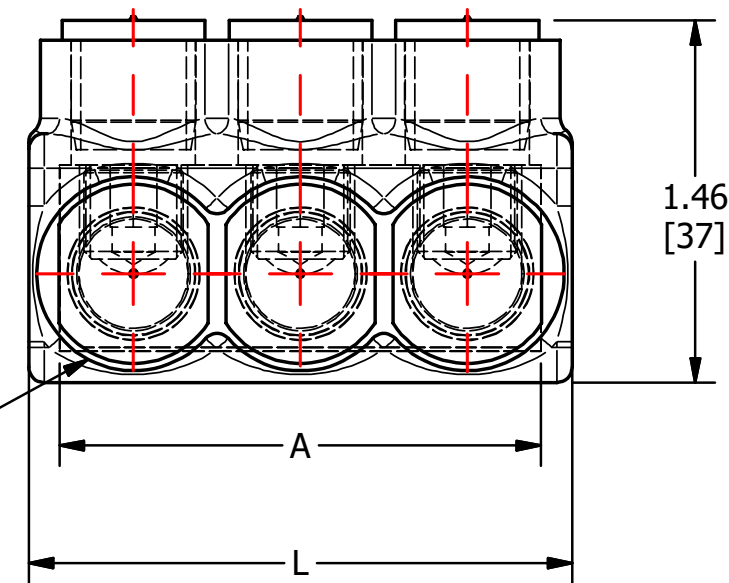
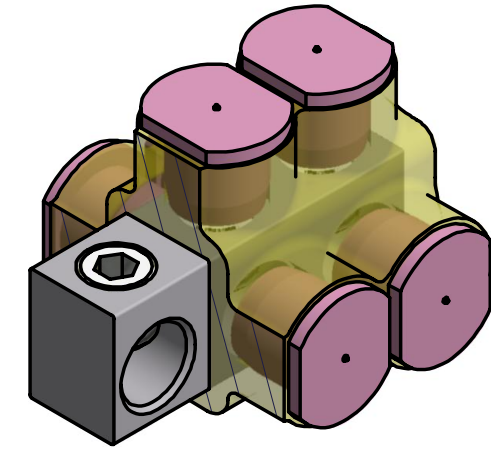
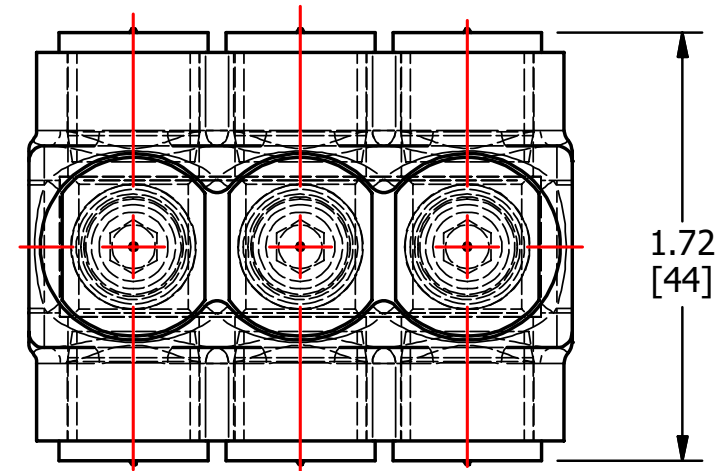
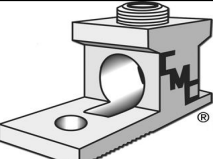


S.NO	CATALOG NUMBER	A	L	B
1	NACC2/0-2B	1.27 [32]	1.52 [39]	2
	NACC2/0-3B	1.94 [49]	2.19 [56]	3
2	NACC2/0-4B	2.61 [66]	2.86 [73]	4
3	NACC2/0-5B	3.28 [83]	3.53 [90]	5
4	NACC2/0-6B	3.95 [100]	4.20 [107]	6
5	NACC2/0-8B	5.30 [135]	5.55 [141]	8



					TO ORDER CMC PRODUCTS CALL 1-513-860-4455  FOR PRODUCT INFO: <a href="http://www.cmclugs.com">http://www.cmclugs.com</a>	DRAWN BY: <b>TS</b> 12/13/18  CHECKED BY:	NAME OF PART: <b>ENCAP BAR ASSEMBLY</b>  DWG NO: <b>C58701492-S (CHARTED)</b>	CAT. NO.: <b>SEE TABLE</b>
<b>A</b>	NEW DRAWING CREATED		12/13/18	TS		DRAWING NOT TO SCALE	SHEET NO: 1 OF 1	<b>A</b> 
REV.	DESCRIPTION	ECN	DATE	INIT.				

THIS INFORMATION IS PROPRIETARY TO CONNECTOR MFG. CO. AND IS NOT TO BE DISCLOSED OUTSIDE OF CONNECTOR MFG. CO. WITHOUT A CONFIDENTIALITY AGREEMENT



**CONNECTOR MANUFACTURING CO.**

HAMILTON, OHIO