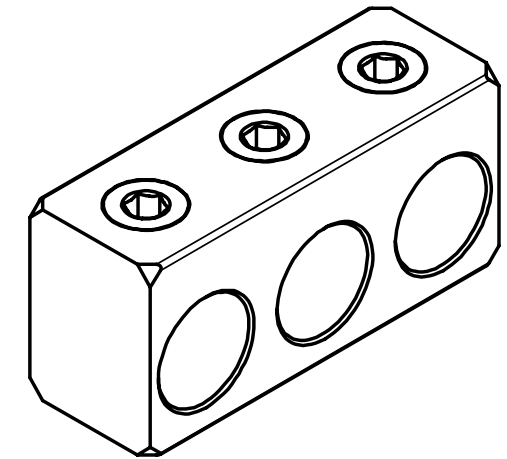
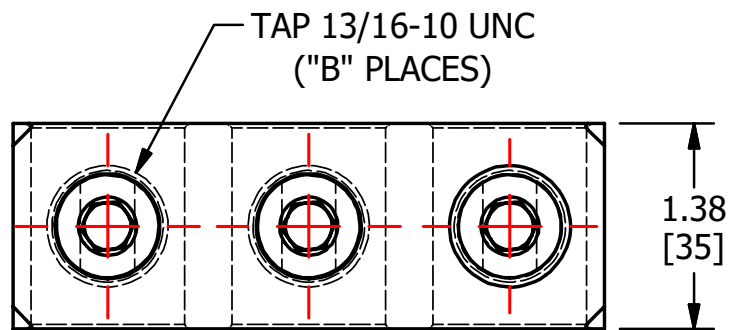
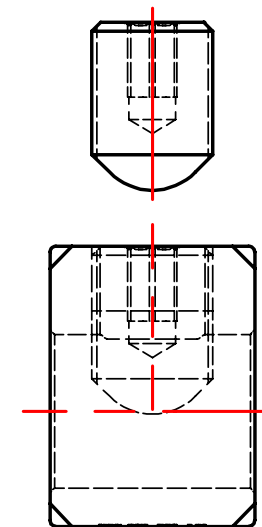
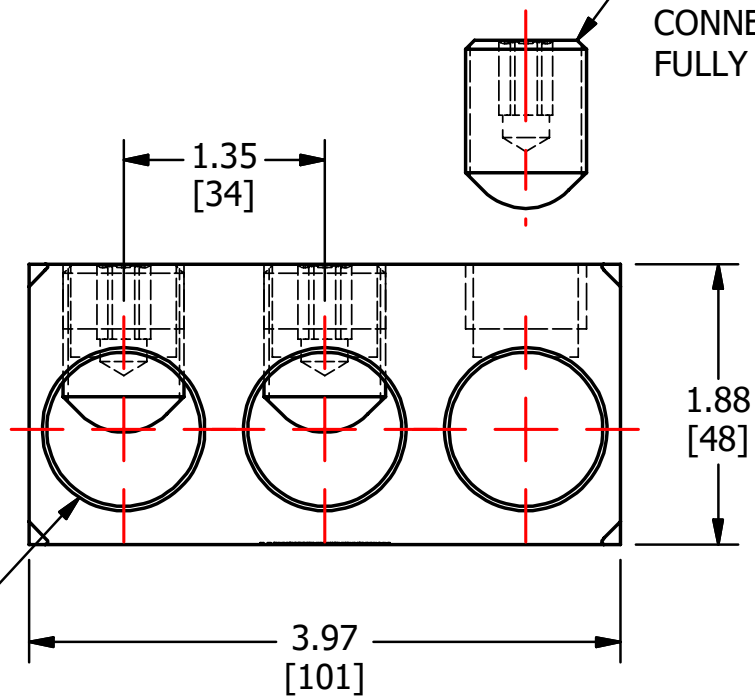


S.NO	CATALOG NUMBER	L	B
1	NA750-3	3.97 [101]	3
2	NA750-3I	3.97 [101]	3
3	NA750-4	5.32 [135]	4
4	NA750-4I	5.32 [135]	4
5	NA750-5	6.67 [169]	5
6	NA750-5I	6.67 [169]	5
7	NA750-6	8.02 [204]	6
8	NA750-6I	8.02 [204]	6
9	NA750-8	10.72 [272]	8
10	NA750-8I	10.72 [272]	8



SCREWS ARE SUPPLIED WITH CONNECTOR AND COMES FULLY ASSEMBLED.



CMC/ESP
NA750-3
750KCMIL-2
AL-CU

					TO ORDER CMC PRODUCTS CALL 1-513-860-4455	DRAWN BY: TS 03/04/19	NAME OF PART: PEDESTAL CONNECTOR ASSEMBLY	CAT. NO.: SEE TABLE
					FOR PRODUCT INFO: http://www.cmclugs.com	CHECKED BY:	DWG NO: C58701621-S (CHARTED)	A
A	NEW DRAWING CREATED		02/12/19	TS		DRAWING NOT TO SCALE		SHEET NO: 1 OF 1
REV.	DESCRIPTION	ECN	DATE	INIT.				

