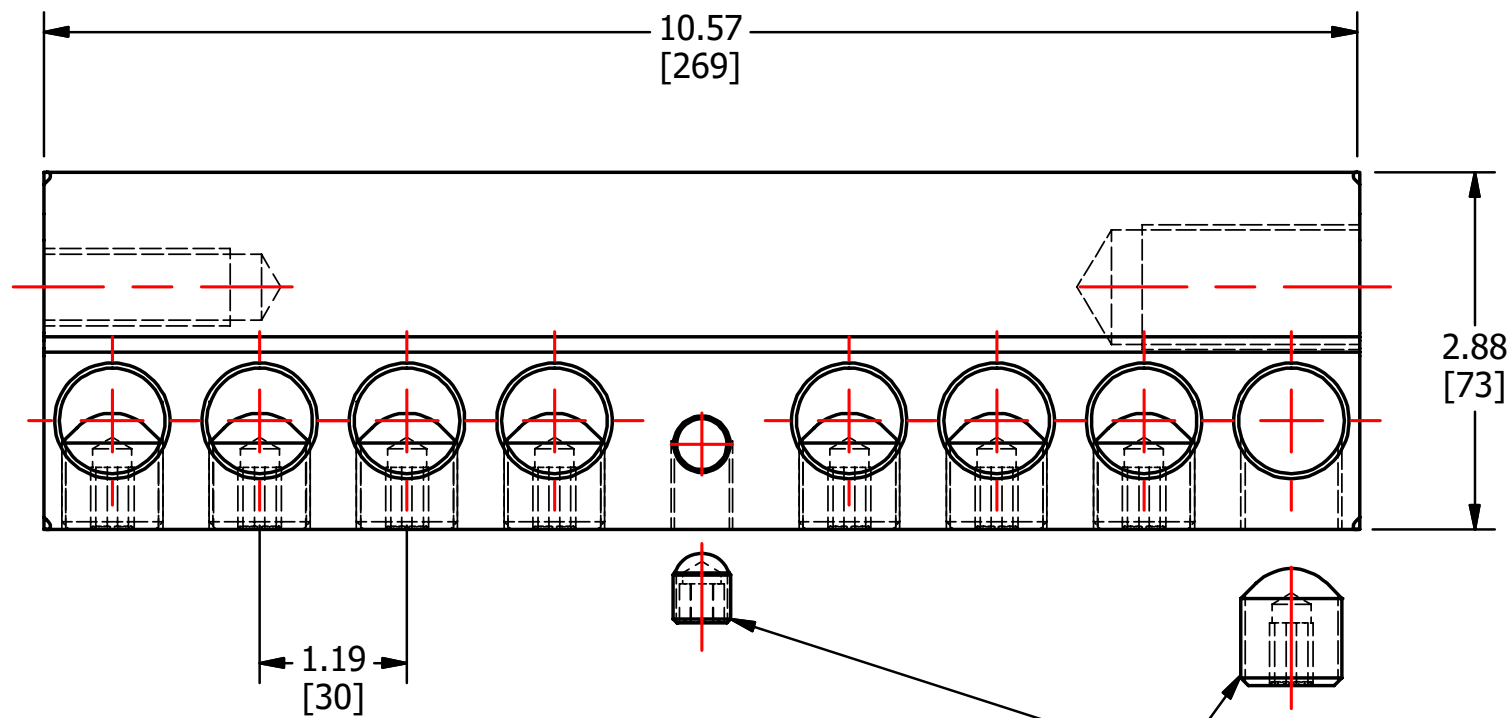
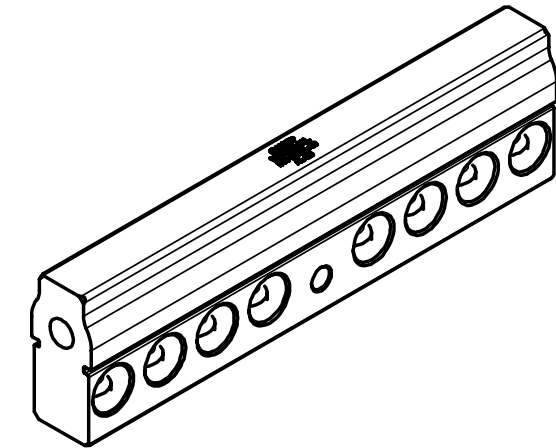
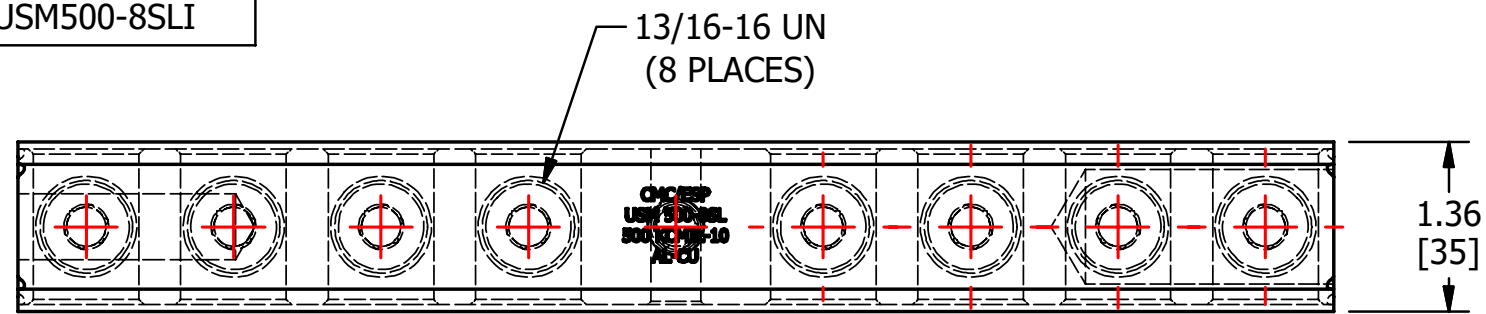
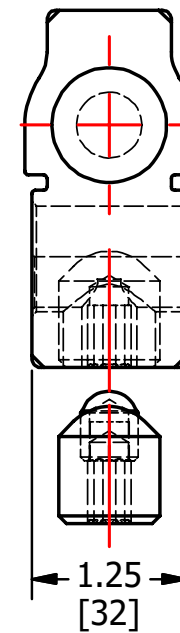


S.NO	CATALOG NUMBER
1	USM500-8SL
2	USM500-8SLI



MARKING

CMC/ESP
 USM 500-8SL
 500 KCMIL-10
 AL-CU



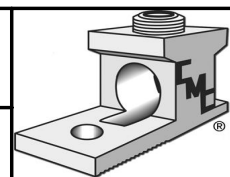
SCREWS ARE SUPPLIED WITH
 CONNECTOR AND COMES
 FULLY ASSEMBLED.

					TO ORDER CMC PRODUCTS CALL 1-513-860-4455	DRAWN BY: TS 02/11/19	NAME OF PART: UNIVERSAL STUD CONNECTOR	CAT. NO.: SEE TABLE
					FOR PRODUCT INFO: http://www.cmclugs.com	CHECKED BY:	DWG NO: C58701625I-S	A
A	NEW DRAWING CREATED		02/11/19	TS		DRAWING NOT TO SCALE		SHEET NO: 1 OF 1
REV.	DESCRIPTION	ECN	DATE	INIT.				

THIS INFORMATION IS PROPRIETARY TO CONNECTOR MFG. CO. AND IS NOT TO BE DISCLOSED OUTSIDE OF CONNECTOR MFG. CO. WITHOUT A CONFIDENTIALITY AGREEMENT



CONNECTOR MANUFACTURING CO.



HAMILTON, OHIO