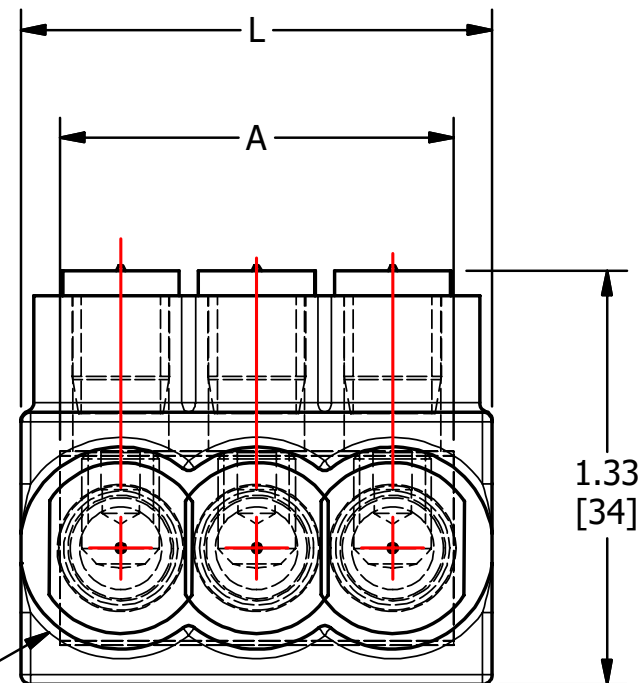
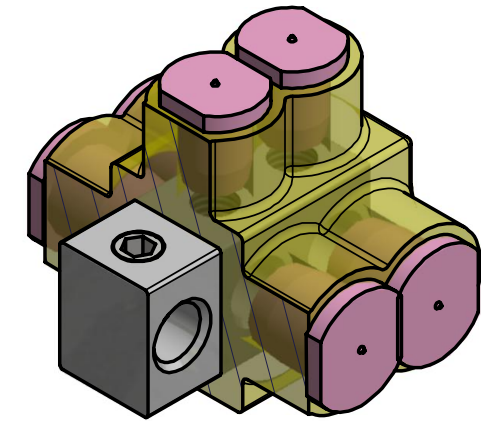
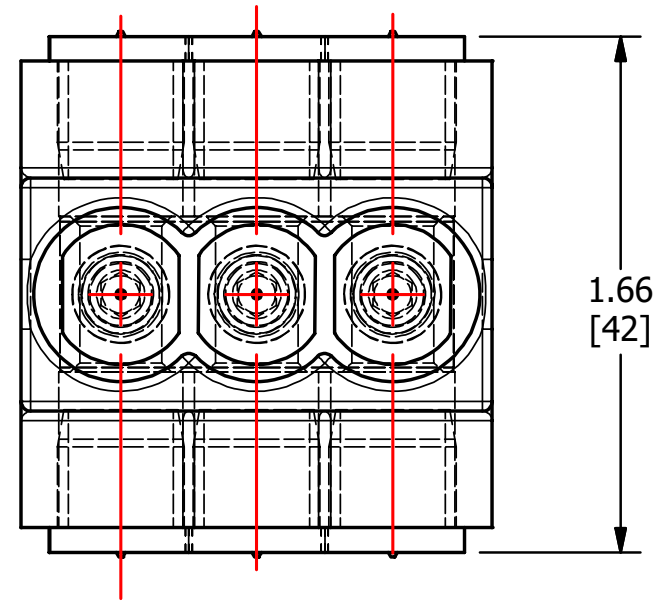
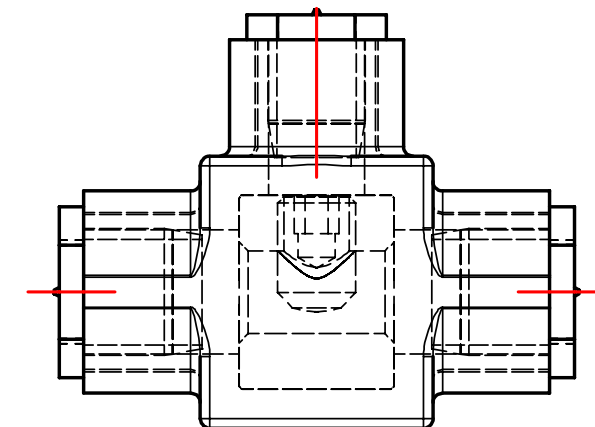


S.NO	CATALOG NUMBER	L	A	B
1	NACC4-2B	1.08 [27]	.83 [21]	2
2	NACC4-3B	1.52 [39]	1.27 [32]	3
3	NACC4-4B	1.96 [50]	1.70 [4.]	4
4	NACC4-5B	2.39 [61]	2.14 [54]	5
5	NACC4-6B	2.83 [72]	2.58 [66]	6
6	NACC4-8B	3.70 [94]	3.46 [88]	8



"B" PLACES

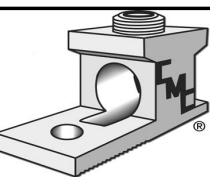


					TO ORDER CMC PRODUCTS CALL 1-513-860-4455	DRAWN BY: TS 12/13/18	NAME OF PART: ENCAP BAR ASSEMBLY	CAT. NO.: SEE TABLE
					FOR PRODUCT INFO: http://www.cmclugs.com	CHECKED BY:	DWG NO: C58701667-S (CHARTED)	A
A	NEW DRAWING CREATED		12/13/18	TS		DRAWING NOT TO SCALE		SHEET NO: 1 OF 1
REV.	DESCRIPTION	ECN	DATE	INIT.				

THIS INFORMATION IS PROPRIETARY TO CONNECTOR MFG. CO. AND IS NOT TO BE DISCLOSED OUTSIDE OF CONNECTOR MFG. CO. WITHOUT A CONFIDENTIALITY AGREEMENT



CONNECTOR MANUFACTURING CO.



HAMILTON, OHIO