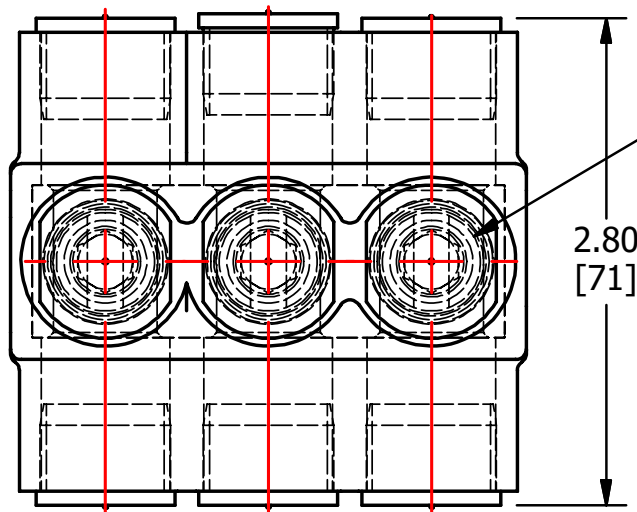
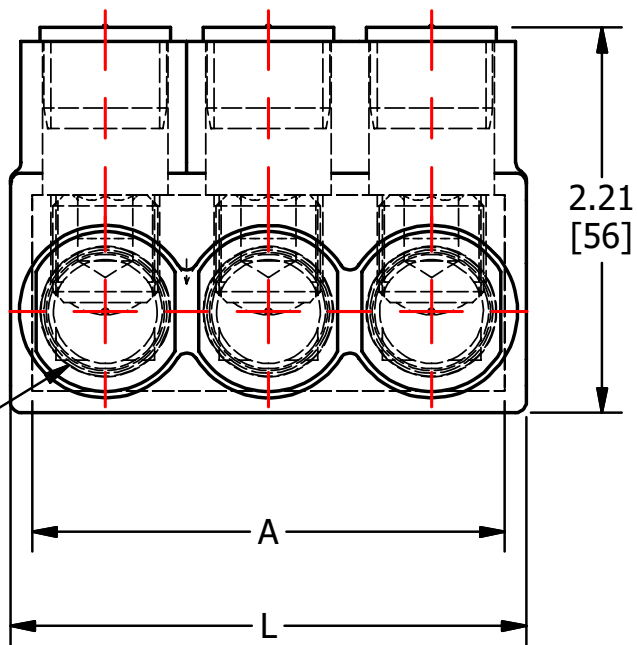
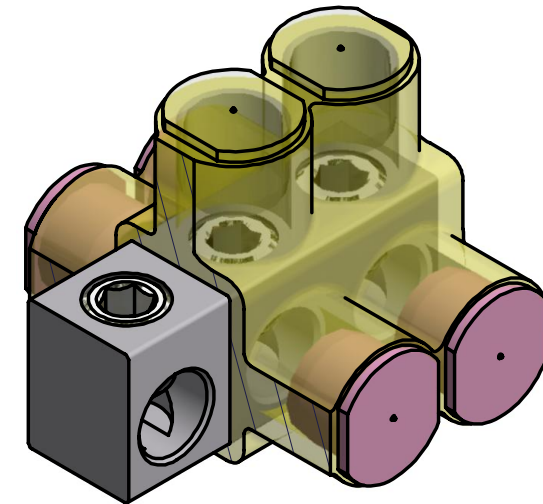


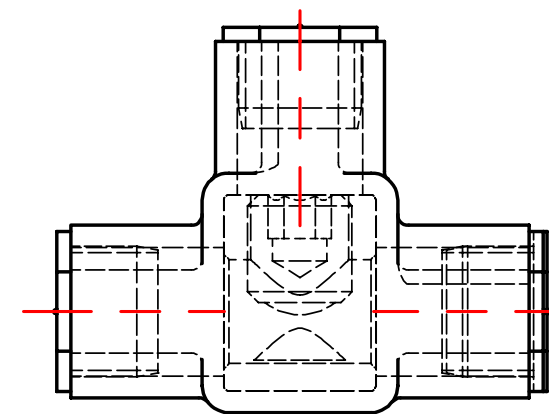
S.NO	CATALOG NUMBER	A	L	B
1	NACC250-2B	1.78 [45]	2.03 [52]	2
2	NACC250-3B	2.72 [69]	2.97 [75]	3
3	NACC250-4B	3.66 [93]	3.91 [99]	4
4	NACC250-6B	5.53 [141]	5.78 [147]	6
5	NACC250-8B	7.41 [188]	7.66 [195]	8



TAP 5/8-18 UNF
("B" PLACES)



"B" PLACES

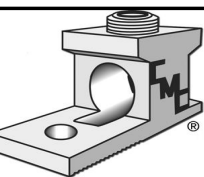


					TO ORDER CMC PRODUCTS CALL 1-513-860-4455	DRAWN BY: TS 02/15/19	NAME OF PART: ENCAP BAR ASSEMBLY	CAT. NO.: SEE TABLE
					FOR PRODUCT INFO: http://www.cmclugs.com	CHECKED BY:	DWG NO: C58701680-S (CHARTED)	A
A	NEW DRAWING CREATED		02/12/19	TS		DRAWING NOT TO SCALE		SHEET NO: 1 OF 1
REV.	DESCRIPTION	ECN	DATE	INIT.				

THIS INFORMATION IS PROPRIETARY TO CONNECTOR MFG. CO. AND IS NOT TO BE DISCLOSED OUTSIDE OF CONNECTOR MFG. CO. WITHOUT A CONFIDENTIALITY AGREEMENT



CONNECTOR MANUFACTURING CO.



HAMILTON, OHIO