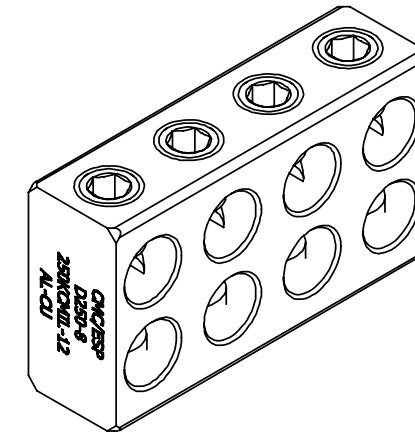
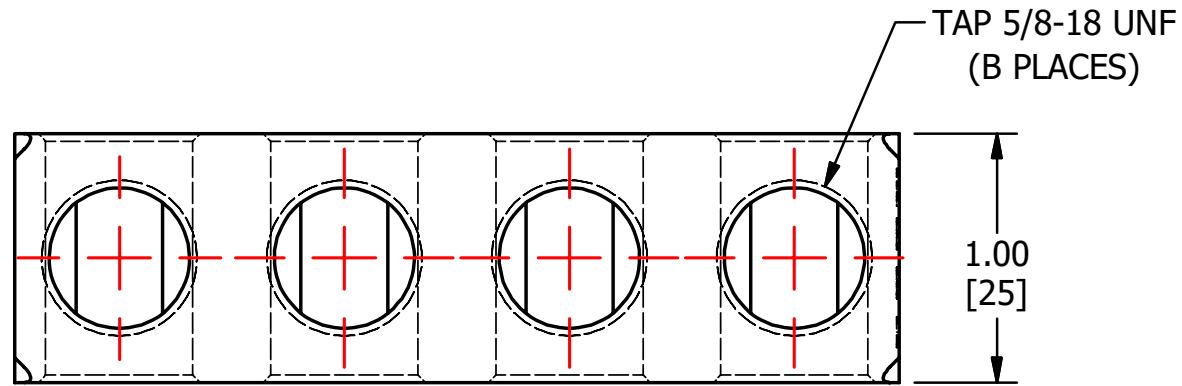
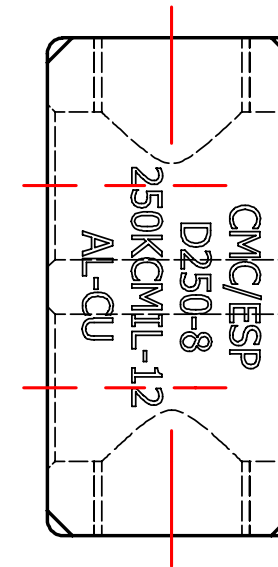
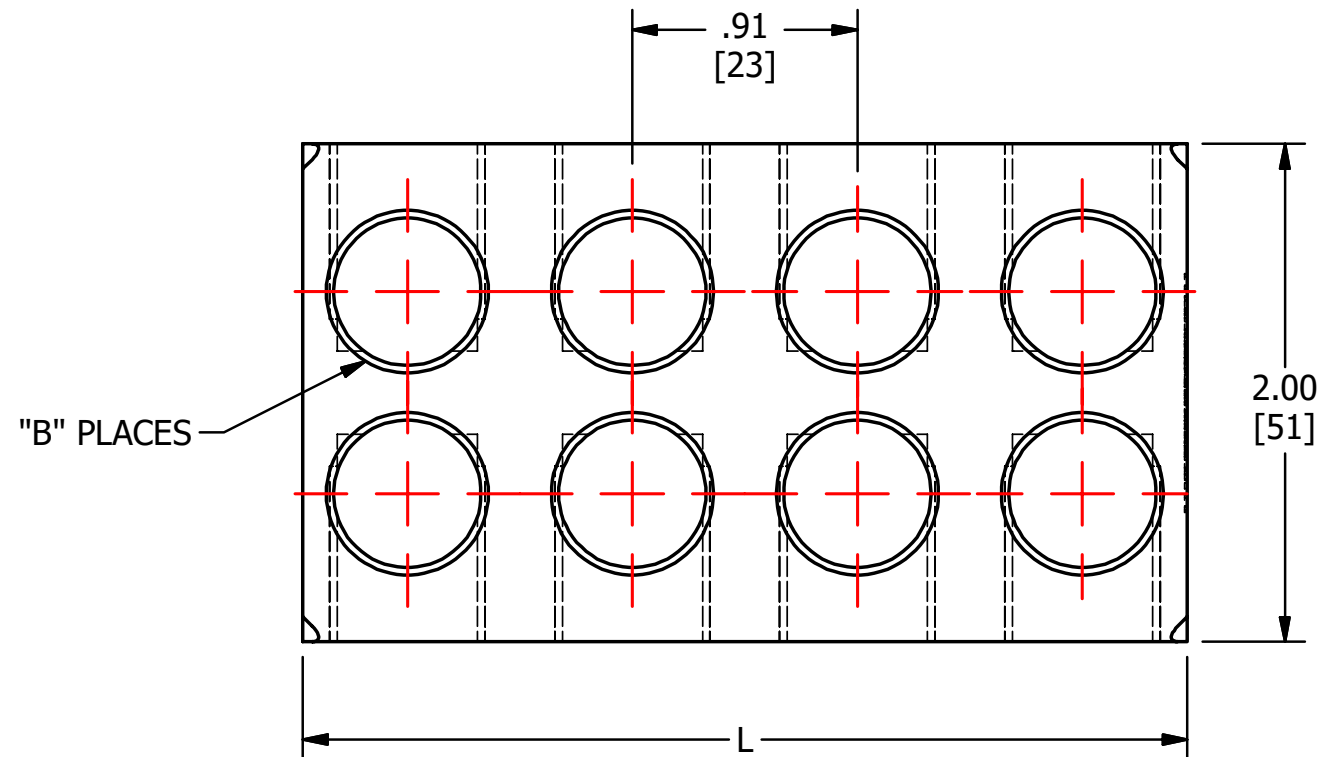
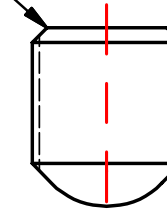


S.NO	CATALOG NUMBER	L	B	CONDUCTOR RANGE														
1	D250-4I	1.75 [44]	4	250KCMIL - 12														
2	D250-4	1.75 [44]	4	250KCMIL - 12														
3	D250-6I	2.65 [67]	6	4	D250-6	2.65 [67]	6	250KCMIL - 12	5	D250-8I	3.56 [90]	8	250KCMIL - 12	6	D250-8	3.56 [90]	8	250KCMIL - 12
4	D250-6	2.65 [67]	6	250KCMIL - 12														
5	D250-8I	3.56 [90]	8	250KCMIL - 12														
6	D250-8	3.56 [90]	8	250KCMIL - 12														



SCREWS ARE SUPPLIED WITH CONNECTOR AND COMES FULLY ASSEMBLED.

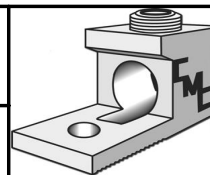


					TO ORDER CMC PRODUCTS CALL 1-513-860-4455	DRAWN BY: TS 12/17/18	NAME OF PART: SPACE-SAVER SECONDARY CONNECTORS	CAT. NO.: SEE TABLE
					FOR PRODUCT INFO: <a href="http://www.cmclugs.com">http://www.cmclugs.com</a>	CHECKED BY:	DWG NO: C58701686-S (CHARTED)	A
A	NEW DRAWING CREATED		12/17/18	TS		DRAWING NOT TO SCALE		SHEET NO: 1 OF 1
REV.	DESCRIPTION	ECN	DATE	INIT.				

THIS INFORMATION IS PROPRIETARY TO CONNECTOR MFG. CO. AND IS NOT TO BE DISCLOSED OUTSIDE OF CONNECTOR MFG. CO. WITHOUT A CONFIDENTIALITY AGREEMENT



**CONNECTOR MANUFACTURING CO.**



HAMILTON, OHIO