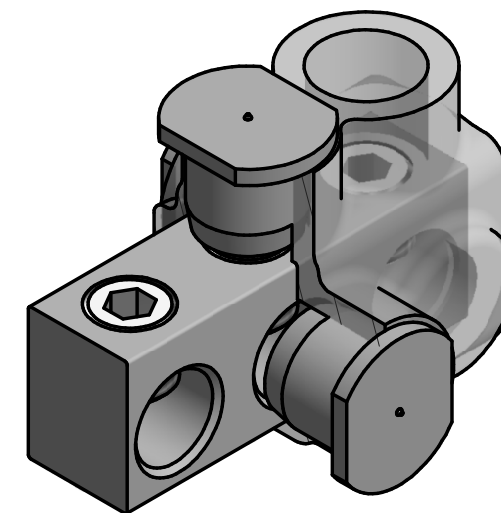
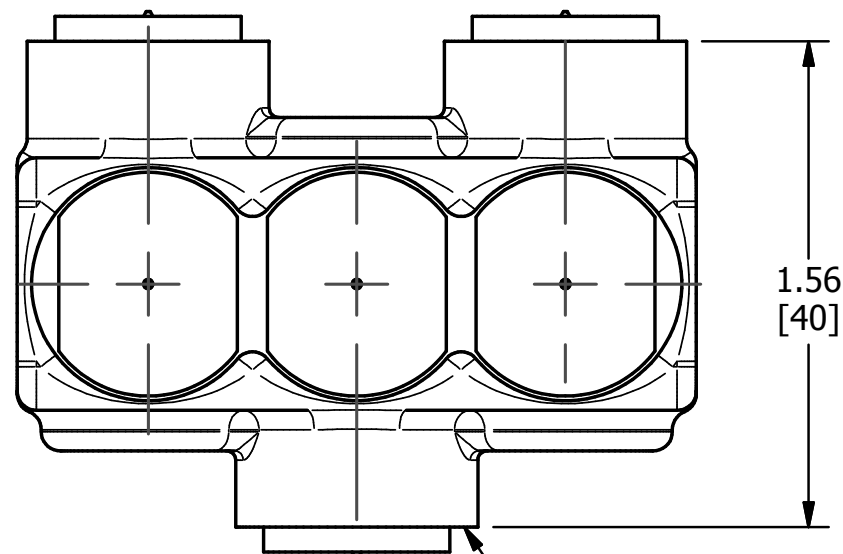
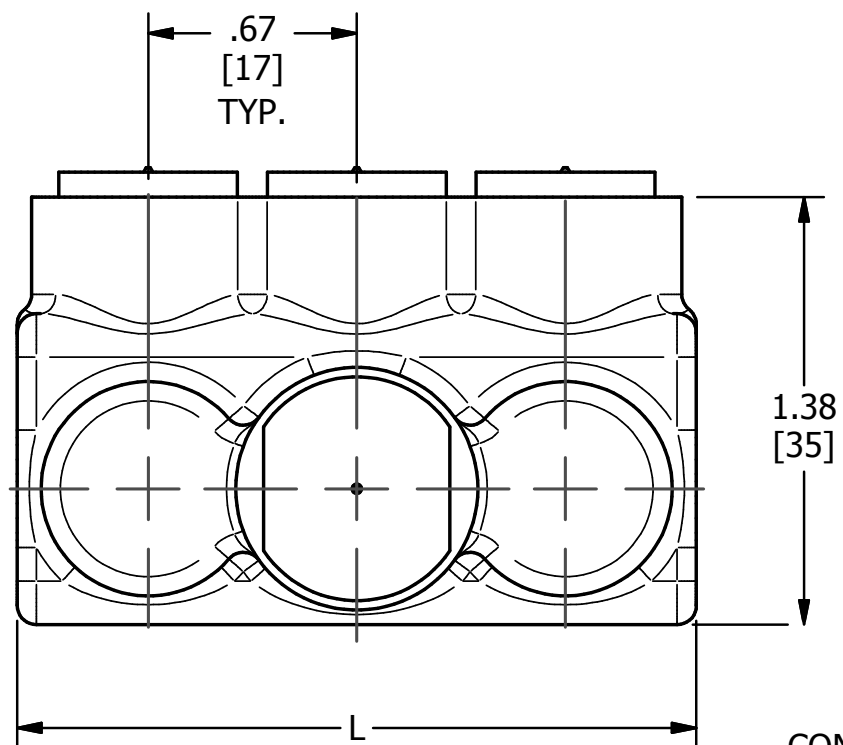
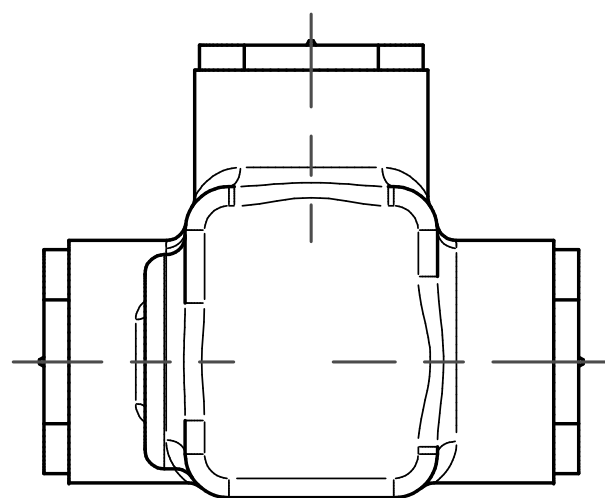


S.NO	CATALOG NUMBER	L	B	SCREW SIZE
1	NACC2/0-2A	1.27 [32]	2	7/16-20
2	NACC2/0-3A	1.94 [49]	3	7/16-20



"B" PLACES  
(WIRE PORT)



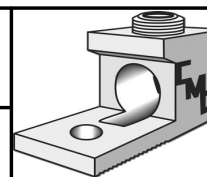
CONNECTOR FINISH: CLEAR PLATE  
CONNECTOR MATERIAL: ALUMINUM  
CONDUCTOR RANGE: #2/0 AWG to #14 AWG  
ENCAPSULE MATERIAL: CLEAR PVC

					TO ORDER CMC PRODUCTS CALL 1-513-860-4455	DRAWN BY: TS 09-23-19	NAME OF PART: ENCAPSULATED BAR ASSEMBLY- CLEAR	CAT. NO.: SEE TABLE
					FOR PRODUCT INFO: <a href="http://www.cmclugs.com">http://www.cmclugs.com</a>	CHECKED BY:	DWG NO: C58701712-S (CHARTED)	A
A	NEW DRAWING CREATED		09-23-19	TS		DRAWING NOT TO SCALE		SHEET NO: 1 OF 1
REV.	DESCRIPTION	ECN	DATE	INIT.				

THIS INFORMATION IS PROPRIETARY TO CONNECTOR MFG. CO. AND IS NOT TO BE DISCLOSED OUTSIDE OF CONNECTOR MFG. CO. WITHOUT A CONFIDENTIALITY AGREEMENT



**CONNECTOR MANUFACTURING CO.**



HAMILTON, OHIO