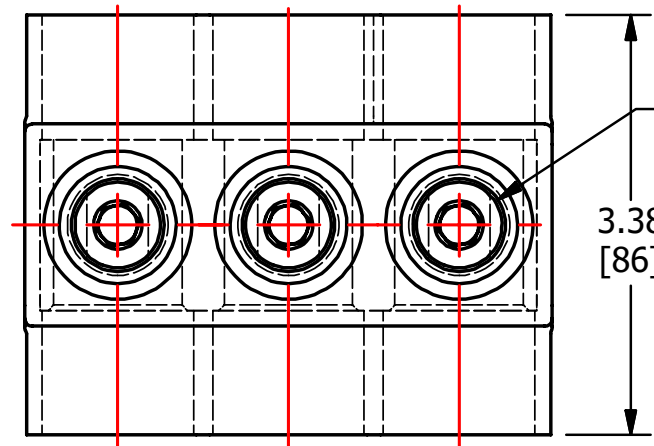
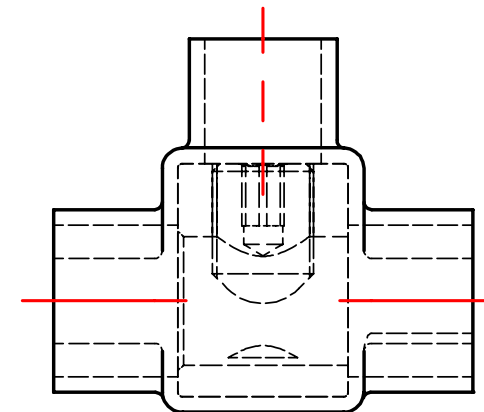
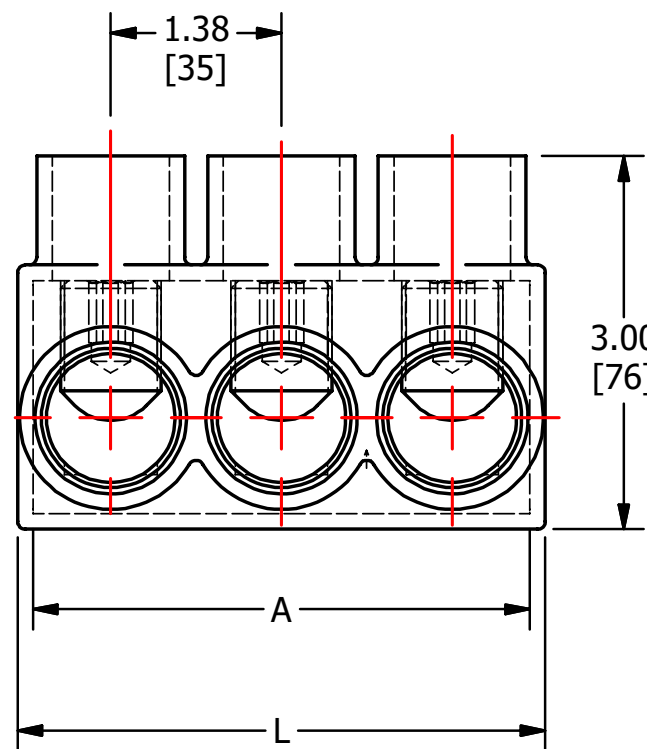
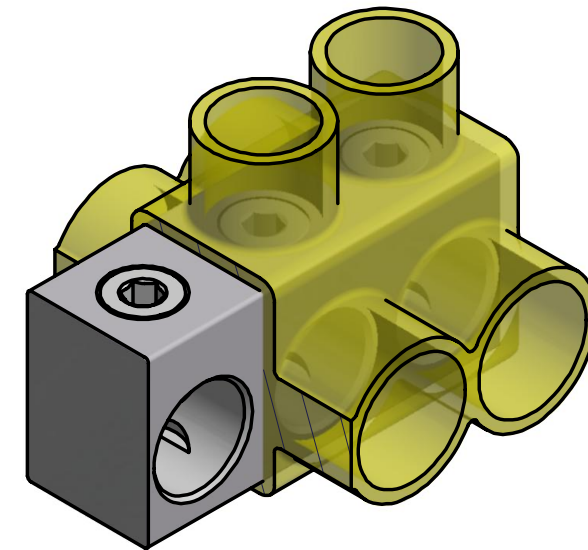


S.NO	CATALOG NUMBER	A	L	B
1	NACC750-3BI	4 [102]	4.25 [108]	3
2	NACC750-8BI	10.88 [276]	11.13 [283]	8



TAP 13/16-16 UN
("B" PLACES)

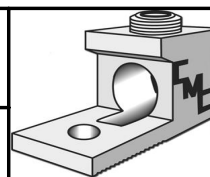


					TO ORDER CMC PRODUCTS CALL 1-513-860-4455	DRAWN BY: TS 02/18/19	NAME OF PART: ENCAPSULATED BAR ASSEMBLY- CLEAR	CAT. NO.: SEE TABLE
					FOR PRODUCT INFO: http://www.cmclugs.com	CHECKED BY:	DWG NO: C58701829I-S (CHARTED)	A
A	NEW DRAWING CREATED		02/12/19	TS		DRAWING NOT TO SCALE		SHEET NO: 1 OF 1
REV.	DESCRIPTION	ECN	DATE	INIT.				

THIS INFORMATION IS PROPRIETARY TO CONNECTOR MFG. CO. AND IS NOT TO BE DISCLOSED OUTSIDE OF CONNECTOR MFG. CO. WITHOUT A CONFIDENTIALITY AGREEMENT



CONNECTOR MANUFACTURING CO.



HAMILTON, OHIO