

4

3

2

1

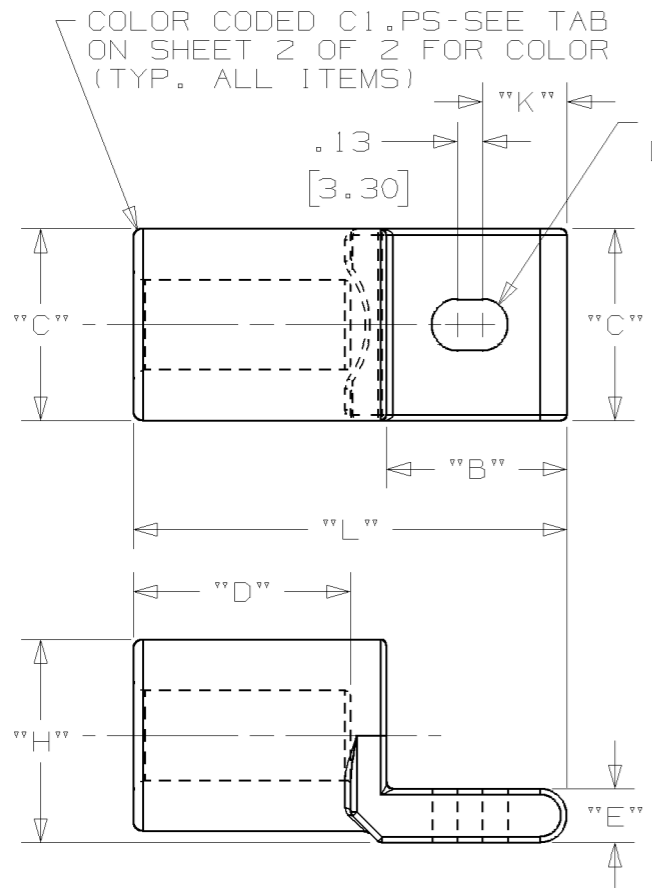


FIGURE 1.
(SLOTTED HOLE PAD)

.395 X .265 SLOT
[10.0] [6.7]

"G" HOLE DIA.

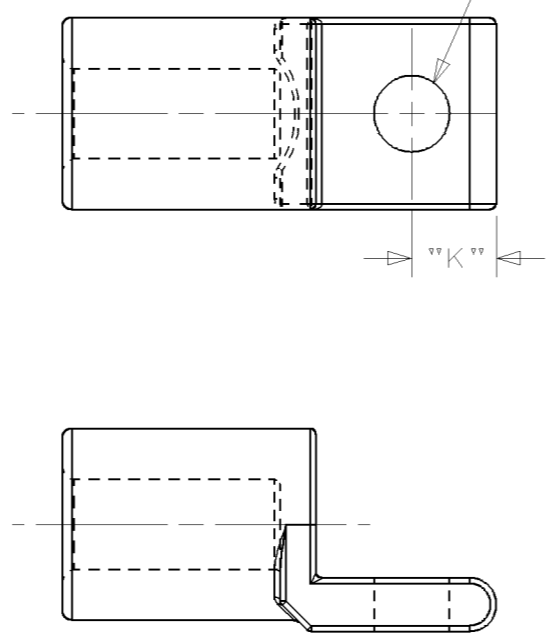


FIGURE 2.
(ONE HOLE PAD)

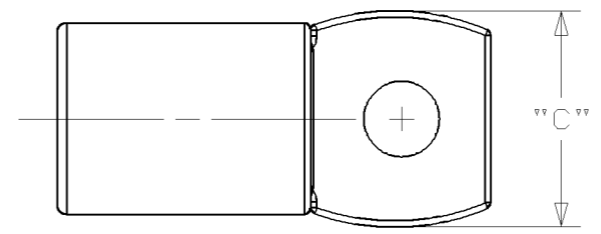


FIGURE 2A.

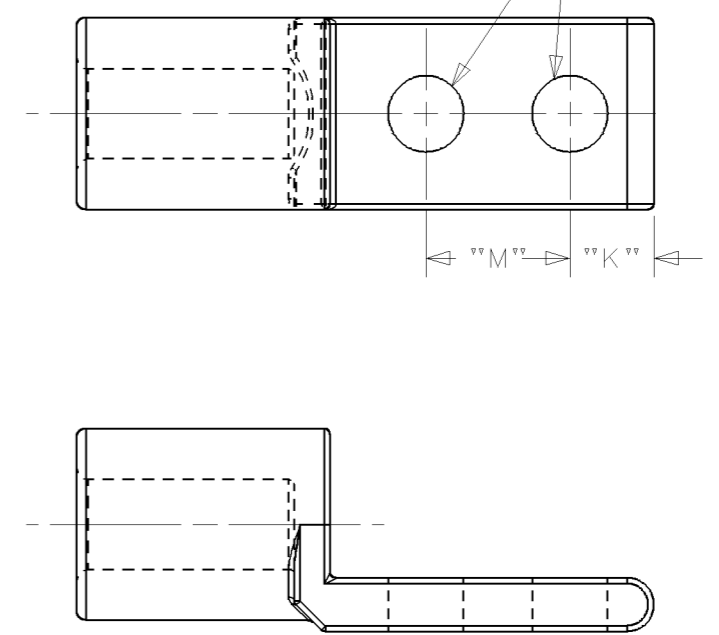


FIGURE 3.
(TWO HOLE PAD)

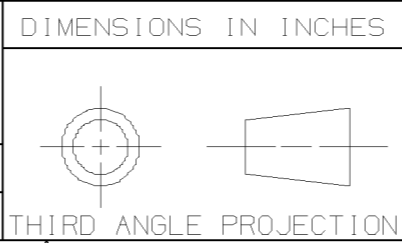
"G" HOLE DIA.
(2 REQ'D)

NOTES:

1. MATERIAL: ALUMINUM ALLOY, ELECTRO-TIN PLATED.
2. FURNISHED WITH "VERSA-SEAL" SEALANT DEPOSITED IN WIRE BORE.
3. A NON-PETROLEUM SEALANT, WHICH WILL NOT ADVERSELY AFFECT NATURAL RUBBER INSULATION MATERIALS, MAY BE SPECIFIED BY ADDING "XNP" SUFFIX TO THE CATALOG NO.
4. CONNECTORS ARE UNDERWRITERS LABORATORIES INC. LISTED FOR GENERAL PURPOSE USE, UL 486B 90°C & HV. AND C.S.A. APPROVED.
5. CONNECTORS ARE UNDERWRITERS LABORATORIES INC. LISTED FOR GENERAL PURPOSE USE, c UL us 486B 90°C & HV APPROVED.

EC #	REV	DESCRIPTION	DATE	CHG BY	APPR'd
23500	14	ADDED NOTE 5 TO SHEET 1. ADDED "NOTE" COLUMN TO SHEET 2.	08/28/07	BAF	SAS

REVISION HISTORY



HPS
TOLERANCE CHART



HUBBELL POWER SYSTEMS

CONFIDENTIAL: THIS DRAWING AND ITS CONTENTS ARE CONFIDENTIAL AND THE EXCLUSIVE PROPERTY OF HUBBELL POWER SYSTEMS. NO PUBLICATION, DISTRIBUTION OR COPIES MAY BE MADE WITHOUT THE WRITTEN CONSENT OF HUBBELL POWER SYSTEMS. HUBBELL POWER SYSTEMS UNPUBLISHED ALL RIGHTS RESERVED UNDER THE COPYRIGHT LAWS.

TITLE (VERSA-CRIMP) COMPRESSION EQUIPMENT LUGS			
SIZE B	DWG NO. CC-11191	CAT / PART / ASSY NO. VCEL	REV 14
SCALE: NONE	DRN BY: BAF	DATE: 03/15/07	SHEET 1 OF 4

4

3

2

1

4

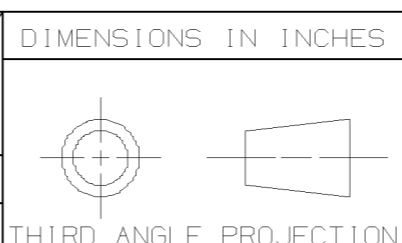
3

2

1

Catalog Number	Fig. No.	Bolt Size (In.)	Dimensions In Inches									Sq. D Co. Purchased Component No. (Corp.)	NOTE
			G	L	K	D	C	E	H	B	M		
VCEL-021-14S1	1	1/4	-	1.750	0.310	0.810	0.600	0.250	0.660	0.840	None	25018-24000	1, 2, 3, 4
VCEL-021-516H1	2	5/16	0.328		0.390								
VCEL-021-38H1	2A	3/8	0.391	1.840	0.440	1.133	1.000	0.281	1.060	0.940	25018-24500		
VCEL-022-516H1	2	5/16	0.328	2.260	0.440								
VCEL-022-38H1		3/8	0.391										
VCEL-024-516H1		5/16	0.328										
VCEL-024-38H1		3/8	0.391										
VCEL-030-516H1		5/16	0.328										
VCEL-030-38H1		3/8	0.391										
VCEL-035-516H1		5/16	0.328										
VCEL-035-38H1		3/8	0.391										
VCEL-050-38H1	2	3/8	0.391	3.400	0.750	1.800	1.187	0.500	1.247	1.390	25018-24800		
VCEL-050-12H1		1/2	0.531	3.650	0.750	2.000	1.300	0.500	1.360	1.390			
VCEL-060-12H1	3	1/2	0.531								5.290	0.640	
VCEL-075-12H1				3.030	1.750								
VCEL-060-12H2						25018-25100							
VCEL-075-12H2	25018-25101												
VCEL-100-58H1	2	5/8	0.656	5.200	0.875	3.00	1.840	0.563	1.903	1.94	None		
VCEL-100-12H2	3	1/2	0.531	6.420	0.640							3.16	
VCEL-050-12H2	3	1/2	0.531	3.040	0.640	1.800	1.187	0.500	1.247	3.03			
VCEL-050-14H2	3	1/4	0.281	3.400	0.310	1.800	1.187	0.500	1.247	1.390	0.560	80122-131-01	1, 2, 3, 5

EC #	REV	DESCRIPTION	DATE	CHG BY	APPR'd
		SEE SHEET 1.			
REVISION HISTORY					



HPS TOLERANCE CHART		HUBBELL POWER SYSTEMS	
TITLE (VERSA-CRIMP) COMPRESSION EQUIPMENT LUGS			
SIZE B	DWG NO. CC-11191	CAT / PART / ASSY NO. VCEL	REV 14
SCALE: NONE	DRN BY: BAF	DATE: 03/15/07	SHEET 2 OF 4

4

3

2

1

4

3



2

1

TOOL AND DIE INFORMATION (CONVENTIONAL COMPRESSION)

CATALOG NUMBER	CONNECTOR SIZE (MCM OR AWG)	COLOR CODE CAP (INDEX NO.)	BURNDY			KEARNEY			THOMAS & BETTS		
			TOOLS	DIE NO. (COLOR)	CRIMPS	TOOLS	DIE	CRIMPS	TOOLS	DIE NO (COLOR)	CRIMPS
VCEL-021	1/0 STR. AL/CU	TAN (296)	Y35 & Y39	U25ART (TAN)	*1	-	-	-	TBM5 & 8	TAN	2 (0*LAP)
			MD-6	W-24-1 (NONE)	2 (0*LAP)	-	-	-	HYD.	45 (GOLD)	1
VCEL-022	2/0 STR. AL/CU	BLUE (470)	Y35 & Y39	U30ART (BLUE)	1	WH	29/32 OR 1	1	HYD.	76H (BLUE) OR 83H (BLUE)	2
VCEL-024	4/0 STR. AL/CU	BLUE (470)	Y35 & Y39	U30ART (BLUE)	1	WH	29/32 OR 1	1			2
VCEL-030	300 MCM AL/CU	BLUE (470)	Y35 & Y39	U30ART (BLUE)	1	WH	29/32 OR 1	1			2
VCEL-035	350 MCM AL	BLUE (470)	Y35 & Y39	U30ART (BLUE)	1	WH	29/32	1	HYD.	76H (BLUE)	2
VCEL-050	500 MCM AL/CU	GREEN (472)	Y35 & Y39	U32ART (GREEN)	2	WH	1 1/8-1 **1 1/8-2	2 (0*LAP) 2	HYD.	94H (GREEN)	2
VCEL-060	600 MCM AL	PINK (300)	Y35 & Y39	UM OR U34ART (PINK)	2	WH	**1 1/4	2	HYD.	106H (BLACK)	3
VCEL-075	750 MCM AL	PINK (300)	Y35 & Y39	UM OR U34ART (PINK)	2	WH	**1 1/4	2	HYD.	106H (BLACK)	3
VCEL-100	1000 MCM AL ONLY	BROWN (302)	T48B	C44AR (BROWN)	2	-	-	-	-	-	-
		BROWN (302)	Y486B	F44AR (BROWN)	2	-	-	-	-	-	-
		N/A	Y48B	C46D NEST Y49-PR1 INDENTOR	1	-	-	-	-	-	-
		N/A	Y486B	F46D NEST Y49-PR1 INDENTOR	1	-	-	-	-	-	-

* PARTIAL CRIMP. CRIMP DIE U25ART EXTENDS BEYOND THE END OF THE CRIMP BARREL.
 ** WH-2 TOOL ONLY.

①-BASED ON BURNDY DIE COLOR CODES. NOTE: RECOMMENDED T&B DIES DO NOT MATCH THE BURNDY COLOR CODES IN ALL CASES. USE THE T & B DIES SPECIFIED IN THE ABOVE TABULATION.

SEE SHEET 1.					
EC #	REV	DESCRIPTION	DATE	CHG BY	APPR'd
REVISION HISTORY					

DIMENSIONS IN INCHES

THIRD ANGLE PROJECTION

HPS TOLERANCE CHART		HUBBELL POWER SYSTEMS	
TITLE (VERSA-CRIMP) COMPRESSION EQUIPMENT LUGS			
SIZE B	DWG NO. CC-11191	CAT / PART / ASSY NO. VCEL	REV 14
SCALE: NONE	DRN BY: BAF	DATE: 03/15/07	SHEET 3 OF 4

4

3



2

1

4

3



2

1

TOOL AND DIE INFORMATION (VERSA-CRIMP)

CATALOG NUMBER	CONDUCTOR RANGE (MCM OR AWG)	VERSA-CRIMP (NUMBER OF CRIMPS)			
		VC6-L VC6-350	VC6	VC6-FT	VC8C AL NIBS
VCEL-021	#8-1/0 STR. AL/CU	2	1	1	-
VCEL-022	#1-2/0 STR. AL/CU	3	2 (0*LAP)	2 (0*LAP)	-
VCEL-024	2/0-4/0 STR. AL/CU				-
VCEL-030	#4-300 MCM AL/CU				-
VCEL-035	250-350 MCM AL/CU	-	2 (0*LAP)	2 (0*LAP)	-
VCEL-050	2/0-500 MCM AL/CU	-	2	2	-
VCEL-060	400-600 MCM AL 400-500 MCM CU	-	-	2	2
VCEL-075	500-750 MCM AL 500 MCM CU	-	-	2	2 (750 MCM AL ONLY)
VCEL-100	750-1000 MCM AL	-	-	-	3

B

B

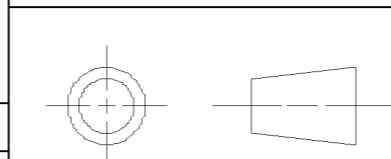


A

A

SEE SHEET 1.					
EC #	REV	DESCRIPTION	DATE	CHG BY	APPR'd
REVISION HISTORY					

DIMENSIONS IN INCHES



THIRD ANGLE PROJECTION

HPS
TOLERANCE CHART



TITLE
 (VERSA-CRIMP)
 COMPRESSION EQUIPMENT
 LUGS

CONFIDENTIAL: THIS DRAWING AND ITS CONTENTS ARE CONFIDENTIAL AND THE EXCLUSIVE PROPERTY OF HUBBELL POWER SYSTEMS. NO PUBLICATION, DISTRIBUTION OR COPIES MAY BE MADE WITHOUT THE WRITTEN CONSENT OF HUBBELL POWER SYSTEMS. HUBBELL POWER SYSTEMS UNPUBLISHED ALL RIGHTS RESERVED UNDER THE COPYRIGHT LAWS.

SIZE B	DWG NO. CC-11191	CAT / PART / ASSY NO. VCEL	REV 14
SCALE: NONE	DRN BY: BAF	DATE: 03/15/07	SHEET 4 OF 4

4

3



2

1