

4

3

2

1

S.NO	CATALOG NUMBER	FIG. NO.	ACSR CONDUCTOR RANGE RUN (MIN. - MAX.)	AL. CONDUCTOR RANGE RUN (MIN. - MAX.)	ACSR CONDUCTOR RANGE TAP (MIN. - MAX.)	AL. OR CU. CONDUCTOR RANGE TAP (MIN. - MAX.)	DIM A	DIM B	DIM C	HARDWARE	SNAP-ON COVER CATALOG NUMBER	APPROX. WT. EACH LB. [KG]	STANDARD PACK
1	GA9003L*	1	6 - 4	8 - 2	6 - 4	8 SOL. - 2 SOL.	.875 [22.27]	1.250 [31.81]	1.750 [44.54]	5/16"	GA9000B2	.170 [0.08]	250
2	GA9002L*	1	6 - 2	6 - 1	6 - 2	12 SOL. - 1 STR.	1.125 [28.63]	1.875 [47.72]	2.125 [54.08]	3/8"	GA9000B2	.230 [.10]	100
3	GA9020LSS*	2	6 - 1/0	6 - 2/0	6 - 1/0	6 SOL. - 2/0 STR.	1.250 [31.81]	1.875 [47.72]	2.375 [60.44]	3/8"	GA9000B2	.340 [.15]	100
4	GA9040L*	2	2 - 4/0	1 - 4/0	2 - 4/0	1 STR. - 4/0 STR.	1.500 [38.18]	2.750 [69.99]	3.125 [79.53]	1/2"	GA9000B3	.550 [.25]	50
5	GA9041L*	2	2 - 4/0	1 - 4/0	6 - 2/0	6 SOL. - 2/0 STR.	1.500 [38.18]	3.375 [85.89]	3.125 [79.53]	1/2"	GA9000B3	.580 [.26]	50
6	GA9405L	1	4 - 3/0	4 - 3/0	-	12 SOL. - 4 STR.	1.500 [38.18]	1.875 [47.72]	2.500 [63.63]	3/8"	GA9000B2	.440 [.20]	100
7	GA9400L	2	3/0 - 336.4 MCM	4/0 - 397.5 MCM	3/0 - 336.4 MCM	4/0 STR. - 397.5 MCM	2.063 [52.50]	3.500 [89.08]	3.500 [89.08]	1/2"	GA9000B3	.780 [.35]	50
8	GA9401L	2	3/0 - 336.4 MCM	4/0 - 397.5 MCM	6 - 4/0	6 SOL. - 266.8 MCM	2.063 [52.50]	4.000 [101.80]	3.500 [89.08]	1/2"	GA9000B3	.880 [.40]	25
9	GA9842L*	2	4/0 - 666 MCM	266.8 - 800 MCM	6 - 2/0	6 SOL. - 2/0	[52.50]	3.625 [92.26]	3.750 [95.44]	1/2"	GA9000B3	.800 [.36]	25
10	GA9843L*	2	4/0 - 666 MCM	266.8 - 800 MCM	2 - 4/0	1 TR. - 4/0	2.000 [50.90]	3.625 [92.26]	3.750 [95.44]	1/2"	GA9000B3	.880 [.40]	25
11	GA9844GL	2	477 - 666 MCM	477 - 800	4/0 - 336.4 MCM	266.8 - 397.5 MCM	3.000 [76.35]	3.000 [76.35]	4.750 [120.89]	1/2"	GA9000B5	1.233 [.56]	25
12	GA9404L	1	4 - 4/0	4/0	-	12 SOL. - 10 SOL.	1.125 [28.63]	1.875 [47.72]	2.125 [54.08]	3/8"	GA9000B2	.390 [.18]	100
13	GA9954L	2	795 (26/7)	795 (26/7) - 954 MCM	-	1/0 - 336.400 MCM	3.000 [76.35]	3.000 [76.35]	4.750 [120.89]	1/2"	GA9000B5	1.240 [.56]	25

ITEM	DESCRIPTION	MATERIAL
1	FEMALE	ALUMINUM
2	MALE	ALUMINUM
3	SPACER	ALUMINUM
4	BOLT OR SHEARBOLT	ALUMINUM OR STAINLESS STEEL
5	GROMMET	NEOPRENE

D

D

C

C

B

B

A

A

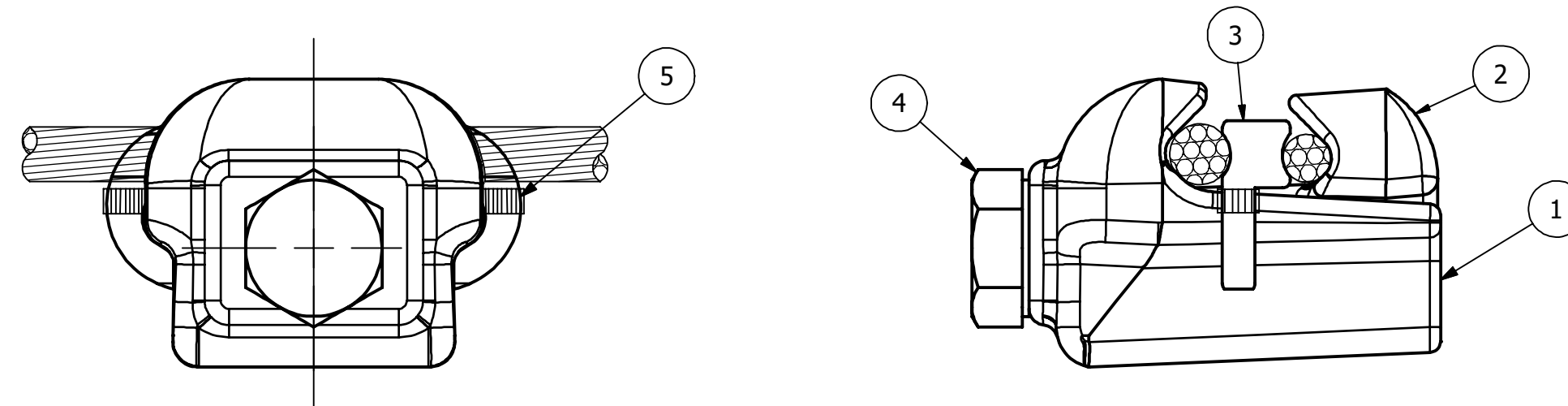


FIG 1

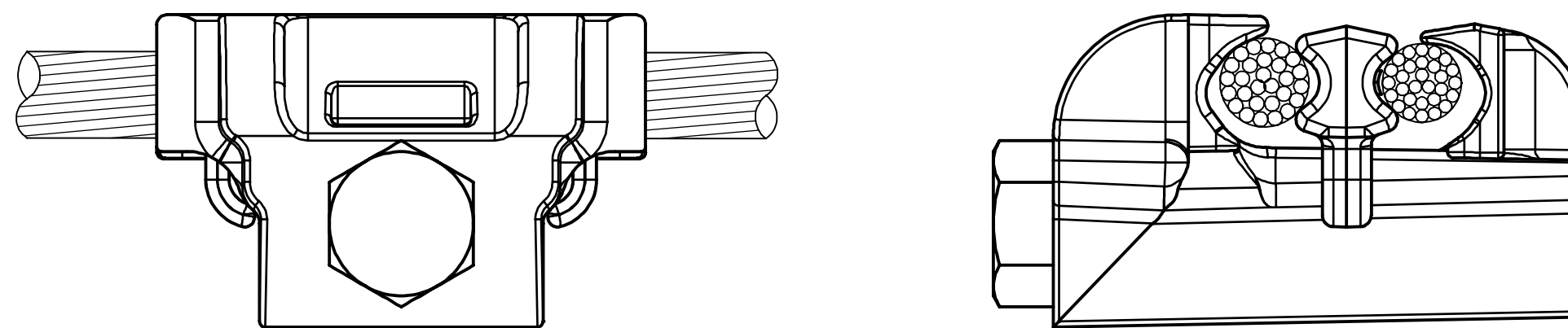
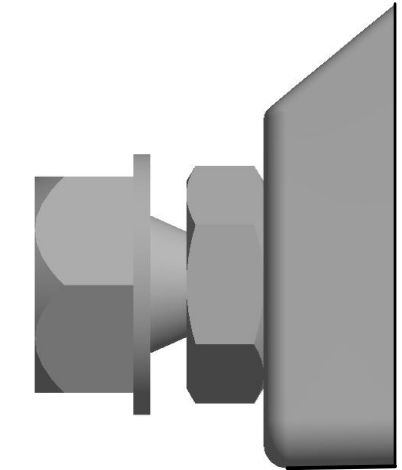
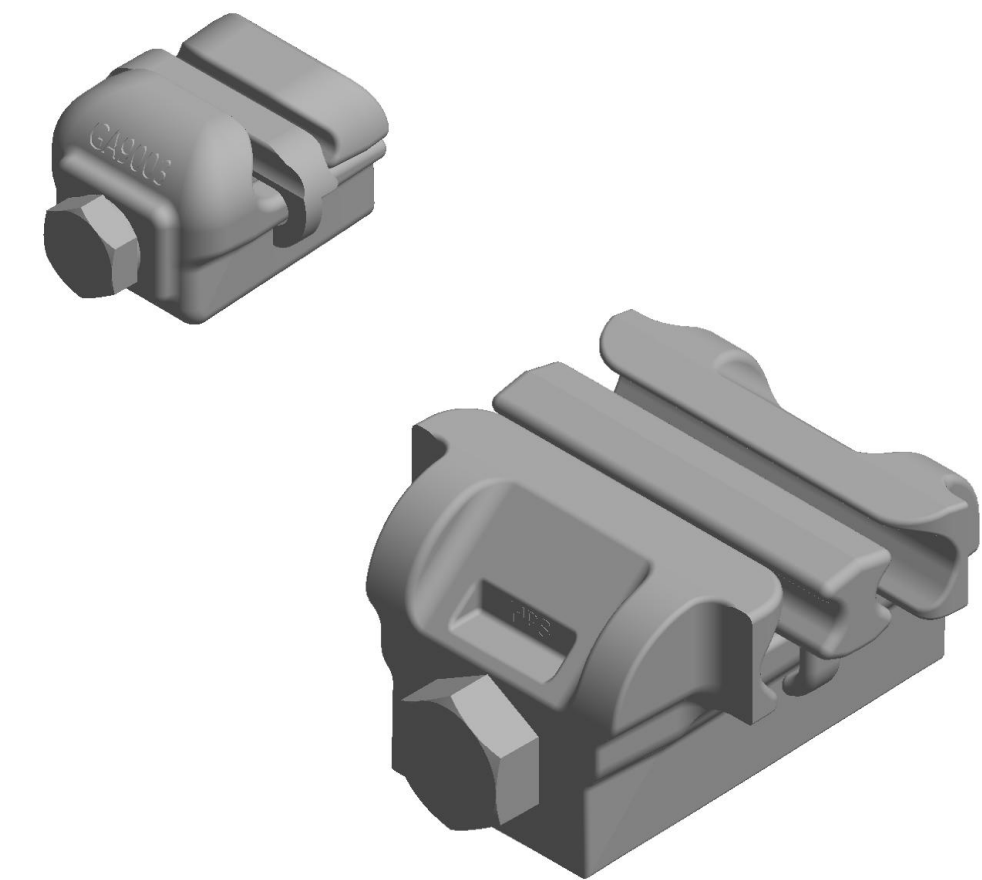


FIG 2



DETAIL VIEW CLAMP WITH SHEAR BOLT



NOTES:

- ALL DIMENSIONS FOR REFERENCE ONLY. DISTANCE IN. [MM], FORCE LBS. [kN], TORQUE IN. LBS. [N.m], & WEIGHT LBS. [KG].
- RATINGS:
  - RECOMMENDED TORQUE:  
 5/16": (AL & SS) 180 IN.LBS [20.34]  
 3/8": (AL) 168 IN.LBS [18.98] (SS) 240 IN.LBS [27.11]  
 (AL-SHEARBOLT) 190-210 IN.LBS [21.50-23.73]  
 1/2": (AL) 300 IN.LBS [33.90] (SS) 480 IN.LBS [54.23]  
 (AL-SHEARBOLT) 300-360 IN.LBS [33.90-40.67]
- CERTIFICATIONS, SPECIFICATIONS, & STANDARDS:
  - RUS LISTED\*
  - ANSI C119.4
- A SUFFIX IS ADDED TO THE CATALOG NUMBER TO DESIGNATE THE REQUIRED FITTINGS AS SHOWN IN THE TABULATION (EXAMPLE: GA9020L):  
 "AA" - CLASS AA RATED  
 "L" - FACTORY INHIBITED AND BAGGED  
 "SS" - STAINLESS STEEL HARDWARE  
 "G" - GROMMET  
 "O" - SHEARBOLT  
 "P" - TIN PLATED

230526030654	5/26/23	BM	SI	SD
EC #	DATE	CHANGED BY	CHECKED BY	APPROVED BY
DESCRIPTION:				WEIGHT, LBS
ADDED CATALOG GA9401L AND GA9844GL				SEE TABLE
ADDITIONAL COMMENTS: --				

THIRD ANGLE PROJECTION

CONFIDENTIAL: THIS DRAWING AND ITS CONTENTS ARE CONFIDENTIAL AND THE EXCLUSIVE PROPERTY OF HUBBELL POWER SYSTEMS. NO PUBLICATION, DISTRIBUTION OR COPIES MAY BE MADE WITHOUT THE WRITTEN CONSENT OF HUBBELL POWER SYSTEMS. HUBBELL POWER SYSTEMS UNPUBLISHED ALL RIGHTS RESERVED UNDER THE COPYRIGHT LAWS

**HUBBELL POWER SYSTEMS, Inc.**

TITLE: **SINGLE BOLT CONNECTOR AL VISE TYPE GA9XXX**

CATALOG NUMBER: SEE TABLE

SIZE	DWG NO.	PART / ASSY NO.	REV
C	CC-20308	SEE TABLE	8

SCALE: NS    DRN BY: SD    DATE: 10/29/2018    SHEET 1 OF 1

4

3

2

1