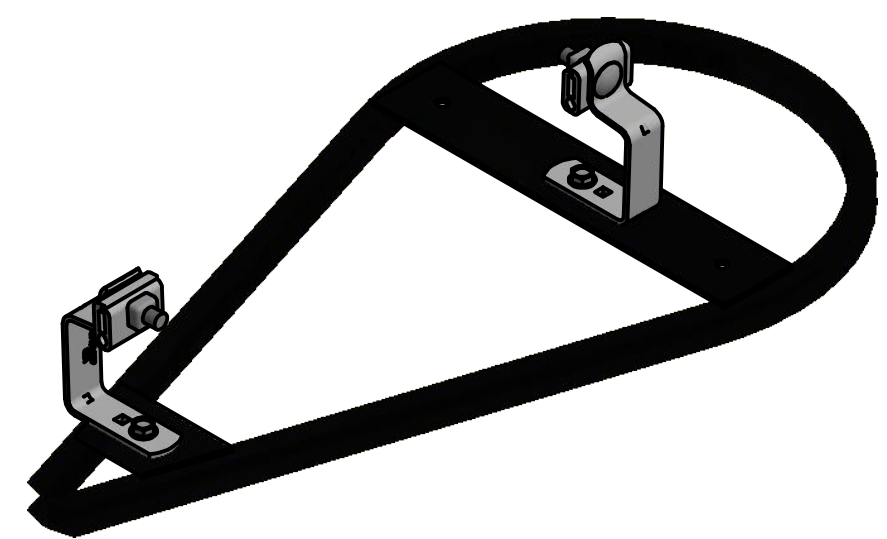
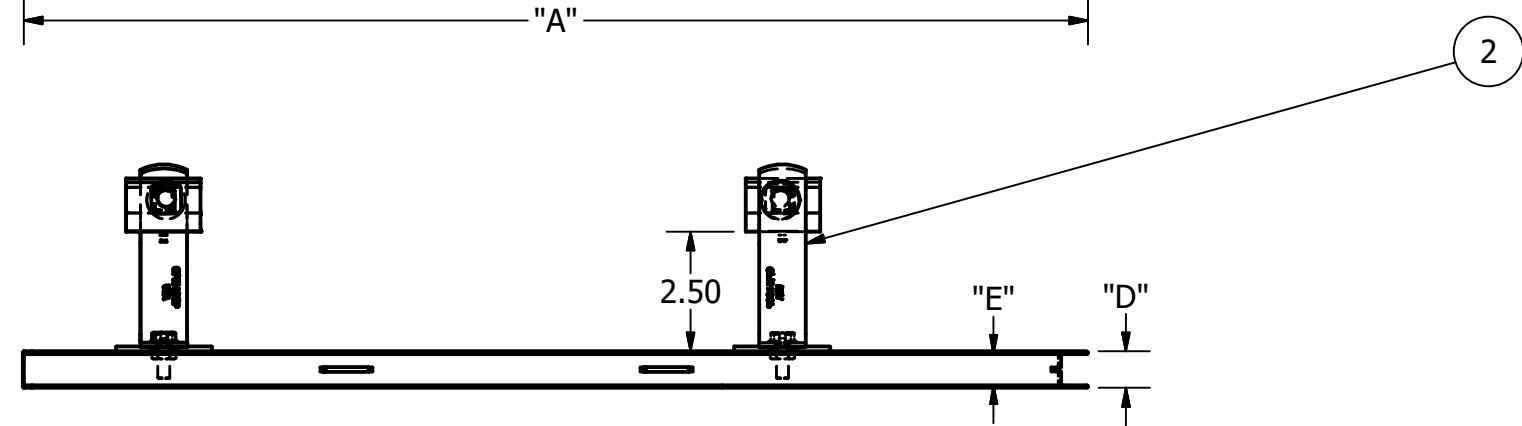
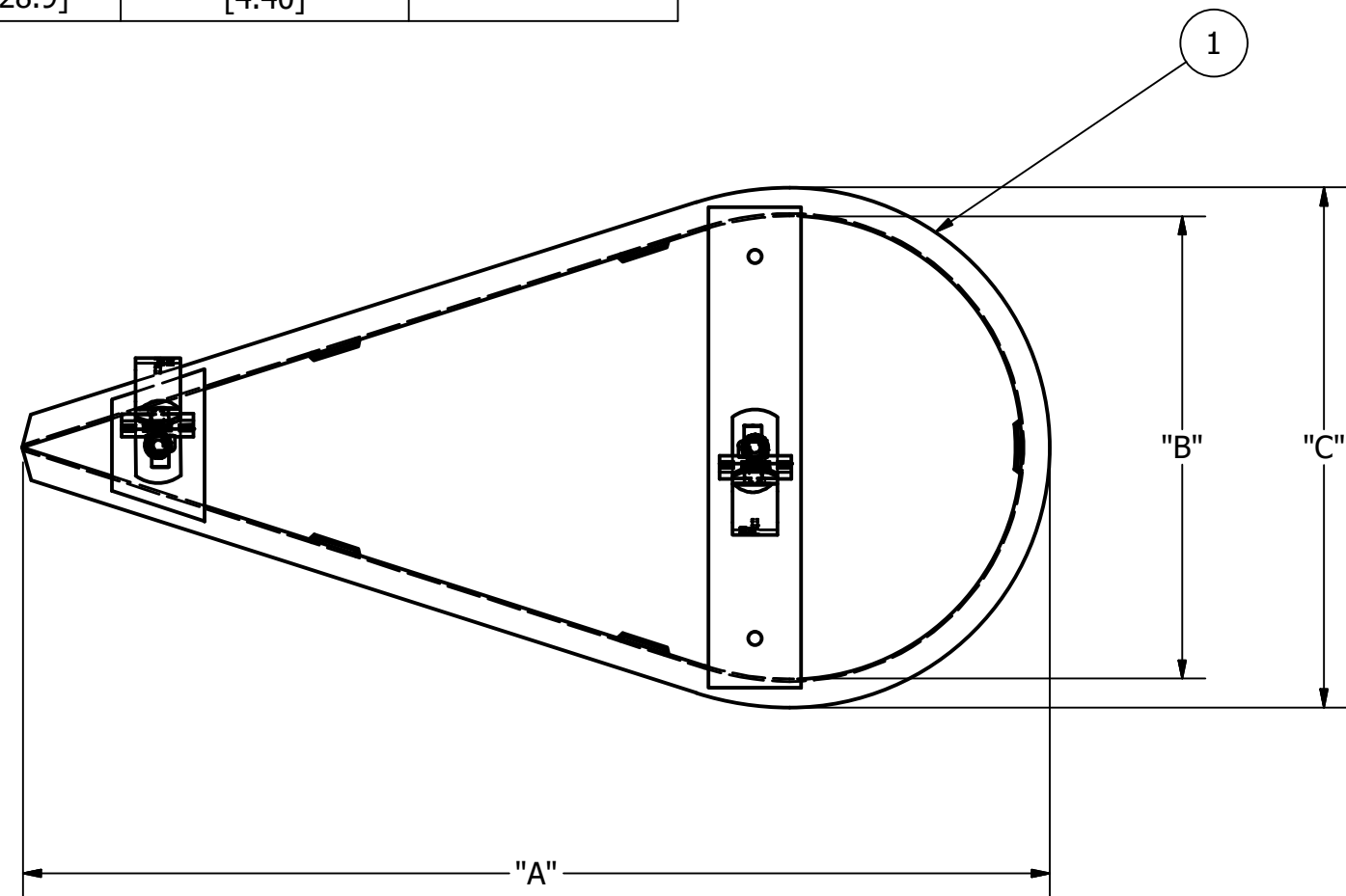


FIGURE	CATALOG NUMBER	DIM A	DIM B	DIM C	DIM D OUTSIDE CHANNEL	DIM E INSIDE CHANNEL	APPROX. WT. EACH	STANDARD PACK (PAIR)
1	FOS10TMK	23.13 [587.50]	10 [254.00]	11.4 [289.6]	0.65 [16.51]	0.54 [13.7]	3.5 [1.59]	1
1	FOS1TMK	26.00 [660.40]	12 [304.80]	13.4 [340.4]	0.65 [16.51]	0.54 [13.7]	4.0 [1.81]	1
1	FOS2TMK	25.94 [658.88]	12 [304.80]	13.4 [340.4]	1.25 [31.75]	1.14 [28.9]	4.4 [2.00]	1
1	FOS3TMK	31.31 [795.27]	16 [406.40]	17.7 [449.6]	0.90 [22.86]	0.79 [20.1]	5.5 [2.49]	1
1	FOS4TMK	32.56 [827.02]	18 [457.20]	19.7 [500.4]	0.90 [22.86]	0.79 [20.1]	6.1 [2.77]	1
1	FOS5TMK	32.56 [827.02]	18 [457.20]	19.7 [500.4]	1.75 [44.45]	1.64 [41.7]	7.1 [3.22]	1
1	FOS6TMK	34.00 [863.6]	20 [508.00]	21.4 [543.6]	1.25 [31.75]	1.14 [28.9]	6.3 [2.86]	1
1	FOS24TMK	38.00 [965.20]	24 [609.60]	25.4 [645.2]	1.25 [31.75]	1.14 [28.9]	7.1 [3.22]	1
1	FOS30TMK	44.50 [1130.30]	30 [762.00]	31.4 [797.6]	1.25 [31.75]	1.14 [28.9]	9.7 [4.40]	1

ITEM	DESCRIPTION	MATERIAL
1	FIBER OPTICE STORAGE LOOP	POWDER COATED ALUMINUM
2	KIT, ALUMINUM TAP MOUNTING KIT	ALUMINUM



NOTES:

- ALL DIMENSIONS FOR REFERENCE ONLY. DISTANCE IN. [MM], FORCE LBS. [kN], TORQUE IN. LBS. [N.m], & WEIGHT LBS. [KG].
- RATINGS:
A. UV RESISTANT
- CERTIFICATIONS, SPECIFICATIONS, & STANDARDS:
A. NA
- SUFFIXES & VARIANT CONFIGURATION:
A. NA
- ALUMINUM, FIBER OPTIC STORAGE UNITS USED ON LASHED FIBER OPTIC CABLES

79075	07/02/19	HD	RG	HPS.
EC #	DATE	CHG BY	RESP ENG	
DESC OF DWG: NEW CC-TEMPLATE				CONFIDENTIAL: THIS DRAWING AND ITS CONTACTS ARE CONFIDENTIAL AND THE EXCLUSIVE PROPERTY OF HUBBELL POWER SYSTEMS. NO PUBLICATION, DISTRIBUTION OR COPIES MAY BE MADE WITHOUT THE WRITTEN CONSENT OF HUBBELL POWER SYSTEMS. HUBBELL POWER SYSTEMS UNPUBLISHED ALL RIGHTS RESERVED UNDER THE COPYRIGHT LAWS
REASON (S) FOR CHANGE: DISPOSITION OF MAT'L:				

HUBBELL® POWER SYSTEMS <small>POWER SYSTEMS, INC.</small>			
TITLE FOS FIBER OPTIC STORAGE ALUMINUM, TMK			
SIZE C	DWG NO. CC-21800	CAT / PART / ASSY NO. REFER TO TABLE	REV 03
DO NOT SCALE THIS DRAWING	DRN BY JW	DATE 03/14/14	SHEET 1 OF 1