

FIGURE	CATALOG NUMBER	SIZE (IN)	DIM A	DIM B	DIM C	APPROX. WT. EACH LB. [KG.]	STANDARD PACK (PAIR)
1	FOSP12TMK	12	17.95 [455.93]	13.60 [345.44]	0.95 [24.13]	2.40 [1.09]	1
2	FOSP17TMK	17	25.30 [642.62]	18.80 [477.52]	1.25 [31.75]	3.45 [1.56]	1

ITEM	DESCRIPTION	MATERIAL
1	FIBER OPTIC STORAGE LOOP	PLASTIC
2	KIT, PLASTIC TAP MOUNTING KIT	ALUMINUM

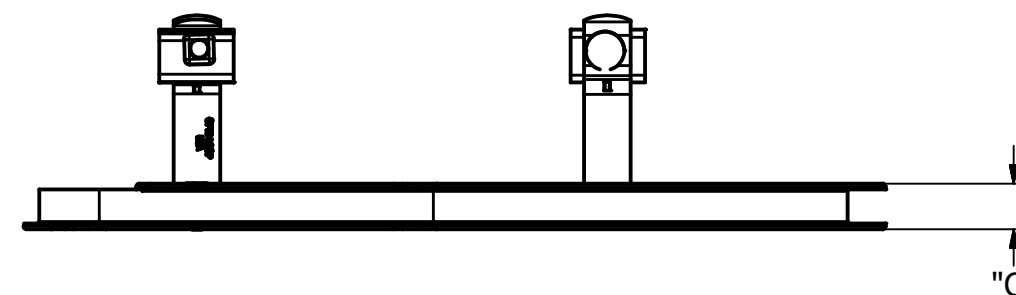
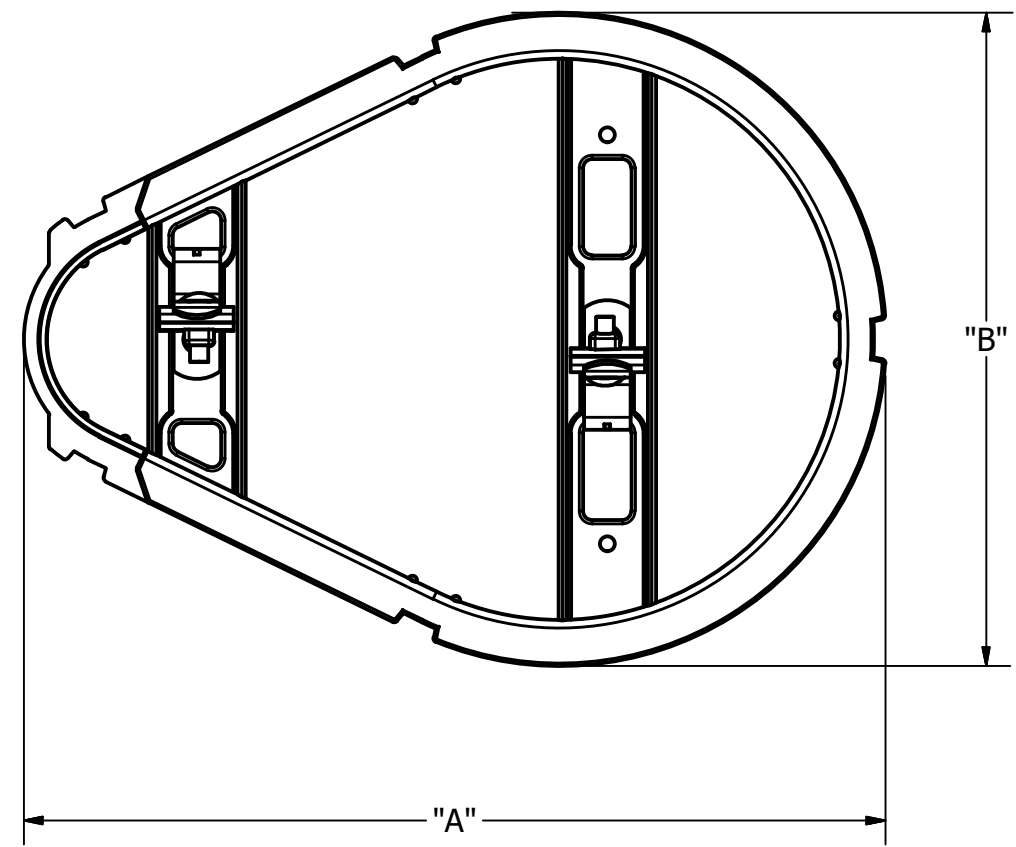


FIGURE 1

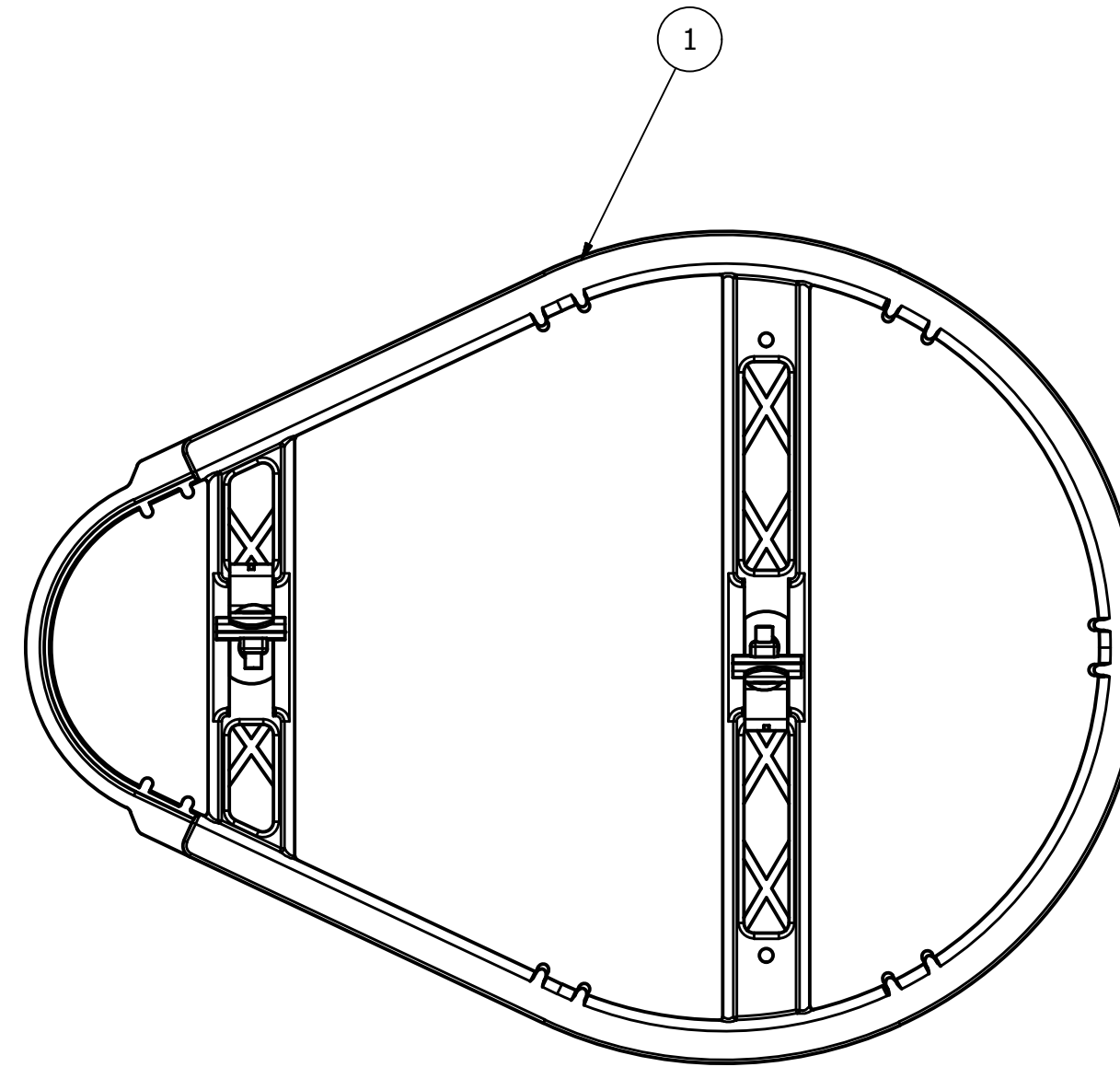
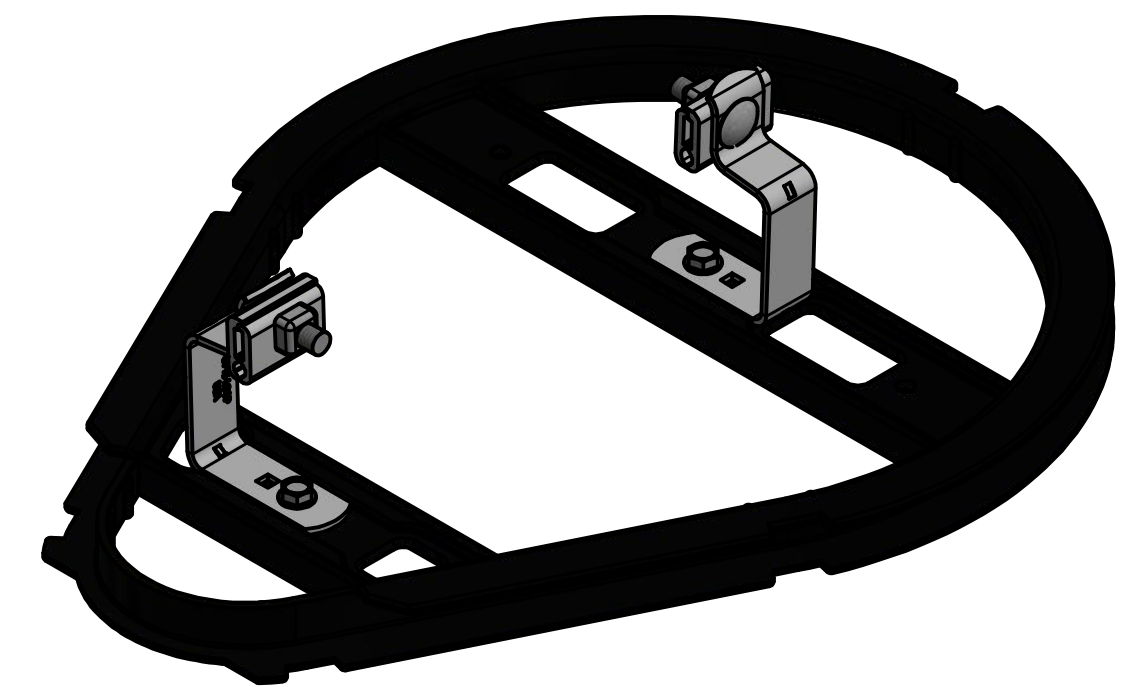



FIGURE 2



NOTES:

- ALL DIMENSIONS FOR REFERENCE ONLY. DISTANCE IN. [MM], FORCE LBS. [kN], TORQUE IN. LBS. [N.m], & WEIGHT LBS. [KG]. (Always first)
- RATINGS:
 - NA
- CERTIFICATIONS, SPECIFICATIONS, & STANDARDS:
 - PLASTIC, FIBER OPTIC STORAGE UNITS USED ON LASHED FIBER OPTIC CABLES
- SUFFIXES & VARIANT CONFIGURATION:
 - NA

77213	01/28/19	RG	RG	HPS.	 HUBBELL® POWER SYSTEMS <small>POWER SYSTEMS, INC.</small>							
EC #	DATE	CHG BY	RESP ENG									
DESC OF DWG: REDRAWN USING NEW "CC" TEMPLATE				CONFIDENTIAL: THIS DRAWING AND ITS CONTACTS ARE CONFIDENTIAL AND THE EXCLUSIVE PROPERTY OF HUBBELL POWER SYSTEMS. NO PUBLICATION, DISTRIBUTION OR COPIES MAY BE MADE WITHOUT THE WRITTEN CONSENT OF HUBBELL POWER SYSTEMS. HUBBELL POWER SYSTEMS UNPUBLISHED ALL RIGHTS RESERVED UNDER THE COPYRIGHT LAWS	TITLE FOSP FIBER OPTIC STORAGE PLASTIC, TMK							
REASON (S) FOR CHANGE: DISPOSITION OF MAT'L:					<table border="1"> <tr> <td>SIZE</td> <td>DWG NO.</td> <td>CAT / PART / ASSY NO.</td> <td>REV</td> </tr> <tr> <td>C</td> <td>CC-21802</td> <td>REFER TO TABLE</td> <td>01</td> </tr> </table>	SIZE	DWG NO.	CAT / PART / ASSY NO.	REV	C	CC-21802	REFER TO TABLE
SIZE	DWG NO.	CAT / PART / ASSY NO.	REV									
C	CC-21802	REFER TO TABLE	01									
				DO NOT SCALE THIS DRAWING	<table border="1"> <tr> <td>DRN BY</td> <td>DATE</td> <td>SHEET</td> </tr> <tr> <td>JW</td> <td>03/14/14</td> <td>1 OF 1</td> </tr> </table>	DRN BY	DATE	SHEET	JW	03/14/14	1 OF 1	
DRN BY	DATE	SHEET										
JW	03/14/14	1 OF 1										