

FIG NO.	CATALOG NO.	NO. OF CONDUCTORS	DIM "A"	DIM "B"	DIM "C"	WEIGHT	STANDARD PACK
1	GO53	3	5.800 [147.32]	1.500 [38.18]	5.500 [139.98]	0.270 [0.12]	100
2	GO54	4	5.600 [142.24]	1.500 [38.18]	5.500 [139.98]	0.280 [0.13]	100

ITEM	DESCRIPTION	MATERIAL
1	CONDUCTOR SPACER	POLYETHYLENE
2	RINGS	STAINLESS STEEL

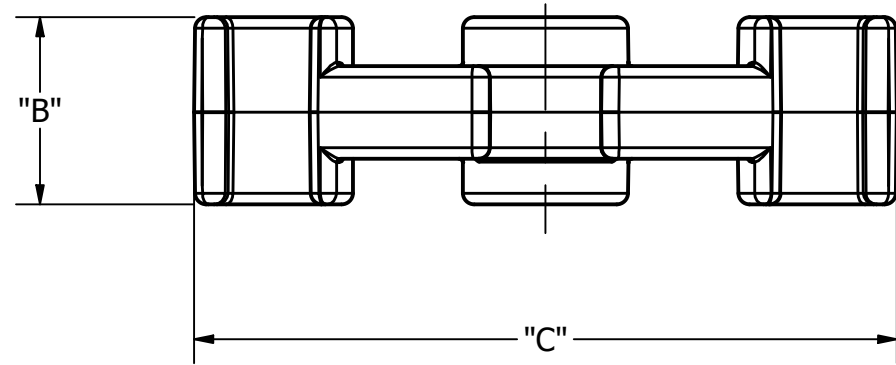
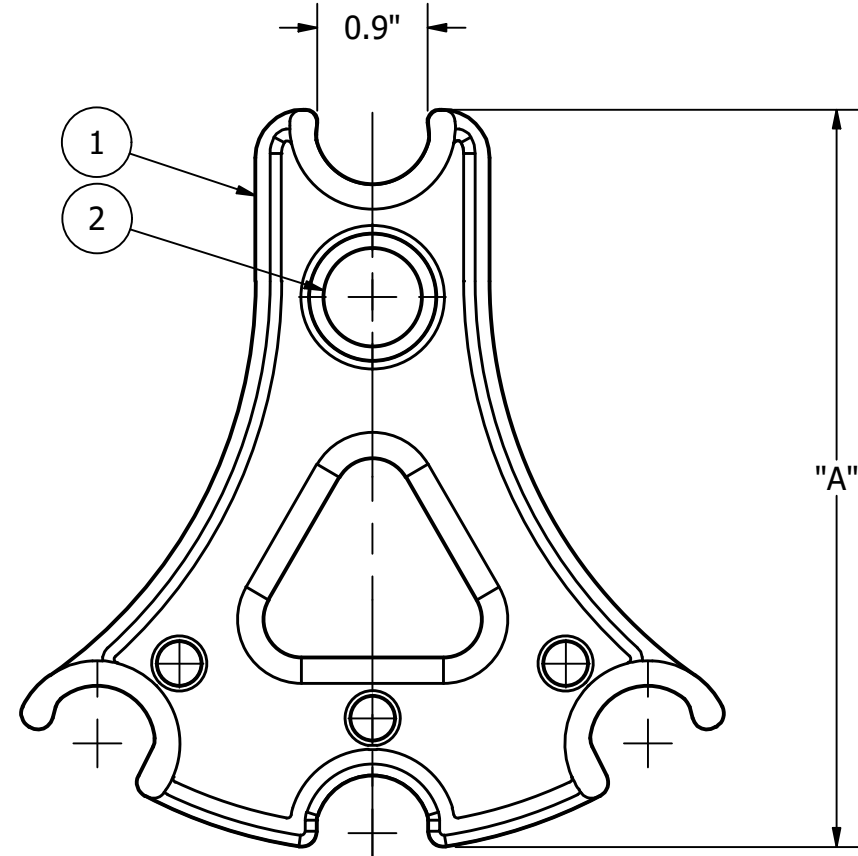


FIG 1

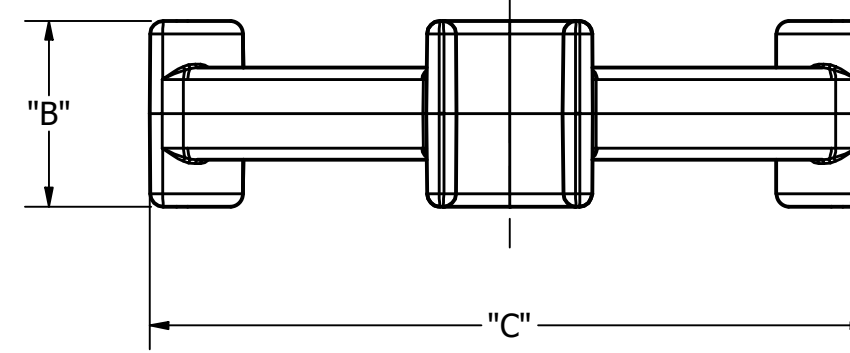
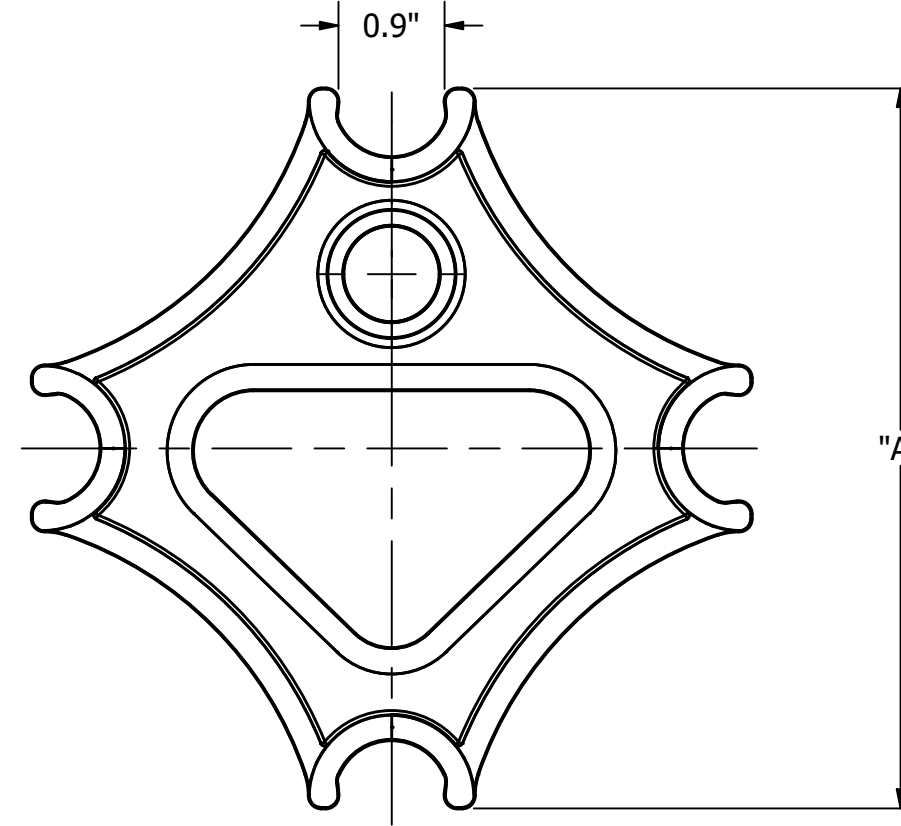
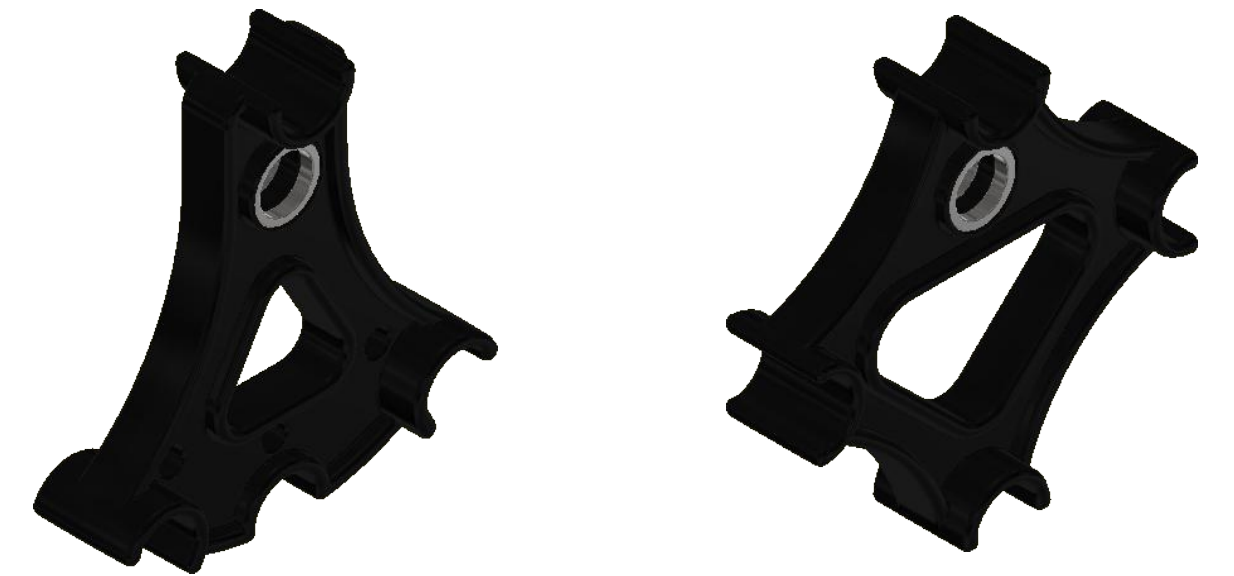


FIG 2



NOTES:

- ALL DIMENSIONS FOR REFERENCE ONLY. DISTANCE IN. [MM], FORCE LBS. [kN], TORQUE IN. LBS. [N.m], & WEIGHT LBS. [KG].
- RATINGS:
 - A. UV RESISTANT
- CERTIFICATIONS, SPECIFICATIONS, & STANDARDS:
 - A. NA
- SUFFIXES & VARIANT CONFIGURATION:
 - A. NA
- PROVIDES SIMPLE AND PERMANENT SPACING OF SECONDARY TRIPLEX OR QUADRUPLUX CONDUCTOR TO EASE INSTALLATION OF CONNECTORS OR TAPS.

210617009295	06/17/21	SAV	JJ	HPS.			
EC #	DATE	CHG BY	RESP ENG				
DESC OF DWG: UPDATED VIEW ORIENTATION SHOWN SS RINGS				CONFIDENTIAL: THIS DRAWING AND ITS CONTACTS ARE CONFIDENTIAL AND THE EXCLUSIVE PROPERTY OF HUBBELL POWER SYSTEMS. NO PUBLICATION, DISTRIBUTION OR COPIES MAY BE MADE WITHOUT THE WRITTEN CONSENT OF HUBBELL POWER SYSTEMS. HUBBELL POWER SYSTEMS UNPUBLISHED ALL RIGHTS RESERVED UNDER THE COPYRIGHT LAWS	HUBBELL® POWER SYSTEMS TITLE: GO, CONDUCTOR SPACER		
REASON (S) FOR CHANGE: DISPOSITION OF MAT'L:					SIZE: C DO NOT SCALE THIS DRAWING	DWG NO.: CC-22357 DRN BY: JES	CAT / PART / ASSY NO.: SEE CHART DATE: 8/27/14