

FIG.	CATALOG NUMBER	CONDUCTOR RANGE (MIN - MAX)	ACSR	AAAC	AAC	DIM A	DIM B	DIM C	COLOR CODE	APPROX. WT. EACH LB. [KG]	STANDARD PACK	CLEVIS & Z BAIL		
												ITEM	DESCRIPTION	MATERIAL
1	GD442A	.225 - .250 [5 - 6]	#4 (6/1)	#4	#4	11 [279]	5 [127]	-	ORANGE	.56 [.25]	25	1	SHELL	ALUMINUM
5	GD402AZ	.225 - .250 [5 - 6]	#4 (6/1)	#4	#4	10.4 [264]	5 [127]	-	ORANGE	.43 [.19]	25	2	JAW	ALUMINUM
3	GD402A	.225 - .250 [5 - 6]	#4 (6/1)	#4	#4	12.8 [325]	5 [127]	2 [51]	ORANGE	.20 [.09]	50	3	SPRING	GALVANIZED STEEL
4	GD462A	.225 - .250 [5 - 6]	#4 (6/1)	#4	#4	12 [305]	5 [127]	2.2 [56]	ORANGE	.24 [.10]	50	4	BAIL	ALUMINUM OR STEEL
1	GD4442A	.220 - .320 [5 - 8]	#2 & #4	#2 & #4	#2 & #4	12.9 [328]	7 [178]	-	RED - ORANGE	.63 [.29]	25	5	NOSE GUIDE	PLASTIC
5	GD4042AZ	.220 - .320 [5 - 8]	#2 & #4	#2 & #4	#2 & #4	12 [305]	7 [178]	-	RED - ORANGE	1.00 [.45]	25	6	PILOT CUP	PLASTIC
3	GD4042A	.220 - .320 [5 - 8]	#2 & #4	#2 & #4	#2 & #4	13.7 [348]	7 [178]	2 [51]	RED - ORANGE	.34 [.15]	50	7	PLUG	PLASTIC
4	GD4642A	.220 - .320 [5 - 8]	#2 & #4	#2 & #4	#2 & #4	14.4 [366]	7 [178]	2.2 [56]	RED - ORANGE	.38 [.17]	50	8	WASHER CLEVIS	ALUMINUM
1	GD446A	.355 - .400 [9 - 10]	1/0	1/0	1/0	12.3 [312]	6.4 [162]	-	YELLOW	1.02 [.46]	25	9	COTTER PIN	STAINLESS STEEL
5	GD406AZ	.355 - .400 [9 - 10]	1/0	1/0	1/0	14.2 [361]	6.4 [162]	-	YELLOW	.20 [.09]	10	10	PULLING EYE	ALUMINUM
3	GD406A	.355 - .400 [9 - 10]	1/0	1/0	1/0	15.3 [389]	6.4 [162]	2 [51]	YELLOW	.40 [.18]	25	11	CLEVIS PIN	GALV. STEEL
4	GD466A	.355 - .400 [9 - 10]	1/0	1/0	1/0	15.8 [401]	6.4 [162]	2.2 [56]	YELLOW	.30 [.14]	25	12	WASHER RETAINER	GALV. STEEL
1	GD447	.400 - .470 [10 - 11]	2/0	2/0	2/0	17.8 [452]	9.3 [236]	-	GRAY	2.23 [.46]	10			
5	GD407Z	.400 - .470 [10 - 11]	2/0	2/0	2/0	17.6 [447]	9.3 [236]	-	GRAY	1.40 [.64]	10			
3	GD407	.400 - .470 [10 - 11]	2/0	2/0	2/0	15.5 [394]	9.3 [236]	2 [51]	GRAY	.76 [.35]	25			
4	GD467	.400 - .470 [10 - 11]	2/0	2/0	2/0	18.4 [467]	9.3 [236]	2.2 [56]	GRAY	1.10 [.45]	10			
1	GD448	.450 - .530 [11 - 13]	3/0	3/0	3/0	18.9 [480]	10 [254]	-	BLACK	2.40 [1.09]	10			
5	GD408Z	.450 - .530 [11 - 13]	3/0	3/0	3/0	18 [457]	10 [254]	-	BLACK	1.40 [.63]	10			
3	GD408	.450 - .530 [11 - 13]	3/0	3/0	3/0	17.6 [447]	10 [254]	2 [51]	BLACK	1.16 [.53]	25			
4	GD468	.450 - .530 [11 - 13]	3/0	3/0	3/0	19 [482]	10 [254]	2.2 [56]	BLACK	1.10 [.50]	10			
1	GD449A	.505 - .595 [13 - 15]	4/0	4/0	4/0	17.5 [444]	9 [229]	-	PINK	2.43 [1.10]	10			
5	GD409AZ	.505 - .595 [13 - 15]	4/0	4/0	4/0	17.2 [437]	9 [229]	-	PINK	1.40 [.63]	10			
3	GD409A	.505 - .595 [13 - 15]	4/0	4/0	4/0	17.6 [447]	9 [229]	2 [51]	PINK	1.00 [.45]	25			
4	GD469A	.505 - .595 [13 - 15]	4/0	4/0	4/0	18 [457]	9 [229]	2.2 [56]	PINK	1.00 [.45]	25			
1	GD5205A	.518 - .595 [13 - 15]	-	-	266.8	11.6 [295]	4.6 [117]	-	-	1.32 [.59]	25			
5	GD1205AZ	.518 - .595 [13 - 15]	-	-	266.8	12.8 [325]	4.6 [117]	-	-	1.00 [.45]	10			
3	GD1205A	.518 - .595 [13 - 15]	-	-	266.8	13.6 [345]	4.6 [117]	2 [51]	-	.64 [.29]	25			
4	GD1205AR	.518 - .595 [13 - 15]	-	-	266.8	14.4 [366]	4.6 [117]	2.2 [56]	-	.66 [.29]	50			
1	GD450*	.603 - .666 [15 - 17]	266.8 (18/1)	312.8	336.4 (1)	18.5 [470]	9.6 [224]	-	BROWN	2.70 [1.22]	10			
5	GD410Z*	.603 - .666 [15 - 17]	266.8 (18/1)	312.8	336.4 (1)	20.4 [518]	9.6 [224]	-	BROWN	1.80 [.82]	10			
3	GD410*	.603 - .666 [15 - 17]	266.8 (18/1)	312.8	336.4 (1)	16.9 [429]	9.6 [224]	2 [51]	BROWN	1.20 [.54]	25			
4	GD470*	.603 - .666 [15 - 17]	266.8 (18/1)	312.8	336.4 (1)	17.8 [452]	9.6 [224]	1.9 [48]	BROWN	1.40 [.64]	10			
1	GD451*	.659 - .724 [17 - 18]	336.4 (18/1)	394.5	397.5 (1)	18.9 [480]	10.5 [267]	-	GREEN	2.00 [.90]	10			
5	GD411Z*	.659 - .724 [17 - 18]	336.4 (18/1)	394.5	397.5 (1)	20.8 [528]	10.5 [267]	-	GREEN	2.10 [.95]	10			
3	GD411*	.659 - .724 [17 - 18]	336.4 (18/1)	394.5	397.5 (1)	17.7 [450]	10.5 [267]	2 [51]	GREEN	1.80 [.82]	10			
4	GD471*	.659 - .724 [17 - 18]	336.4 (18/1)	394.5	397.5 (1)	18.6 [472]	10.5 [267]	1.9 [48]	GREEN	1.70 [.77]	10			
5	GD412Z*	.722 - .795 [18 - 20]	397.5 (18/1)	465.4	477 (1)	19.6 [498]	11.3 [287]	-	BLUE	2.40 [1.08]	10			
3	GD412*	.722 - .795 [18 - 20]	397.5 (18/1)	465.4	477 (1)	19 [482]	11.3 [287]	2 [51]	BLUE	2.00 [.91]	10			
4	GD472*	.722 - .795 [18 - 20]	397.5 (18/1)	465.4	477 (1)	19.3 [490]	11.3 [287]	1.9 [48]	BLUE	2.00 [.91]	10			

CLEVIS & Z BAIL		
ITEM	DESCRIPTION	MATERIAL
1	SHELL	ALUMINUM
2	JAW	ALUMINUM
3	SPRING	GALVANIZED STEEL
4	BAIL	ALUMINUM OR STEEL
5	NOSE GUIDE	PLASTIC
6	PILOT CUP	PLASTIC
7	PLUG	PLASTIC
8	WASHER CLEVIS	ALUMINUM
9	COTTER PIN	STAINLESS STEEL
10	PULLING EYE	ALUMINUM
11	CLEVIS PIN	GALV. STEEL
12	WASHER RETAINER	GALV. STEEL

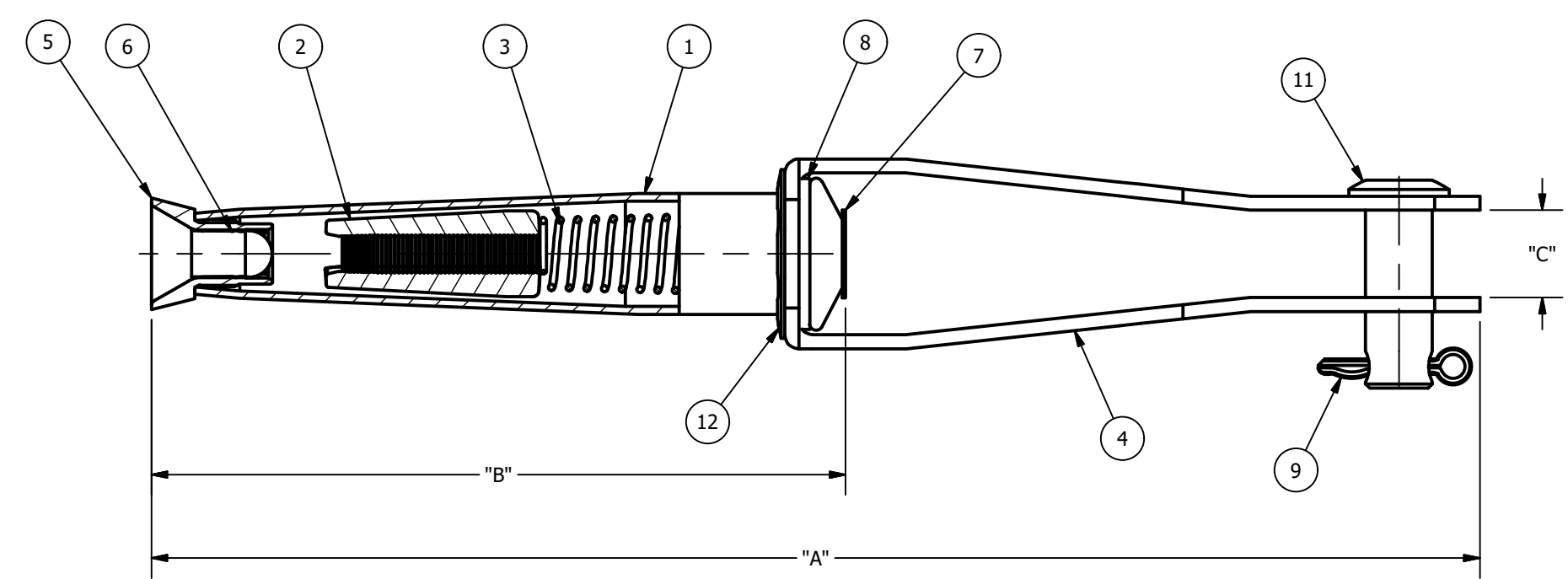


FIG 1
CLEVIS BAIL

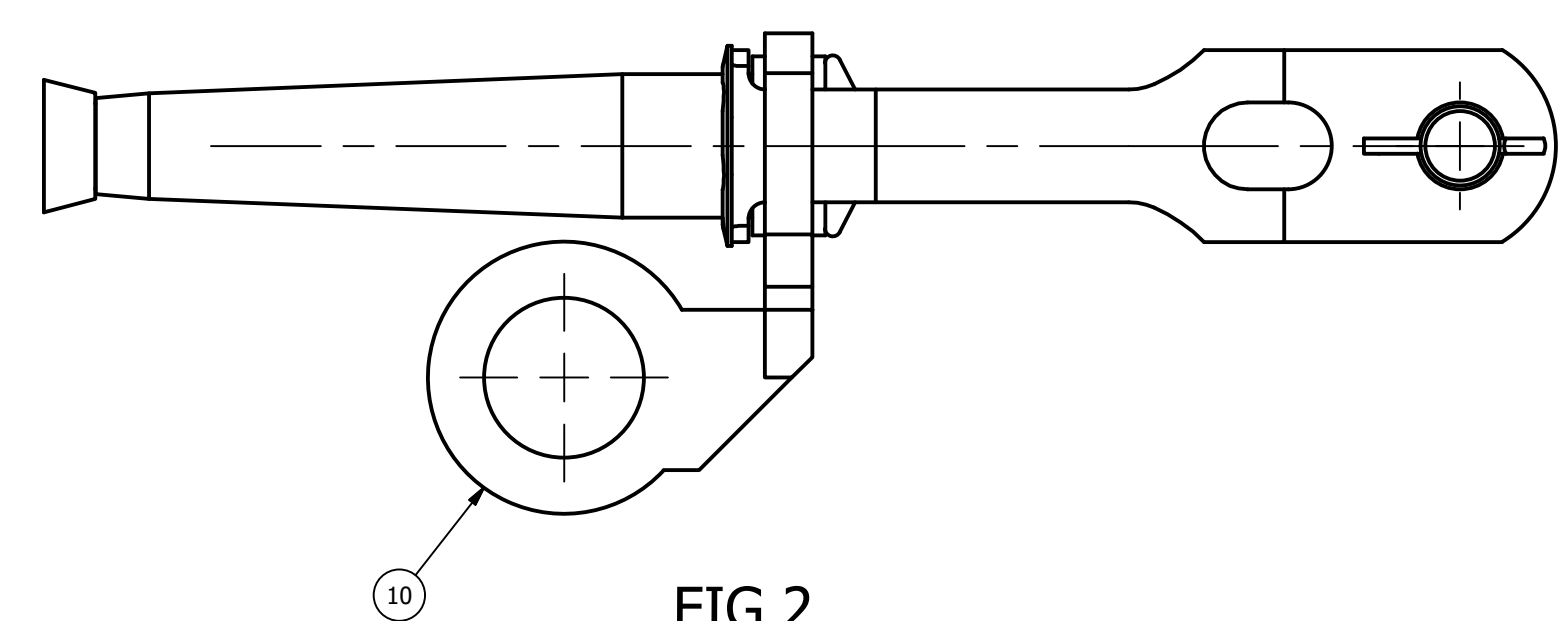


FIG 2
WITH PULLING EYE

- NOTES:
- ALL DIMENSIONS FOR REFERENCE ONLY. DISTANCE IN. [MM], FORCE LBS. [KN], TORQUE IN. LBS. [N.m], & WEIGHT LBS. [KG].
 - RATINGS:
 - * MAXIMUM DESIGN RATING 10,000 Lb/4535 kg.
 - RATED 95% OF RBS MIN.
 - CERTIFICATIONS, SPECIFICATIONS, & STANDARDS:
 - NA

75536	08/29/18	JT	SD	HPS	
EC #	DATE	CHG BY	RESP ENG		
DESC OF DWG: NEW CUSTOMER DRAWING CREATED IN INVENTOR				CONFIDENTIAL: THIS DRAWING AND ITS CONTENTS ARE CONFIDENTIAL AND THE EXCLUSIVE PROPERTY OF HUBBELL POWER SYSTEMS. NO PUBLICATION, DISTRIBUTION OR COPIES MAY BE MADE WITHOUT THE WRITTEN CONSENT OF HUBBELL POWER SYSTEMS. HUBBELL POWER SYSTEMS UNPUBLISHED ALL RIGHTS RESERVED UNDER THE COPYRIGHT LAWS	TITLE GD-440A SERIES OVERHEAD AUTOMATIC DEADEND
REASON (S) FOR CHANGE: DISPOSITION OF MAT'L:					
SIZE C		DWG NO. CC-25241		CAT / PART / ASSY NO. SEE TABLE	
DO NOT SCALE THIS DRAWING		DRN BY JT	DATE 12/22/2017	SHEET 1 OF 2	REV 00

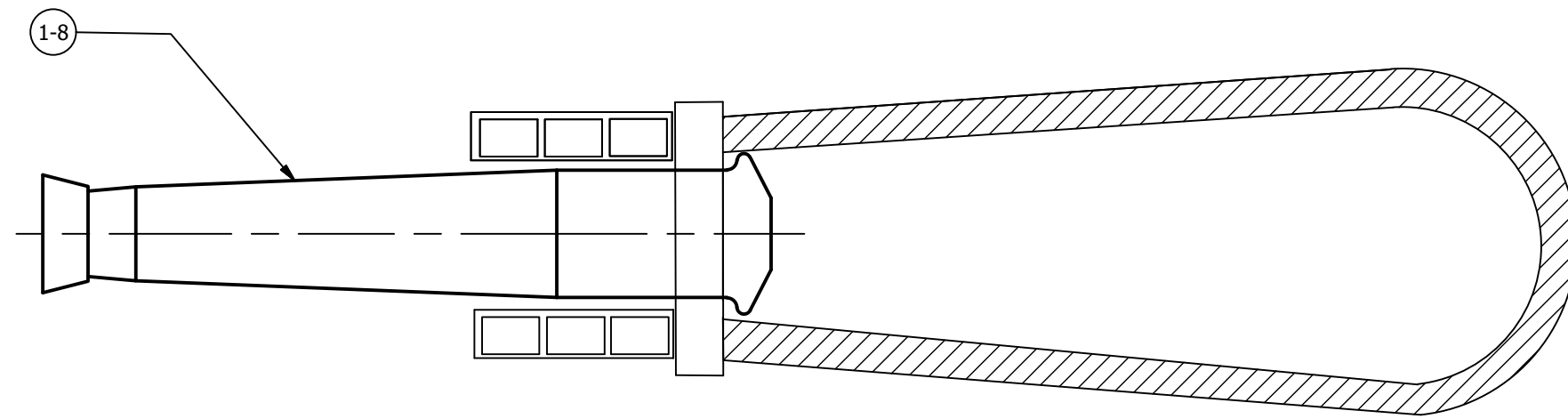


FIG 3
FLEX BAIL

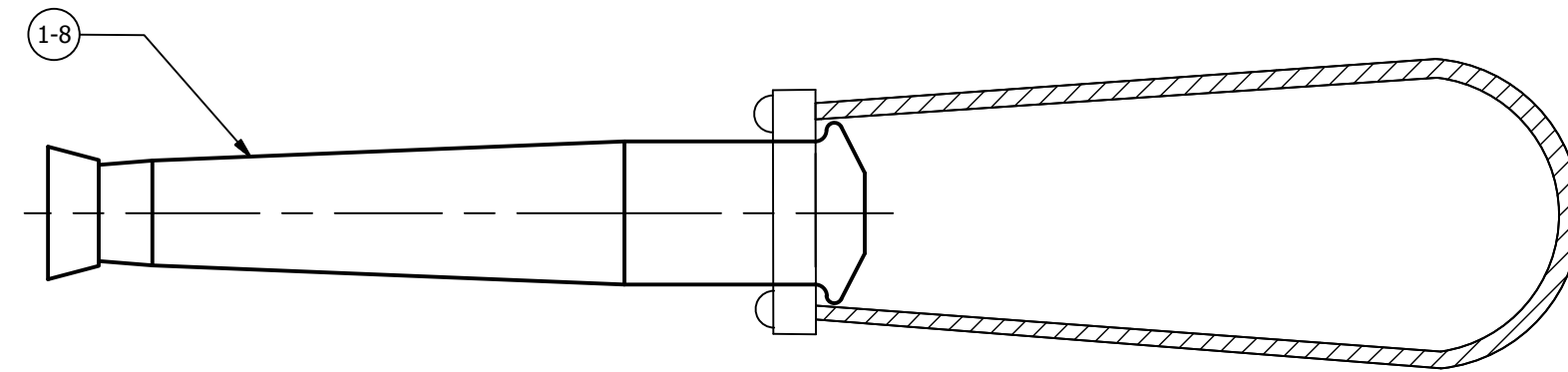


FIG 4
SEMI-FLEX BAIL

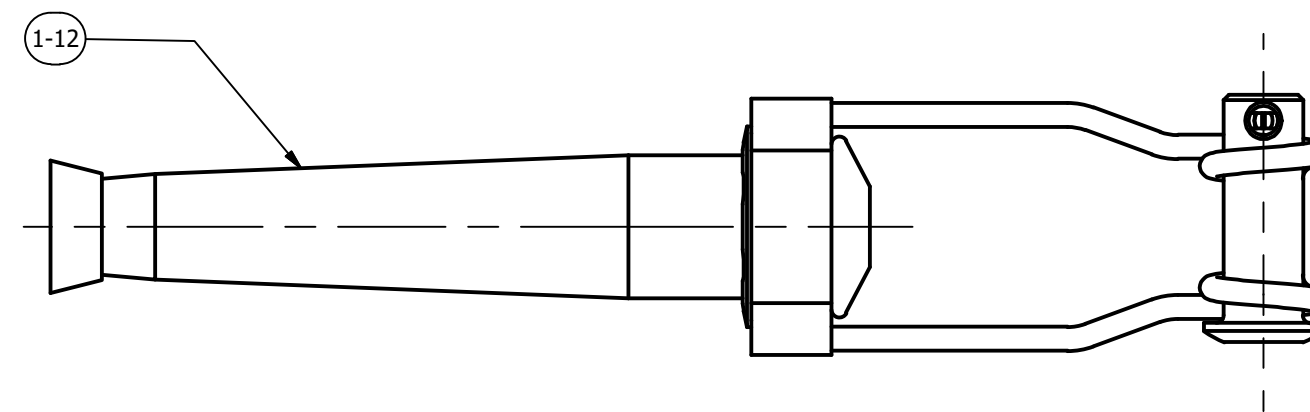



FIG 5
Z BAIL

75536	08/29/18	JT	SD	HPS	 HUBBELL POWER SYSTEMS <small>POWER SYSTEMS, INC.</small>
EC #	DATE	CHG BY	RESP ENG		
DESC OF DWG: NEW CUSTOMER DRAWING CREATED IN INVENTOR				CONFIDENTIAL: THIS DRAWING AND ITS CONTENTS ARE CONFIDENTIAL AND THE EXCLUSIVE PROPERTY OF HUBBELL POWER SYSTEMS. NO PUBLICATION, DISTRIBUTION OR COPIES MAY BE MADE WITHOUT THE WRITTEN CONSENT OF HUBBELL POWER SYSTEMS. HUBBELL POWER SYSTEMS UNPUBLISHED ALL RIGHTS RESERVED UNDER THE COPYRIGHT LAWS	TITLE GD-440A SERIES OVERHEAD AUTOMATIC DEADEND
REASON (S) FOR CHANGE: DISPOSITION OF MAT'L:					SIZE C
				DO NOT SCALE THIS DRAWING	CAT / PART / ASSY NO. SEE TABLE
				DRN BY JT	REV 00
				DATE 12/22/2017	SHEET 2 OF 2