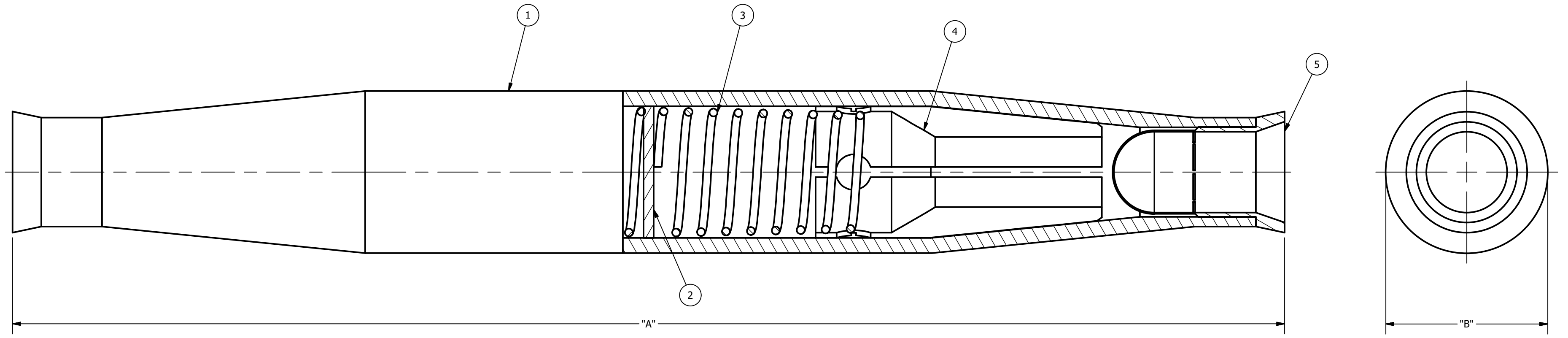


CATALOG NUMBER	CONDUCTOR RANGE (MIN - MAX)	ACSR	AAAC	AAC	DIM A	DIM B	COLOR CODE	APPROX. WT. EACH LB. [KG]	STANDARD PACK
GL1333A	.840-.920 [21.34-23.37]	556.5 (18/1)	CONSULT FARGO	636	15 [380]	2.0 [51]	NATURAL	1.960 [0.89]	10
GL1351A	.927-.940 [23.55-23.88]	556.5 (26/7)	CONSULT FARGO	652.8	16 [410]	2.0 [51]	NATURAL	1.960 [0.89]	10
GL1355A	.940-.976 [23.88-24.80]	CONSULT FARGO	CONSULT FARGO	700, 715	16 [410]	2.0 [51]	NATURAL	1.862 [0.84]	10
GL1385A	.996-1.031 [25.30-26.19]	CONSULT FARGO	CONSULT FARGO	795	16 [410]	2.0 [51]	NATURAL	1.960 [0.89]	10
GL1441A	1.100-1.140 [27.94-28.96]	795 (26/7)	CONSULT FARGO	CONSULT FARGO	16 [410]	2.0 [51]	RED	1.862 [0.84]	10

ITEM	DESCRIPTION	MATERIAL
1	TUBE	ALUMINUM
2	CENTRE STOP	STAINLESS STEEL
3	SPRING	STAINLESS STEEL OR GALVANIZED STEEL
4	CONE	ALUMINUM
5	PILOT CUP	PLASTIC



- NOTES:
- ALL DIMENSIONS FOR REFERENCE ONLY. DISTANCE IN. [MM], FORCE LBS. [kN], TORQUE IN. LBS. [N.m], & WEIGHT LBS. [KG].
  - RATINGS:
    - CLASS A CURRENT RATING PER ANSI C119.4.
    - MAXIMUM DESIGN RATING 10,000 LBS (44.5 kN).
  - CERTIFICATIONS, SPECIFICATIONS, & STANDARDS:
    - NOT APPLICABLE
  - SUFFIXES (EXAMPLE: GL1333AKR):
 

"KR" - CORROSION RESISTANT SPLICE. (EXAMPLE: GL1333AKR)

79042	7/01/19	ADD	SD	<b>HPS</b>	<b>HUBBELL POWER SYSTEMS</b> <small>POWER SYSTEMS, INC.</small>
EC #	DATE	CHG BY	RESP ENG		
DESC OF DWG: CHANGED GL1441A ACSR & AAC DIMENSION				CONFIDENTIAL: THIS DRAWING AND ITS CONTACTS ARE CONFIDENTIAL AND THE EXCLUSIVE PROPERTY OF HUBBELL POWER SYSTEMS. NO PUBLICATION, DISTRIBUTION OR COPIES MAY BE MADE WITHOUT THE WRITTEN CONSENT OF HUBBELL POWER SYSTEMS. HUBBELL POWER SYSTEMS UNPUBLISHED ALL RIGHTS RESERVED UNDER THE COPYRIGHT LAWS	TITLE <b>OVERHEAD LINE SPLICES          AUTOMATIC ALUMINUM</b>
REASON (S) FOR CHANGE: DISPOSITION OF MAT'L:					SIZE <b>C</b>
				CAT / PART / ASSY NO. <b>SEE TABLE</b>	REV <b>01</b>
				DO NOT SCALE THIS DRAWING	DRN BY JT DATE 01/25/2018 SHEET 1 OF 1