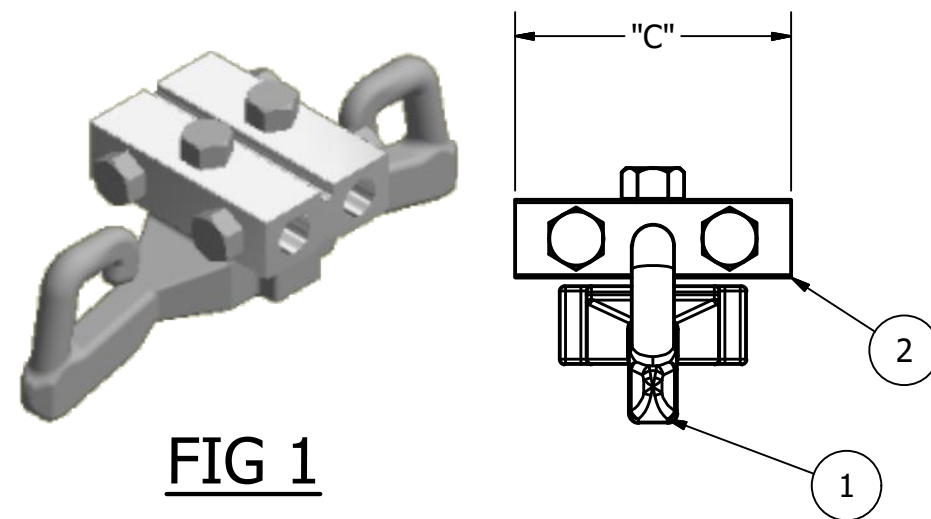
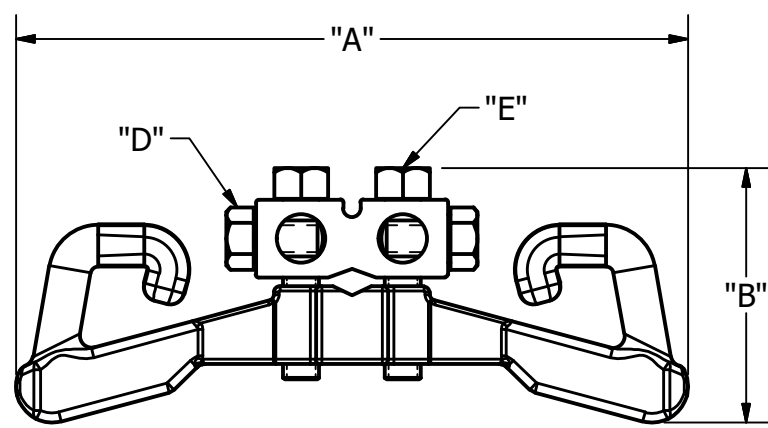
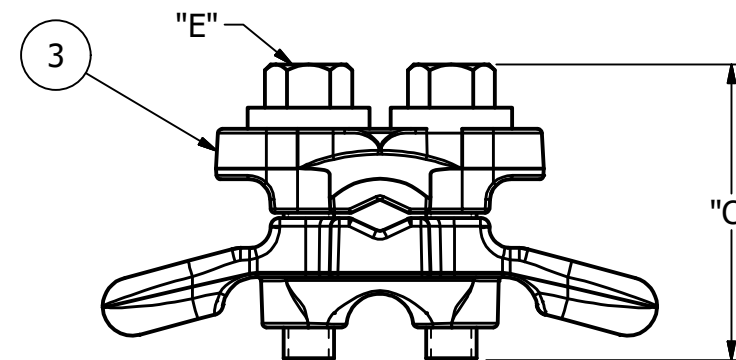
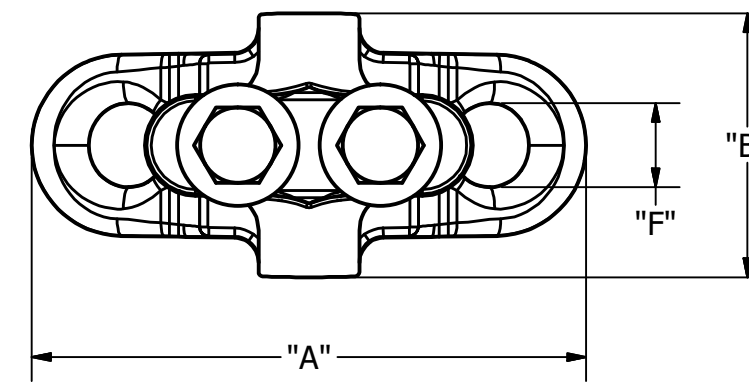


		CONDUCTOR RANGE, ACSR									
FIG. NO.	CATALOG NO.	RUN (MIN - MAX)	TAP (MIN - MAX)	DIM "A"	DIM "B"	DIM "C"	DIM "D"	DIM "E"	DIM "F"	WEIGHT	STANDARD PACK
1	GM124A	4 - 4/0	6 - 2/0	7.000 [177.80]	2.625 [66.68]	2.875 [73.03]	0.500 [12.70]	0.375 [9.53]	-	.920 [.41]	25
2	GM125A	4 - 4/0	6 - 2/0	4.125 [104.78]	2.250 [57.15]	2.875 [73.03]	0.500 [12.70]	0.375 [9.53]	0.625 [15.88]	.640 [.29]	25
3	GM104A	4 - 336.4	-	4.125 [104.78]	2.000 [50.80]	2.125 [53.98]	-	0.375 [9.53]	0.625 [15.88]	.400 [.18]	50
4	GM1091A	2 - 4/0	6 - 1/0	3.375 [85.73]	1.875 [47.63]	2.0625 [52.40]	-	0.375 [9.53]	0.625 [15.88]	.510 [.23]	50

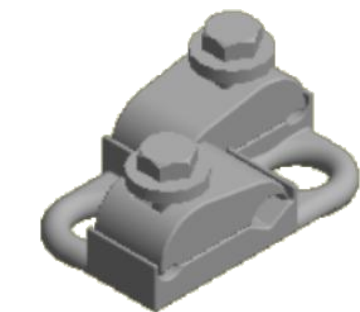
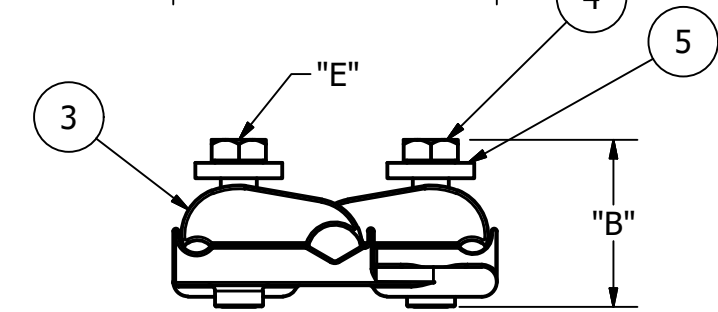
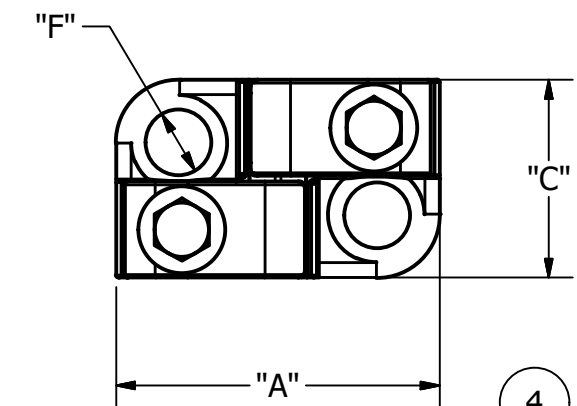
ITEM	DESCRIPTION	MATERIAL
1	CASTING	ALUMINUM
2	EXTRUSION	ALUMINUM
3	PRESSURE PAD	ALUMINUM
4	HEX BOLT	STAINLESS STEEL
5	WASHER	STAINLESS STEEL



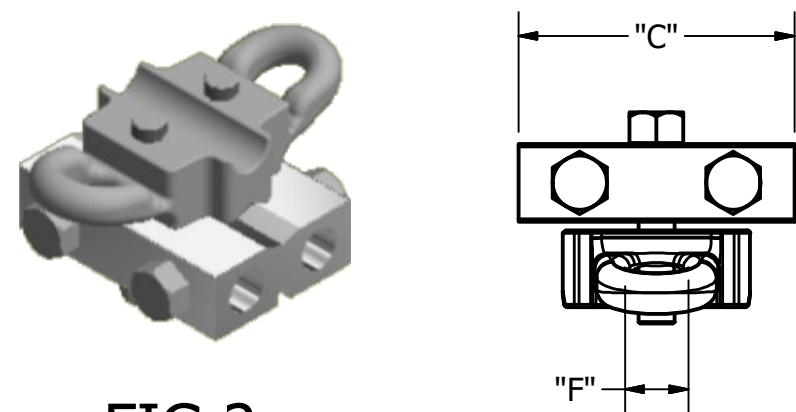
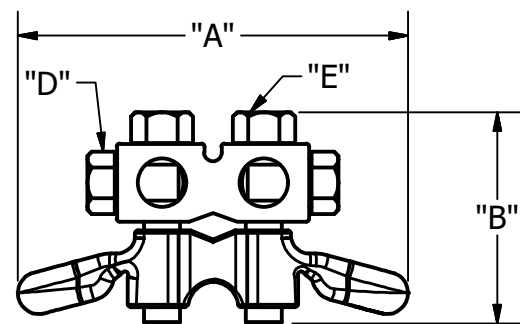
**FIG 1**



**FIG 3**



**FIG 4**



**FIG 2**

**NOTES:**

- ALL DIMENSIONS FOR REFERENCE ONLY. DISTANCE IN. [MM], FORCE LBS. [kN], TORQUE IN. LBS. [N.m], & WEIGHT LBS. [KG].
- RATINGS:
  - RECOMENDED HARDWARE TORQUE:  
3/8" BOLT- 240 IN. LBS.  
1/2" BOLT- 480 IN. LBS.
- CERTIFICATIONS, SPECIFICATIONS, & STANDARDS:
  - NA
- SUFFIXES & VARIANT CONFIGURATION:
  - "L" - INHIBITOR PROTECTION AND INDIVIDUALLY BAGGED

79080	07/02/19	hd	RG	HPS.	<b>HUBBELL® POWER SYSTEMS</b> POWER SYSTEMS, INC.
EC #	DATE	CHG BY	RESP ENG		
DESC OF DWG: INITIAL RELEASE NEW CUSTOMER DRAWING				CONFIDENTIAL: THIS DRAWING AND ITS CONTACTS ARE CONFIDENTIAL AND THE EXCLUSIVE PROPERTY OF HUBBELL POWER SYSTEMS. NO PUBLICATION, DISTRIBUTION OR COPIES MAY BE MADE WITHOUT THE WRITTEN CONSENT OF HUBBELL POWER SYSTEMS. HUBBELL POWER SYSTEMS UNPUBLISHED ALL RIGHTS RESERVED UNDER THE COPYRIGHT LAWS	TITLE <b>GM, BOLTED MIDSPANS TAPS</b>
REASON (S) FOR CHANGE: DISPOSITION OF MAT'L:					
DO NOT SCALE THIS DRAWING		DRN BY <b>SUR</b>	DATE <b>04/01/2019</b>	SHEET <b>1 OF 1</b>	