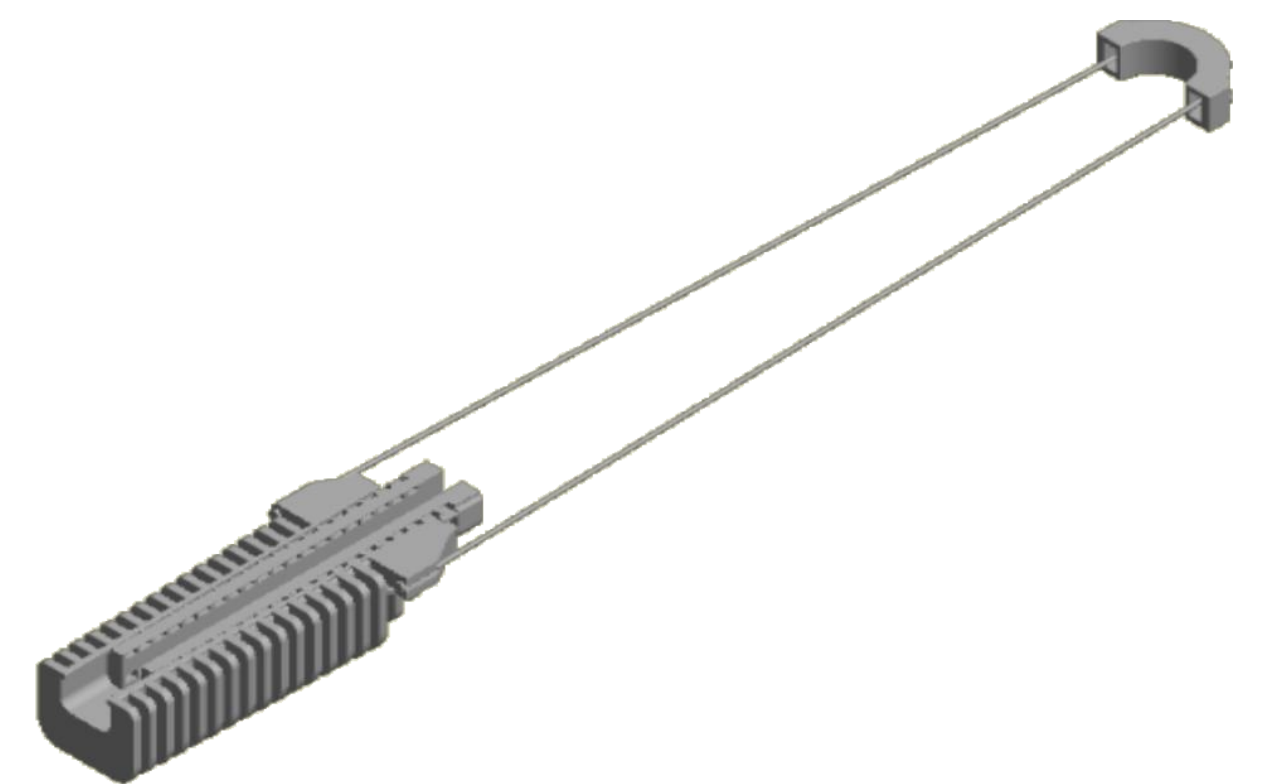
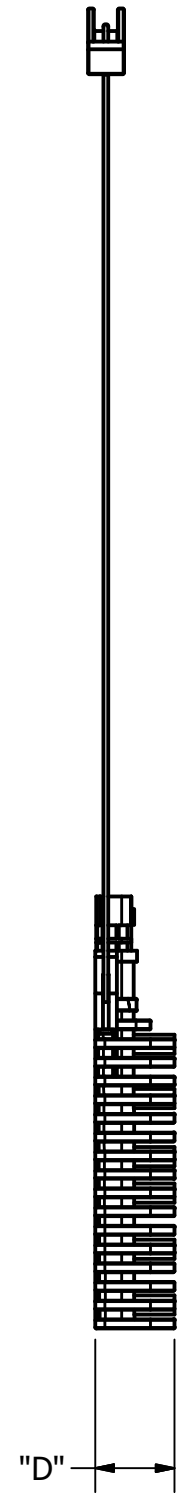
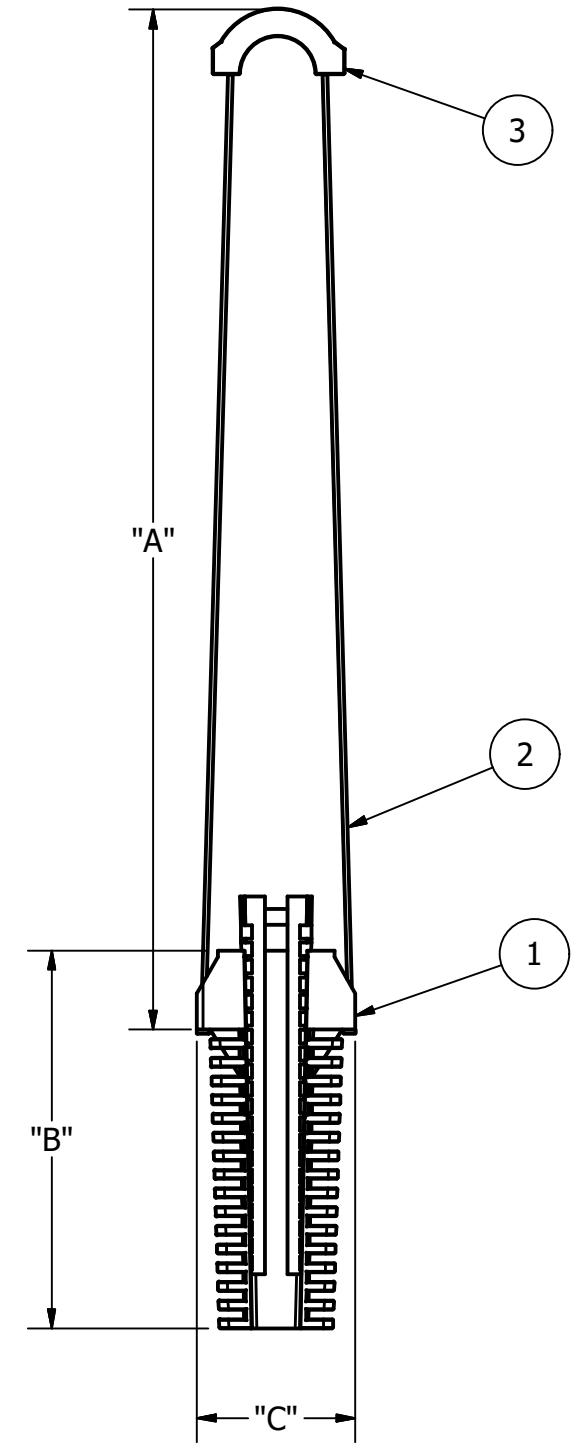


CATALOG NO.	CABLE TYPE	DIM "A"	DIM "B"	DIM "C"	DIM "D"	ULTIMATE BODY STRENGTH	WEIGHT	STANDARD PACK
WEGRPX	CORNING RPX	21.25 [539.8]	7.87 [200]	3.3 [83.8]	1.65 [42]	1650 [748.43]	.884 [.40]	30

ITEM	DESCRIPTION	MATERIAL
1	BODY	THERMOPLASTIC
2	BAIL	STAINLESS STEEL
3	BAIL CAP	THERMOPLASTIC



NOTES:

- ALL DIMENSIONS FOR REFERENCE ONLY. DISTANCE IN. [MM], FORCE LBS. [kN], TORQUE IN. LBS. [N.m], & WEIGHT LBS. [KG].
- RATINGS:
A. NA
- CERTIFICATIONS, SPECIFICATIONS, & STANDARDS:
A. UV RESISTANT
- SUFFIXES & VARIANT CONFIGURATION:
A. NA

80047	09/25/19	RG	RG	HPS.	HUBBELL® POWER SYSTEMS <small>POWER SYSTEMS, INC.</small>			
EC #	DATE	CHG BY	RESP ENG					
DESC OF DWG: INITIAL RELEASE				<small>CONFIDENTIAL: THIS DRAWING AND ITS CONTACTS ARE CONFIDENTIAL AND THE EXCLUSIVE PROPERTY OF HUBBELL POWER SYSTEMS. NO PUBLICATION, DISTRIBUTION OR COPIES MAY BE MADE WITHOUT THE WRITTEN CONSENT OF HUBBELL POWER SYSTEMS. HUBBELL POWER SYSTEMS UNPUBLISHED ALL RIGHTS RESERVED UNDER THE COPYRIGHT LAWS</small>	TITLE WEGRPX. RPX WEDGE DEADEND			
REASON (S) FOR CHANGE: DISPOSITION OF MAT'L:					<table border="1"> <tr> <td>SIZE C</td> <td>DWG NO. CC-26369</td> <td>CAT / PART / ASSY NO. WEGRPX</td> <td>REV 00</td> </tr> </table>	SIZE C	DWG NO. CC-26369	CAT / PART / ASSY NO. WEGRPX
SIZE C	DWG NO. CC-26369	CAT / PART / ASSY NO. WEGRPX	REV 00					
DO NOT SCALE THIS DRAWING		DRN BY	RG	DATE	09/25/19	SHEET	1 OF 1	