

FIG	CATALOG NO.	DESCRIPTION	TRAY	LID	CHIP	GOODIE BAG	DIM A	DIM B	HEIGHT	STANDARD PACK
1	PSCSTPS24	PLASTIC SPLICE TRAY 24 FIBER STD SIZE	1	1	2	1	12.00 [304.8]	4.59 [116.581]	0.36 [9.144]	1
2	PSCSTPS48	PLASTIC SPLICE TRAY 48 FIBER WIDE SIZE	1	1	4	1	12.197 [309.801]	5.27 [133.858]	0.40 [10.16]	1
3	PSCSTPS24T	PLASTIC SPLICE TRAY 24 FIBER STD TALL	1	1	1	1	12.00 [304.8]	4.59 [116.581]	0.65 [16.51]	1
4	PSCSTPR144	PLASTIC SPLICE STD TRAY 144 MASS FUSION	1	1	1	1	12.00 [304.8]	4.59 [116.581]	0.65 [16.51]	1
5	PSCSTPS72	PLASTIC SPLICE TRAY 72 FIBER WIDE SIZE	1	1	3	2	12.197 [309.801]	5.27 [133.858]	0.65 [16.51]	1
6	PSCSTPR288	PLASTIC SPLICE WIDE TRAY 288 MASS FUSION	1	1	2	1	12.197 [309.801]	5.27 [133.858]	0.65 [16.51]	1
7	PSCSTPTT	PLASTIC SPLICE STD TRANSITION TRAY	1	1	0	0	12.00 [304.8]	4.59 [116.581]	0.65 [16.51]	1
8	PSCSTPTTW	PLASTIC SPLICE WIDE TRANSITION TRAY	1	1	0	0	12.197 [309.801]	5.27 [133.858]	0.65 [16.51]	1

ITEM	DESCRIPTION	MATERIAL
1	TRAY	PLASTIC
2	CHIP	EPDM
3	TRAY LID	PLASTIC
4	GOODIE BAG (SEE BELOW)	PLASTIC/FELT

GOODIE BAG		
ITEM	QUANTITY	DESCRIPTION
1	10	4IN TIE WRAP
2	1	1" WIDE X 9" LONG FELT
3	1	ZIP LOCK BAG, 3" X 4"
4	AS RQ	LAMINATE STOCK
5	AS RQ	RIBBON STOCK

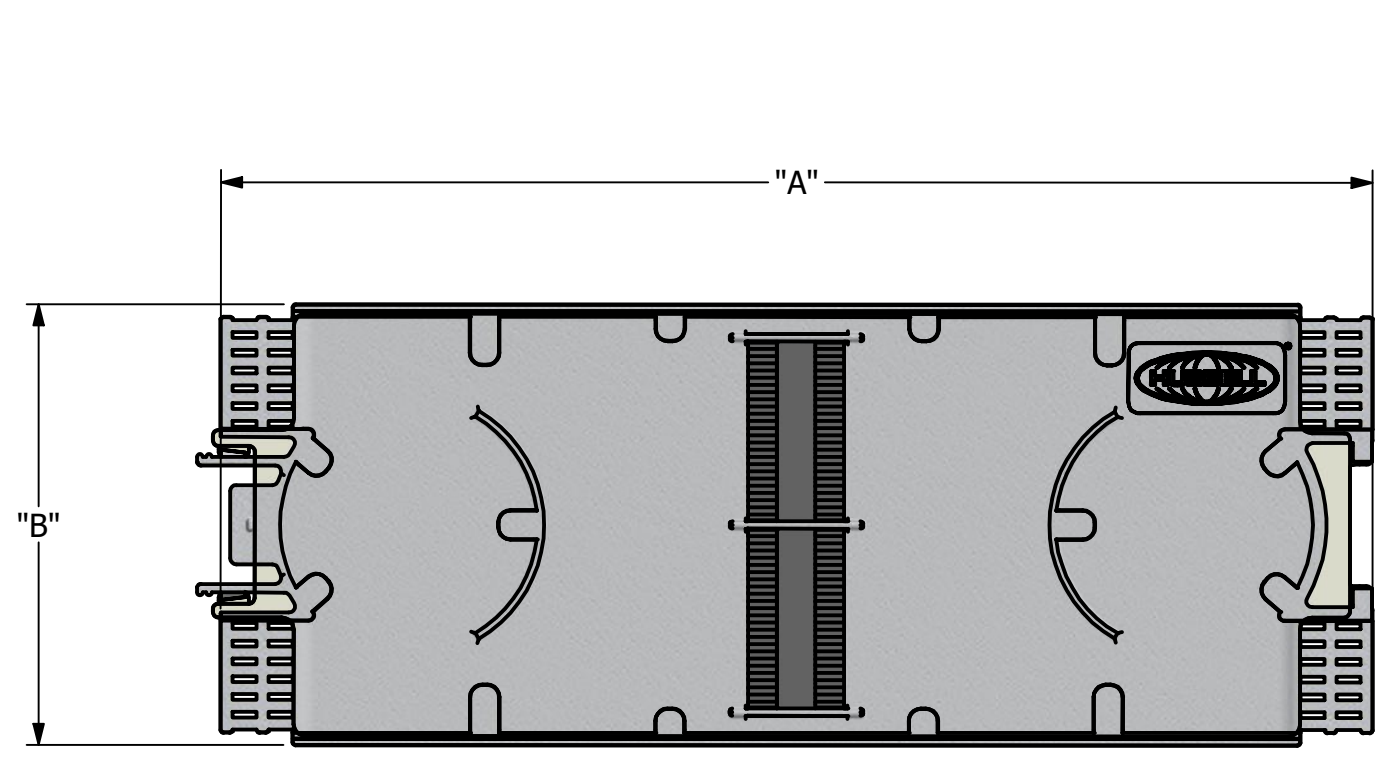


FIG. 1

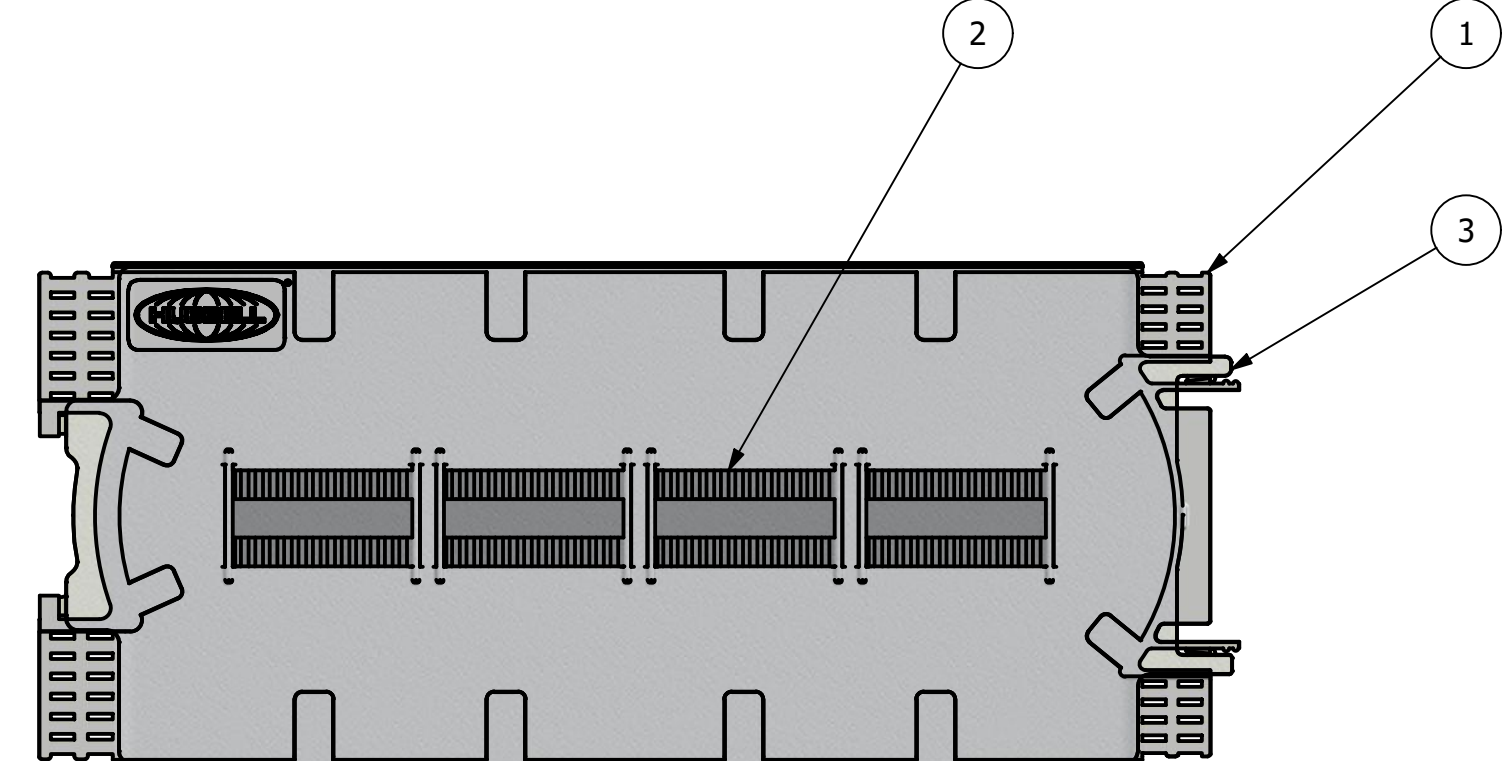


FIG. 2

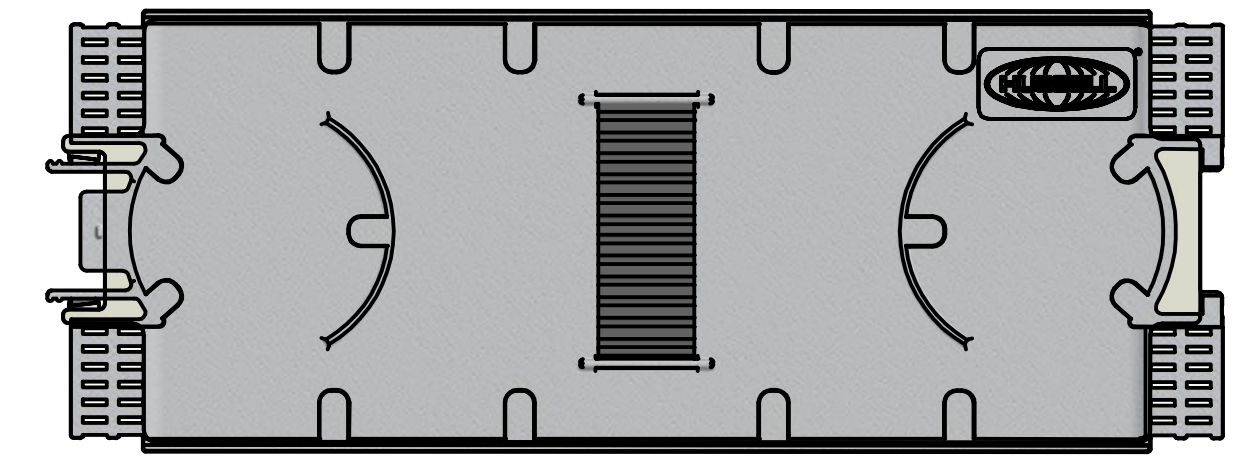


FIG. 3

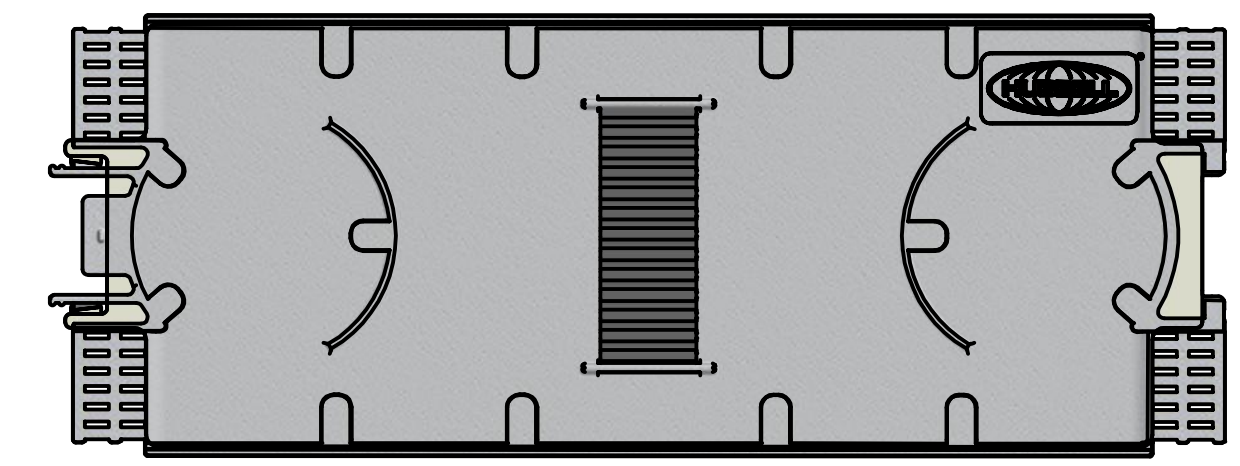


FIG. 4

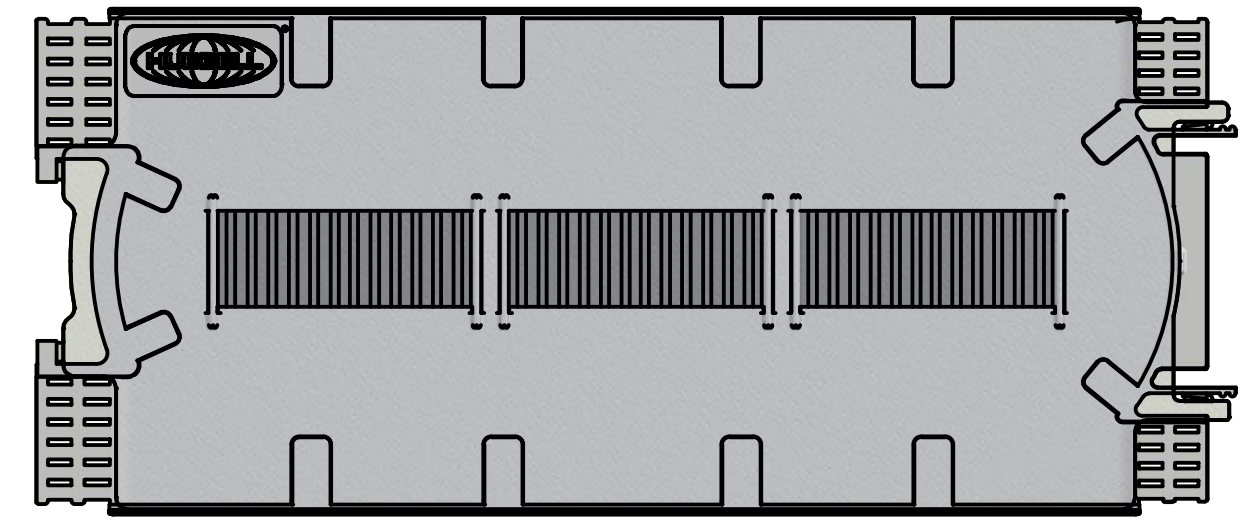


FIG. 5

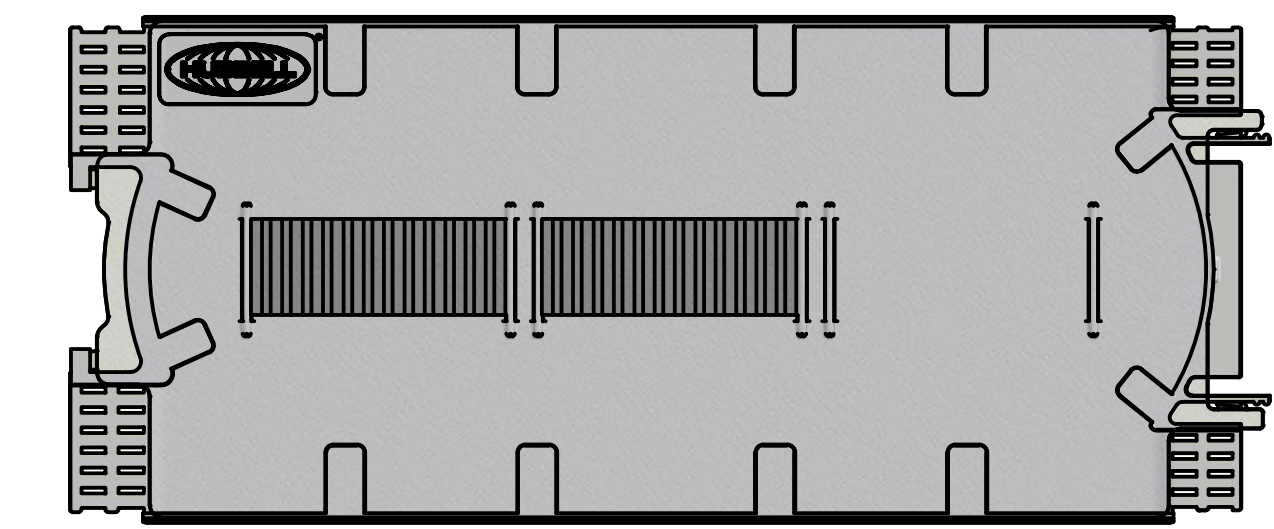


FIG. 6

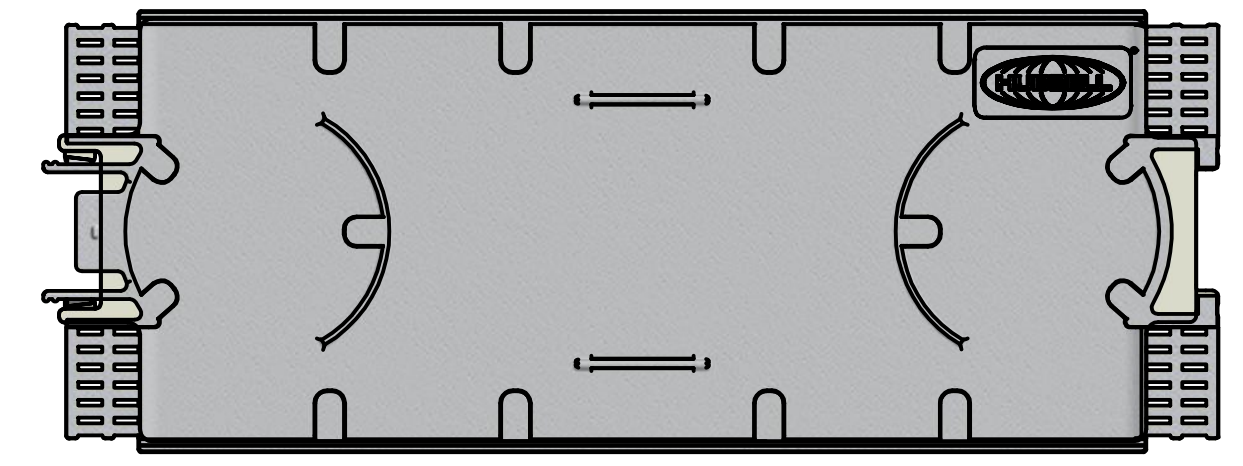


FIG. 7

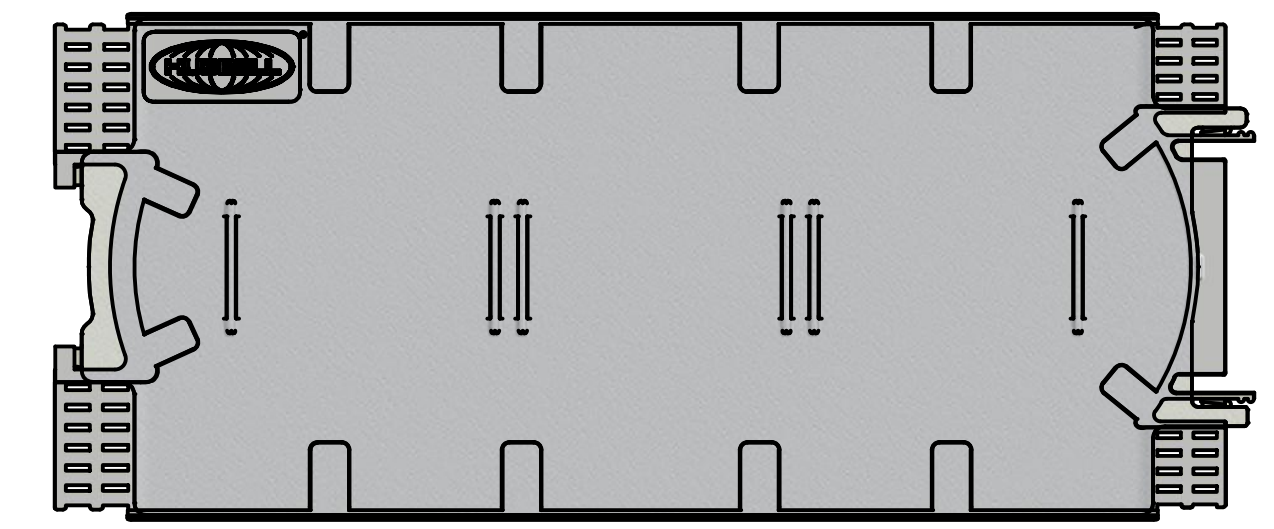


FIG. 8

NOTES:

- ALL DIMENSIONS FOR REFERENCE ONLY. DISTANCE IN. [MM], FORCE LBS. [KN], TORQUE IN. LBS. [N.m], & WEIGHT LBS. [KG]
- RATINGS:
  - NA
- CERTIFICATIONS, SPECIFICATIONS, & STANDARDS:
  - NA
- SUFFIXES & VARIANT CONFIGURATION:
  - NA

200604103850	6/4/2020	RG	JJ	NR
EC #	DATE	CHANGED BY	CHECKED BY	APPROVED BY
DESCRIPTION:				WEIGHT, LBS
INITIAL RELEASE				0
ADDITIONAL COMMENTS: --				

THIRD ANGLE PROJECTION

CONFIDENTIAL: THIS DRAWING AND ITS CONTENTS ARE CONFIDENTIAL AND THE EXCLUSIVE PROPERTY OF HUBBELL POWER SYSTEMS, INC. NO PUBLICATION, DISTRIBUTION OR COPIES MAY BE MADE WITHOUT THE WRITTEN CONSENT OF HUBBELL POWER SYSTEMS, INC. HUBBELL POWER SYSTEMS UNPUBLISHED ALL RIGHTS RESERVED UNDER THE COPYRIGHT LAWS

**HUBBELL** POWER SYSTEMS, Inc.

TITLE: PSCSTP FAMILY, PLASTIC TRAY KITS

CATALOG NUMBER: REFER TO TABLE

SIZE	DWG NO.	PART / ASSY NO.	REV
D	CC-26785	--	00

SCALE: 0.50 DRN BY: RG DATE: 5/4/2020 SHEET 1 OF 1