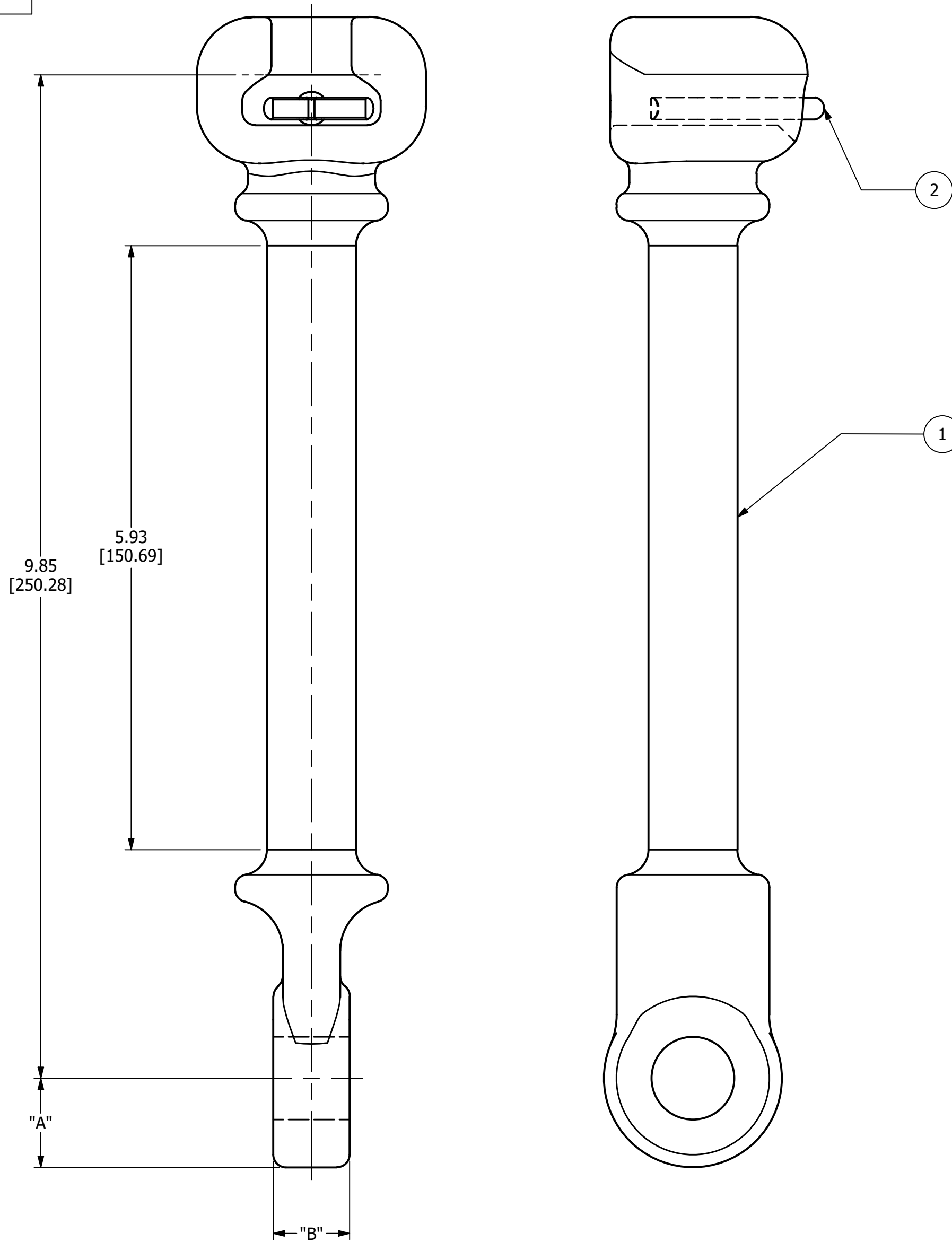


ITEM	DESCRIPTION	MATERIAL
1	HOTLINE SOCKET EYE	GALVANIZED FORGED STEEL
2	COTTER KEY	STAINLESS STEEL

CATALOG NO.	DIM "A"	DIM "B"	ULT. STRENGTH	WEIGHT
HSE1000613CVN	0.875 [22.22]	0.75 [19.05]	30,000 [133]	3.04 [1.38]
HSE10010CVN	1.00 [25.40]	1.00 [25.40]	30,000 [133]	3.24 [1.47]



NOTES:

- ALL DIMENSIONS FOR REFERENCE ONLY. DISTANCE IN. [MM], FORCE LBS. [kN], TORQUE IN. LBS. [N.m], & WEIGHT LBS. [KG]
- RATINGS
 - ULTIMATE STRENGTH: SEE TABLE
- SUFFIXES & VARIANT CONFIGURATION:
 - "CVN" - INDICATES HARDWARE GALV. PER CSA G164 AND CLEVIS BOLT CHARPY LEVEL 1 COMPLIANT 20 JOULES AT -20°C

200908000411	9/8/2020	TDO	NR	NR
EC #	DATE	CHANGED BY	CHECKED BY	APPROVED BY
DESCRIPTION:				WEIGHT, LBS
INITIAL RELEASE				0

PRELIMINARY ONLY

ADDITIONAL COMMENTS: --

THIRD ANGLE PROJECTION

CONFIDENTIAL: THIS DRAWING AND ITS CONTENTS ARE CONFIDENTIAL AND THE EXCLUSIVE PROPERTY OF HUBBELL POWER SYSTEMS. NO PUBLICATION, DISTRIBUTION OR COPIES MAY BE MADE WITHOUT THE WRITTEN CONSENT OF HUBBELL POWER SYSTEMS. HUBBELL POWER SYSTEMS UNPUBLISHED ALL RIGHTS RESERVED UNDER THE COPYRIGHT LAWS

HUBBELL POWER SYSTEMS, Inc.

TITLE: **HOTLINE SOCKET EYE**

CATALOG NUMBER: **SEE TABLE**

SIZE	DWG NO.	PART / ASSY NO.	REV
C	CC-26978	--	0

SCALE: -- DRN BY: TDO DATE: 8/20/2020 SHEET 1 OF 1