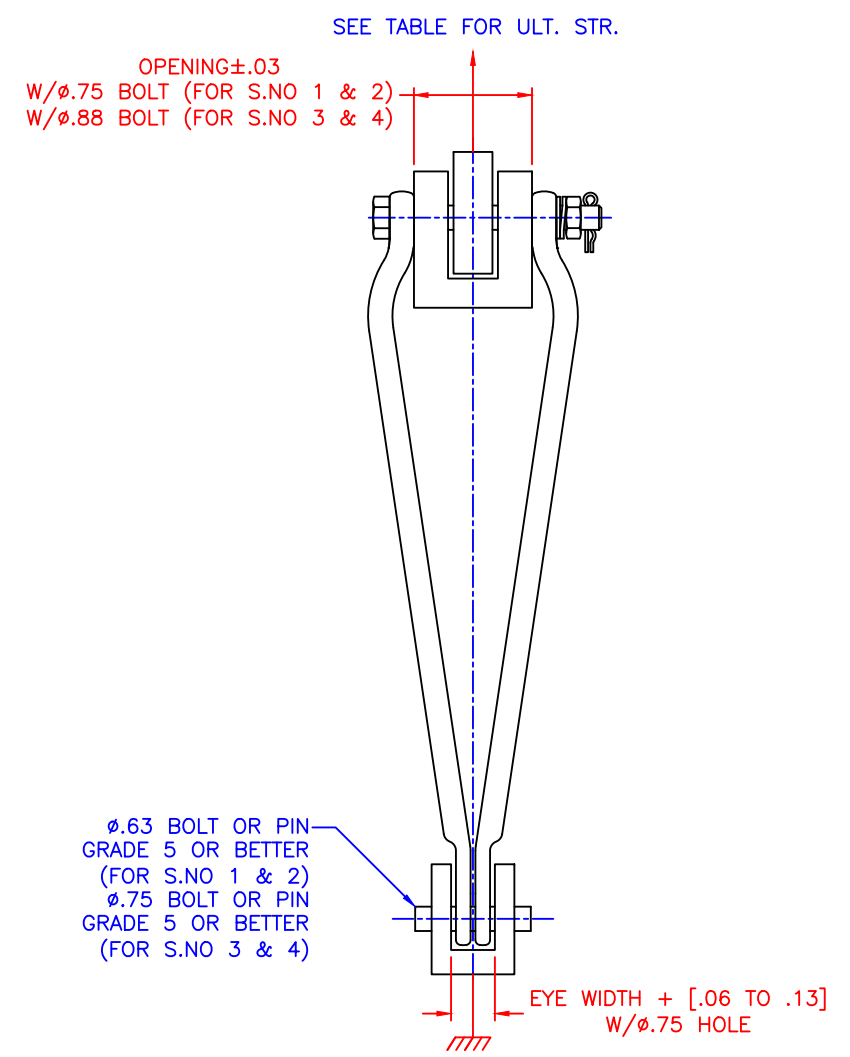
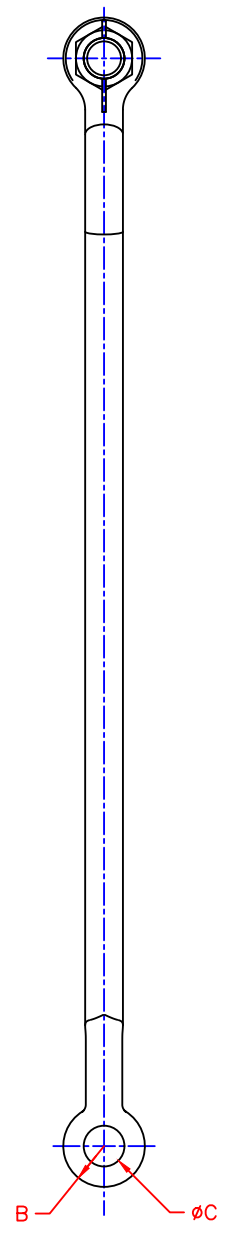
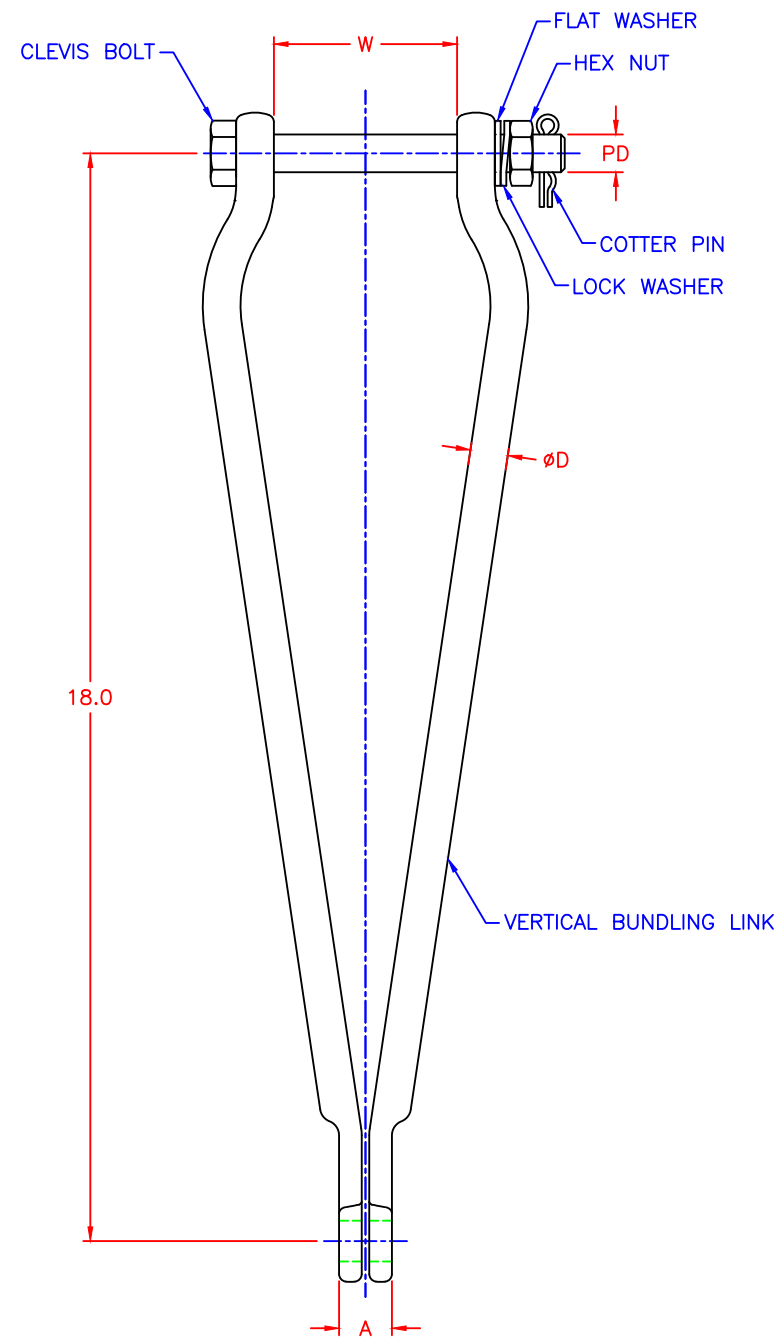


S.NO	CATALOG NUMBER	ULT. STR. (LBS)	A	B	C	D	W	PD
1	BLVE5	20,000	.88	.68	.68	.63	3.03	.63
2	BLVF6	25,000	1.13	.68	.68	.63	3.75	.63
3	BLVG7	25,000	1.13	.81	.81	.75	3.85	.75
4	BLVH8	25,000	1.13	.81	.81	.75	4.31	.75



- NOTES:**
- MATERIAL: VERTICAL BUNDLING LINK – GALV. STEEL
CLEVIS BOLT, FLAT WASHER, LOCK WASHER & HEX NUT – GALV. STEEL
COTTER PIN – STAINLESS STEEL
 - HOT DIP GALVANIZED PER CSA G164.
 - DIMENSIONS IN INCHES.
 - ANDERSON SPEC 2431 AND 58034.

EC #	DATE	CHG BY	NGD	NR	APPD BY
---	---	---	---	---	---
DESC OF DWG: DRAWING CREATED IN AUTOCAD					<p>THIRD ANGLE PROJECTION</p> <p>CONFIDENTIAL: THIS DRAWING AND ITS CONTENTS ARE CONFIDENTIAL AND THE EXCLUSIVE PROPERTY OF HUBBELL POWER SYSTEMS. NO PUBLICATION, DISTRIBUTION, OR COPIES MAY BE MADE WITHOUT THE WRITTEN CONSENT OF HUBBELL POWER SYSTEMS. HUBBELL POWER SYSTEMS UNPUBLISHED ALL RIGHTS RESERVED UNDER THE COPYRIGHT LAWS.</p>
<p style="text-align: center;">PRELIMINARY ONLY</p>					
HUBBELL POWER SYSTEMS, Inc.					
TITLE BUNDLING LINK VERTICAL ASSEMBLY					
CATALOG NUMBER: SEE TABLE					
SIZE	DWG NO.	PART / ASSY NO.		REV	
B	CC-27004	SEE TABLE		A	
SCALE: NS	DRN BY: KD	DATE: 09/11/20	SHEET 1 OF 1		