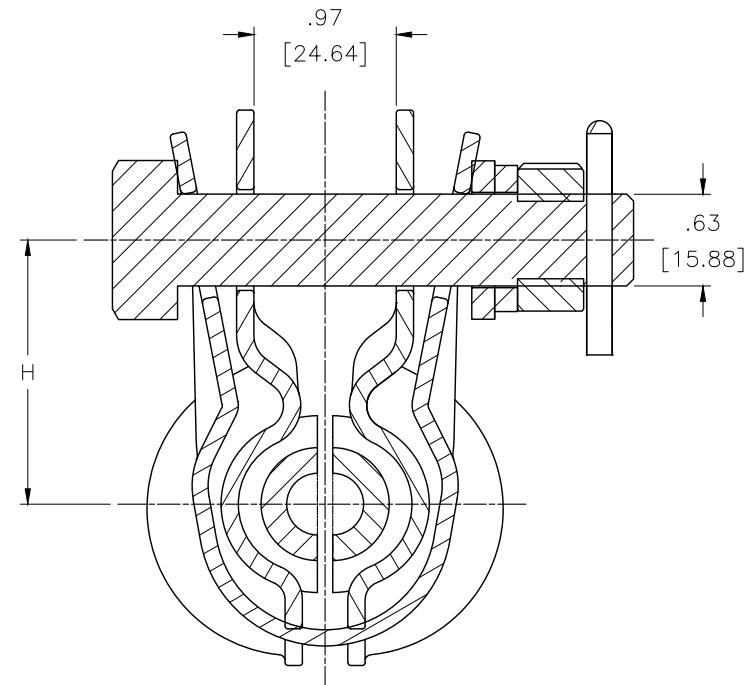
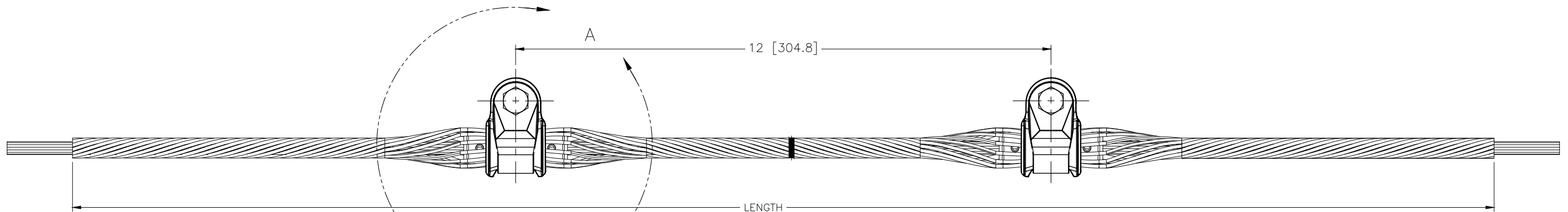


DETAIL A



SECTION A-A



NOTES:

1. MATERIAL: CLAMP BODY, STRAP – ALUMINUM ALLOY
 RUBBER INSERT – EPDM RUBBER
 HELICAL RODS – DSWHCSAGSXXXX – GALVANIZED STEEL
 DSWHCSAAWXXXX – ALUMINUM CLAD
 HARDWARE (BOLT, NUT, FLAT WASHER & LOCK WASHER) – GALV.

2. DIMENSIONS IN INCHES [MILLIMETER]
3. MAXIMUM TAKE OFF ANGLE = 30° – 60°
4. SLIP LOAD IS 8 – 11% OF CONDUCTOR RBS. CONTACT HUBBELL FOR MORE INFORMATION.
5. BODY, STRAP AND RUBBER INSERT CAN BE IDENTIFIED BY THE CONDUCTOR RANGE MARKED ON THEM. HELICAL RODS HAVE CONDUCTOR RANGE MARKED ON A TAG ATTACHED TO THE BUNDLE AS WELL AS THE COLOR PAINT MARK. PLEASE NOTE SOME PARTS HAVE LARGER RANGES AND CAN BE USED ON MULTIPLE SIZES.

EC #	DATE	CHG BY	CKD BY	APPD BY
--	--	--	NGD	NR
DESC OF DWG: DRAWING CREATED IN AUTOCAD				
--				
--				
--				
REASON (S) FOR CHANGE: --				
DISPOSITION OF MAT'L: --				

PRELIMINARY ONLY

THIRD ANGLE PROJECTION

CONFIDENTIAL: THIS DRAWING AND ITS CONTENTS ARE CONFIDENTIAL AND THE EXCLUSIVE PROPERTY OF HUBBELL POWER SYSTEMS. NO PUBLICATION, DISTRIBUTION, OR COPIES MAY BE MADE WITHOUT THE WRITTEN CONSENT OF HUBBELL POWER SYSTEMS. HUBBELL POWER SYSTEMS UNPUBLISHED ALL RIGHTS RESERVED UNDER THE COPYRIGHT LAWS.

HUBBELL POWER SYSTEMS, Inc.

TITLE: DOUBLE SHIELD WIRE HELICAL CUSHION SUSPENSION ASSEMBLY

CATALOG NUMBER: SEE SHEET 2

SIZE: B	DWG NO.: CC-27006	PART / ASSY NO.: SEE SHEET 2	REV: A
SCALE: NS	DRN BY: KD	DATE: 09/14/20	SHEET 1 OF 2

4				3		2		1			
CATALOG NUMBER	CONDUCTOR DIA. RANGE INCHES [MM]	HELICAL ROD COLOR CODE	RODS PER SET	H	TYPE	L INCHES [MM]	LENGTH INCHES [MM]	WEIGHT LBS [KG]			
DSWHCSAGS0283	0.272-0.283 [6.91-7.19]	BLUE	8	2.19 [55.5]	GALV. STEEL	3.25 [83]	38.0 [965]	2.38 [1.08]			
DSWHCSAGS0294	0.284-0.294 [7.21-7.47]	RED	9			3.25 [83]		2.52 [1.14]			
DSWHCSAGS0303	0.295-0.303 [7.49-7.70]	BROWN				3.25 [83]					
DSWHCSAGS0315	0.304-0.315 [7.72-8.00]	BLACK				3.25 [83]					
DSWHCSAGS0327	0.316-0.327 [8.02-8.31]	GREEN				3.25 [83]					
DSWHCSAGS0342	0.328-0.342 [8.33-8.69]	PURPLE	10			3.25 [83]				2.69 [1.22]	
DSWHCSAGS0355	0.343-0.355 [8.71-9.02]	BROWN				3.25 [83]					
DSWHCSAGS0374	0.356-0.374 [9.04-9.45]	ORANGE				3.25 [83]					
DSWHCSAGS0389	0.375-0.389 [9.47-9.88]	BLUE				3.25 [83]					
DSWHCSAGS0404	0.390-0.404 [9.90-10.26]	RED	11			4.00 [102]					3.74 [1.70]
DSWHCSAGS0418	0.405-0.418 [10.28-10.62]	BROWN				4.00 [102]					
DSWHCSAGS0434	0.419-0.434 [10.64-11.02]	BLACK				4.00 [102]					
DSWHCSAGS0450	0.435-0.450 [11.04-11.43]	GREEN		4.00 [102]							
DSWHCSAGS0470	0.451-0.470 [11.45-11.94]	PURPLE		4.00 [102]							
DSWHCSAGS0481	0.471-0.481 [11.96-12.22]	BROWN		4.00 [102]							
DSWHCSAGS0500	0.482-0.500 [12.24-12.70]	BLUE	12	4.00 [102]	57.0 [1448]	4.82 [2.19]					
DSWHCSAAW0283	0.272-0.283 [6.91-7.19]	BLUE	9	2.19 [55.5]	ALUMINUM CLAD	3.25 [83]	38.0 [965]	2.36 [1.07]			
DSWHCSAAW0294	0.284-0.294 [7.21-7.47]	RED				3.25 [83]					
DSWHCSAAW0303	0.295-0.303 [7.49-7.70]	BLACK				3.25 [83]					
DSWHCSAAW0315	0.304-0.315 [7.72-8.00]	BROWN				3.25 [83]					
DSWHCSAAW0327	0.316-0.327 [8.02-8.31]	PURPLE	10			3.25 [83]		2.47 [1.12]			
DSWHCSAAW0342	0.328-0.342 [8.33-8.69]	GREEN				3.25 [83]					
DSWHCSAAW0355	0.343-0.355 [8.71-9.02]	BLACK				3.25 [83]					
DSWHCSAAW0374	0.356-0.374 [9.04-9.45]	BROWN				3.25 [83]					
DSWHCSAAW0389	0.375-0.389 [9.47-9.88]	RED	11			3.25 [83]				2.58 [1.17]	
DSWHCSAAW0404	0.390-0.404 [9.90-10.26]	BLUE	10			4.00 [102]				3.52 [1.60]	
DSWHCSAAW0418	0.405-0.418 [10.28-10.62]	ORANGE				4.00 [102]					
DSWHCSAAW0434	0.419-0.434 [10.64-11.02]	BROWN				4.00 [102]					
DSWHCSAAW0450	0.435-0.450 [11.04-11.43]	PURPLE		4.00 [102]							
DSWHCSAAW0470	0.451-0.470 [11.45-11.94]	GREEN	11	4.00 [102]	3.88 [1.76]						
DSWHCSAAW0481	0.471-0.481 [11.96-12.22]	BLACK		4.00 [102]							
DSWHCSAAW0500	0.482-0.500 [12.24-12.70]	BLUE		4.00 [102]							

CATALOG NUMBER: SEE SHEET 2			
SIZE X	DWG NO. CC-27006	PART / ASSY NO. SEE SHEET 2	REV A
SCALE: NS	DRN BY: KD	DATE: 09/14/20	SHEET 2 OF 2