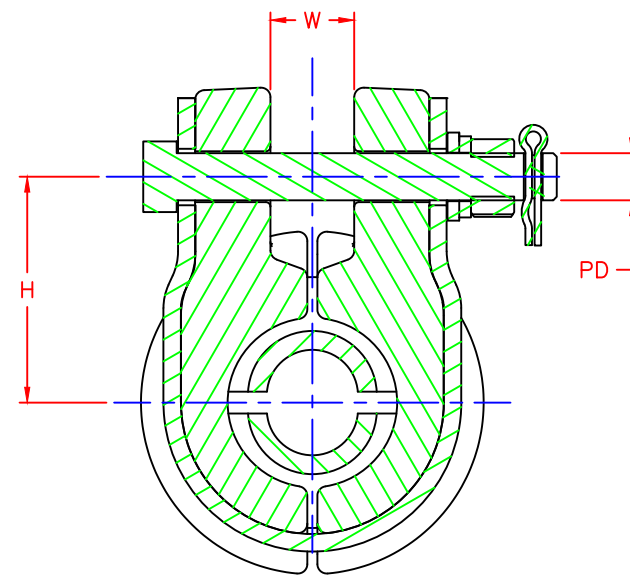


DETAIL A



SECTION A-A

NOTES:

- MATERIAL: CLAMP BODY, STRAP – ALUMINUM ALLOY  
RUBBER INSERT – EPDM RUBBER  
HELICAL RODS – ALUMINUM ALLOY  
HARDWARE (BOLT, NUT, FLAT WASHER & LOCK WASHER) – GALV. STEEL  
COTTER PIN – STAINLESS STEEL
- DIMENSIONS IN INCHES [MILLIMETER]
- MAXIMUM TAKE OFF ANGLE = 30° - 60°
- SLIP LOAD IS 15 - 20% OF CONDUCTOR RBS. CONTACT HUBBELL FOR MORE INFORMATION.
- BODY, STRAP AND RUBBER INSERT CAN BE IDENTIFIED BY THE CONDUCTOR RANGE MARKED ON THEM. HELICAL RODS HAVE CONDUCTOR RANGE MARKED ON A TAG ATTACHED TO THE BUNDLE AS WELL AS THE COLOR PAINT MARK. PLEASE NOTE SOME PARTS HAVE LARGER RANGES AND CAN BE USED ON MULTIPLE SIZES.

EC #	DATE	CHG BY	CKD BY	APPD BY
--	--	--	NGD	NR
DESC OF DWG: DRAWING CREATED IN AUTOCAD				
--				
--				
--				
REASON (S) FOR CHANGE: --				
DISPOSITION OF MAT'L: --				

PRELIMINARY ONLY

THIRD ANGLE PROJECTION

CONFIDENTIAL: THIS DRAWING AND ITS CONTENTS ARE CONFIDENTIAL AND THE EXCLUSIVE PROPERTY OF HUBBELL POWER SYSTEMS. NO PUBLICATION, DISTRIBUTION, OR COPIES MAY BE MADE WITHOUT THE WRITTEN CONSENT OF HUBBELL POWER SYSTEMS. HUBBELL POWER SYSTEMS UNPUBLISHED ALL RIGHTS RESERVED UNDER THE COPYRIGHT LAWS.

<b>HUBBELL POWER SYSTEMS, Inc.</b>			
TITLE <b>DOUBLE HELICAL CUSHION SUSPENSION ASSEMBLY</b>			
CATALOG NUMBER: SEE SHEET 2			
SIZE	DWG NO.	PART / ASSY NO.	REV
B	CC-27022	SEE SHEET 2	A
SCALE: NS	DRN BY: KD	DATE: 09/14/20	SHEET 1 OF 2

CATALOG NUMBER	CONDUCTOR DIA. RANGE INCHES [MM]	ULT. BODY STRENGTH (LBS)	HELICAL ROD COLOR CODE	RODS PER SET	W INCHES [MM]	PD INCHES [MM]	B INCHES [MM]	H INCHES [MM]	L INCHES [MM]	LENGTH INCHES [MM]
DHCSA0555	0.543-0.555 [13.79-14.10]	10000	BLACK	10	.860 [21.8]		12.00 [3304.8]	1.937 [49.2]	5.311 [134.9]	58.0 [1473.2]
DHCSA0573	0.556-0.573 [14.12-14.55]		WHITE	11						
DHCSA0594	0.574-0.594 [14.58-15.09]		BROWN							
DHCSA0606	0.595-0.606 [15.11-15.39]		ORANGE							
DHCSA0619	0.607-0.619 [15.42-15.72]		PURPLE							
DHCSA0645	0.620-0.645 [15.75-16.36]		RED	12						
DHCSA0673	0.646-0.673 [16.41-17.09]	BLUE	11							
DHCSA0690	0.674-0.690 [17.12-17.53]	GREEN								
DHCSA0710	0.691-0.710 [17.55-18.03]	YELLOW	12							
DHCSA0731	0.711-0.731 [18.06-18.57]	BLACK								
DHCSA0750	0.732-0.750 [18.59-19.05]	WHITE								
DHCSA0768	0.751-0.768 [19.08-19.51]	BROWN								
DHCSA0795	0.769-0.795 [19.53-20.19]	ORANGE	10	1.018 [25.9]			2.340 [59.4]	8.000 [203.2]	78.0 [1981.2]	
DHCSA0824	0.796-0.824 [20.22-20.93]	PURPLE								11
DHCSA0845	0.825-0.845 [20.96-21.46]	RED								
DHCSA0870	0.846-0.870 [21.49-22.10]	BLUE	12							
DHCSA0893	0.871-0.893 [22.12-22.68]	GREEN								
DHCSA0907	0.894-0.907 [22.71-23.04]	GREEN								

CATALOG NUMBER: SEE SHEET 2			
SIZE X	DWG NO. CC-27022	PART / ASSY NO. SEE SHEET 2	REV A
SCALE: NS	DRN BY: KD	DATE: 09/14/20	SHEET 2 OF 2