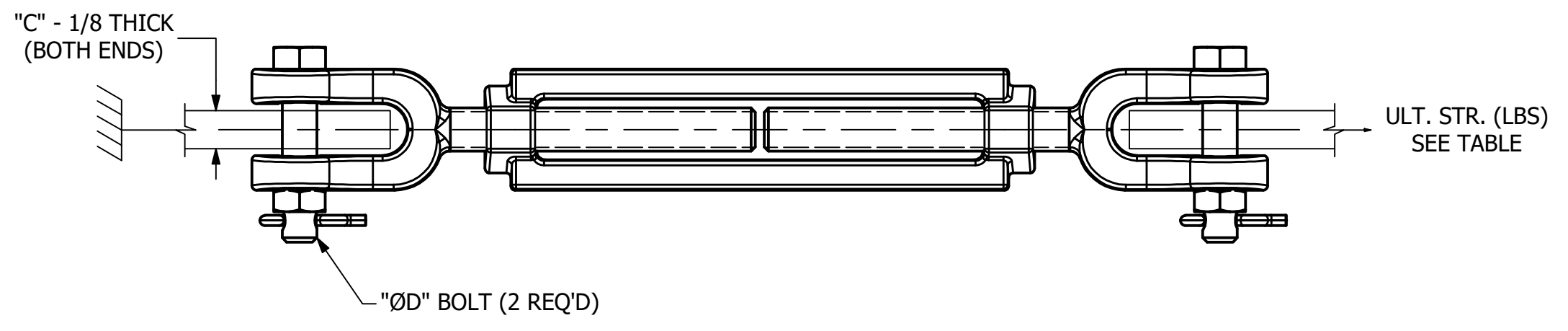
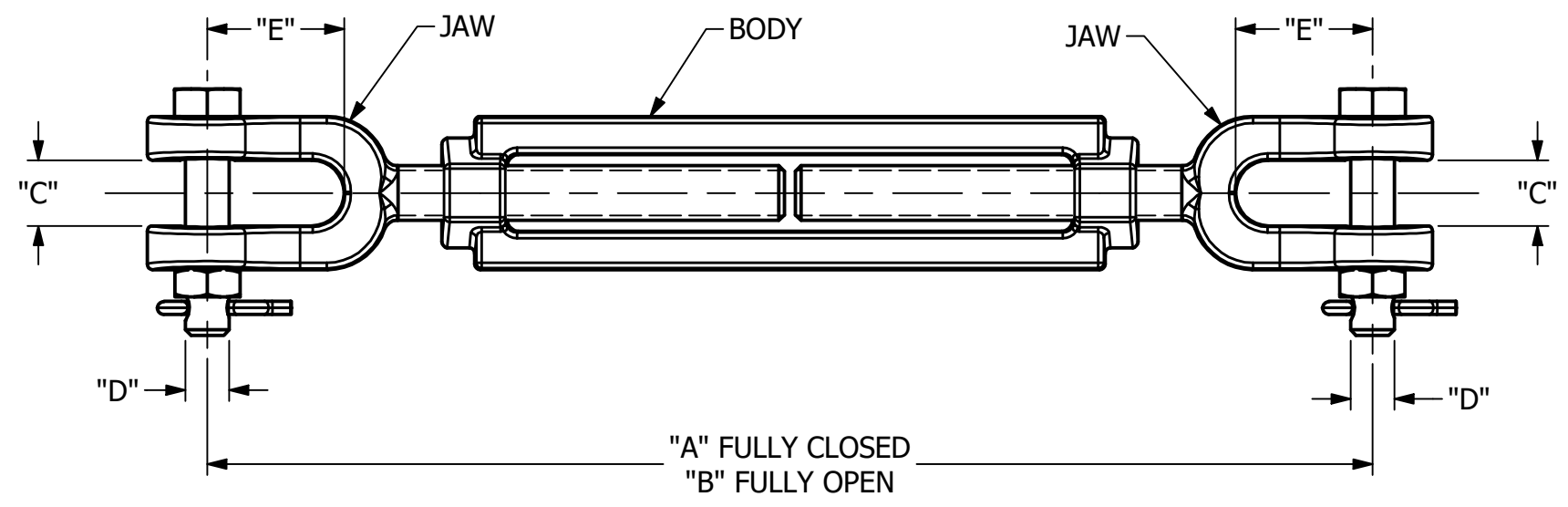


4

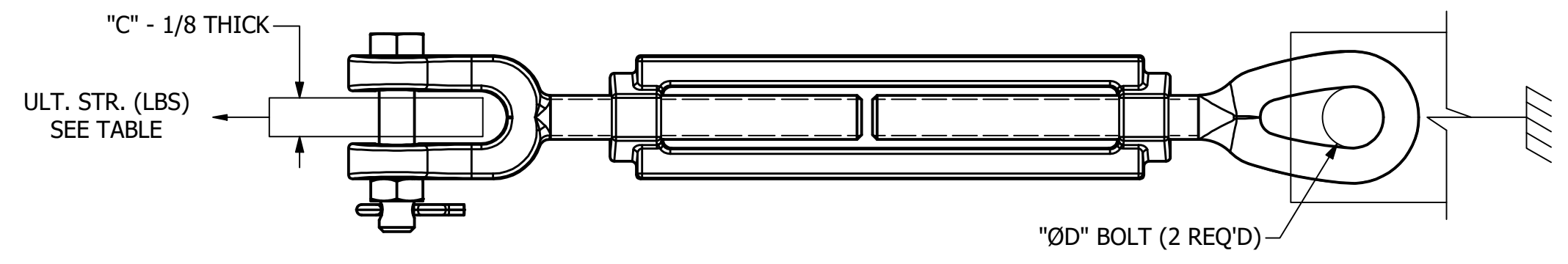
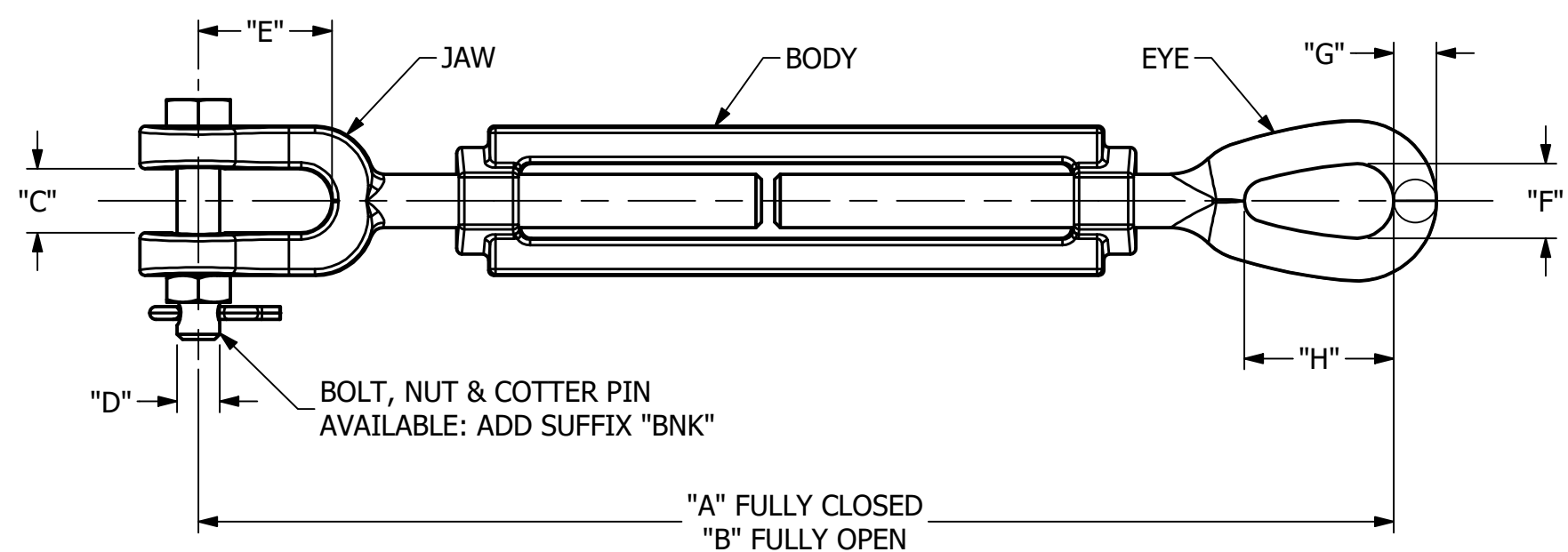
3

2

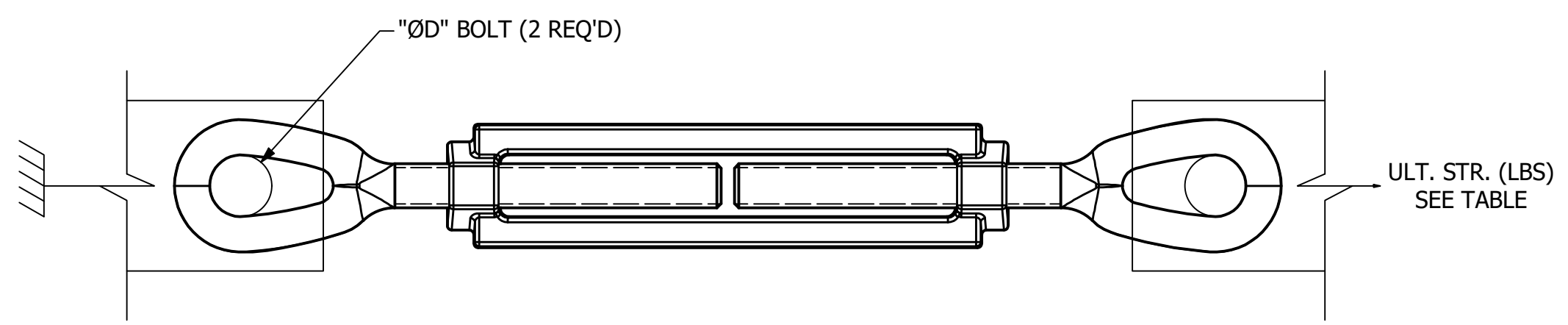
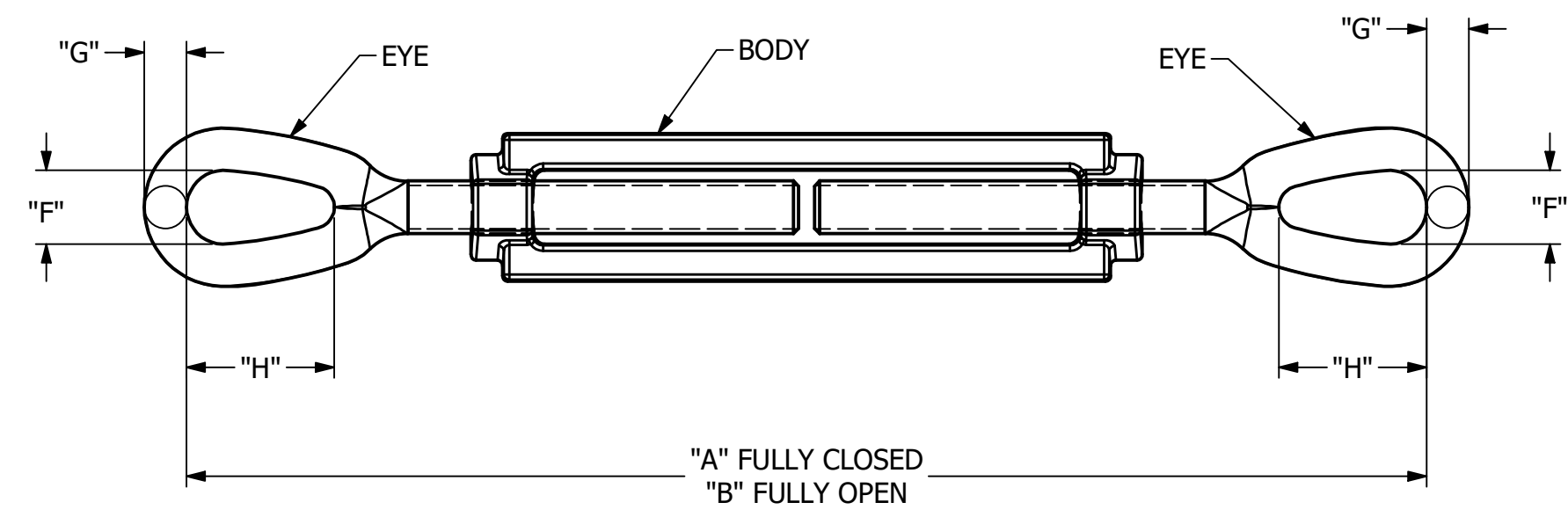
1



TYPE JJ



TYPE JE



ULT. LOAD DIAGRAMS

TYPE EE

NOTES:

1. MATERIAL: BODY - GALVANIZED FORGED STEEL
BOLT & JAM NUT - GALVANIZED STEEL
COTTER PIN - STAINLESS STEEL
2. BOLT, NUT AND COTTER TO COME STANDARD WITH ALL TURNBUCKLES.
3. HOT DIP GALVANIZED PER ASTM A153-82.
4. DIMENSIONS IN INCHES.
5. HOT DIP GALVANIZED LOCK NUTS CAN BE SUPPLIED ON BOTH ENDS OF ALL TURNBUCKLES AND ASSEMBLED :
ADD SUFFIX -LN.
6. VENDOR MUST CERTIFY THAT PART WILL MEET THE SPECIFICATIONS & PROVISIONS SET FORTH IN THEIR CAT.
LITERATURE CURRENT AT TIME OF MFG.
7. SAFE WORKING LOAD IS 1/5 (20%) OF ULTIMATE STRENGTH RATING SHOWN.
8. TURNBUCKLE MUST BE MARKED WITH MANUFACTURER.
9. FOR SHIELD NUT ADD SUFFIX -SN TO CATALOG NO. EXAMPLE: TB114JE12BNKLSN.
10. FOR "MPI" SUFFIX, 100% OF UNITS ARE TO BE MAGNETIC PARTICLE INSPECTED PER ASTM A275 AFTER GALVANIZING.

231122034943	11/22/23	KD	RB	PTB
EC #	DATE	CHANGED BY	CHECKED BY	APPROVED BY
DESCRIPTION:				WEIGHT, LBS
INITIAL RELEASE				SEE TABLE
--				
--				
--				
--				
ADDITIONAL COMMENTS: --				

THIRD ANGLE PROJECTION

CONFIDENTIAL:
THIS DRAWING AND ITS CONTENTS ARE CONFIDENTIAL AND THE EXCLUSIVE PROPERTY OF HUBBELL POWER SYSTEMS. NO PUBLICATION, DISTRIBUTION OR COPIES MAY BE MADE WITHOUT THE WRITTEN CONSENT OF HUBBELL POWER SYSTEMS. HUBBELL POWER SYSTEMS UNPUBLISHED ALL RIGHTS RESERVED UNDER THE COPYRIGHT LAWS

HUBBELL POWER SYSTEMS, Inc.

TITLE: **TURNBUCKLE**

CATALOG NUMBER: **SEE TABLE**

SIZE	DWG NO.	PART / ASSY NO.	REV
C	CC-28600	--	00

SCALE: NS DRN BY: KD DATE: 10/17/23 SHEET 1 OF 3

4

3

2

1

4

3

2

1

ITEM NO.	CATALOG NUMBER	TYPE	DIAMETER AND TAKE UP	ULTIMATE STRENGTH (LBS)	A FULLY CLOSED	B FULLY OPEN	C	D	E	F	G	H	WEIGHT (LBS)
CC-28600-001	TB58JJ6	JJ	5/8 X 6	17,500	13.31	19.31	.75	.50	1.56	.88	.50	1.75	2.72
CC-28600-002	TB58JJ9	JJ	5/8 X 9	17,500	16.31	25.31	.75	.50	1.56	.88	.50	1.75	3.24
CC-28600-003	TB58JJ12	JJ	5/8 X 12	17,500	19.31	31.31	.75	.50	1.56	.88	.50	1.75	3.74
CC-28600-004	TB34JJ6	JJ	3/4 X 6	26,000	14.44	20.44	.94	.63	1.81	1.00	.63	2.13	4.11
CC-28600-005	TB34JJ9	JJ	3/4 X 9	26,000	17.44	26.44	.94	.63	1.81	1.00	.63	2.13	5.10
CC-28600-006	TB34JJ12	JJ	3/4 X 12	26,000	20.44	32.44	.94	.63	1.81	1.00	.63	2.13	5.65
CC-28600-007	TB34JJ18	JJ	3/4 X 18	26,000	26.44	44.44	.94	.63	1.81	1.00	.63	2.13	7.00
CC-28600-008	TB78JJ6	JJ	7/8 X 6	36,000	16.13	28.13	1.13	.75	2.13	1.25	.75	2.38	7.17
CC-28600-009	TB78JJ12	JJ	7/8 X 12	36,000	22.13	34.13	1.13	.75	2.13	1.25	.75	2.38	8.17
CC-28600-010	TB78JJ18	JJ	7/8 X 18	36,000	28.13	46.13	1.13	.75	2.13	1.25	.75	2.38	9.96
CC-28600-011	TB1JJ6	JJ	1 X 6	50,000	17.63	23.63	1.19	.88	2.50	1.44	.88	3.00	8.50
CC-28600-012	TB1JJ12	JJ	1 X 12	50,000	23.63	35.63	1.19	.88	2.50	1.44	.88	3.00	12.00
CC-28600-013	TB1JJ18	JJ	1 X 18	50,000	29.63	47.63	1.19	.88	2.50	1.44	.88	3.00	14.00
CC-28600-014	TB1JJ24	JJ	1 X 24	50,000	35.63	59.63	1.19	.88	2.50	1.44	.88	3.00	17.00
CC-28600-015	TB114JJ12	JJ	1 1/4 X 12	76,000	26.44	38.44	1.75	1.13	3.38	1.81	1.13	3.56	21.50
CC-28600-016	TB114JJ18	JJ	1 1/4 X 18	76,000	32.44	50.44	1.75	1.13	3.38	1.81	1.13	3.56	24.25
CC-28600-017	TB114JJ24	JJ	1 1/4 X 24	76,000	38.44	62.44	1.75	1.13	3.38	1.81	1.13	3.56	28.00
CC-28600-018	TB112JJ12	JJ	1 1/2 X 12	107,000	27.94	39.94	2.06	1.38	3.50	2.13	1.25	4.06	30.50
CC-28600-019	TB112JJ18	JJ	1 1/2 X 18	107,000	33.94	51.94	2.06	1.38	3.50	2.13	1.25	4.06	36.75
CC-28600-020	TB112JJ24	JJ	1 1/2 X 24	107,000	39.94	63.94	2.06	1.38	3.50	2.13	1.25	4.06	40.67
CC-28600-021	TB134JJ18	JJ	1 3/4 X 18	140,000	36.94	54.94	2.38	1.63	4.19	2.38	1.50	4.63	55.04
CC-28600-022	TB134JJ24	JJ	1 3/4 X 24	140,000	42.94	66.94	2.38	1.63	4.19	2.38	1.50	4.63	63.36
CC-28600-023	TB2JJ24	JJ	2 X 24	185,000	47.63	71.63	2.50	2.00	4.69	2.69	1.75	5.75	94.25
CC-28600-024	TB212JJ24	JJ	2 1/2 X 24	300,000	51.06	75.06	2.88	2.25	5.56	3.13	2.00	6.50	165.00
CC-28600-025	TB234JJ24	JJ	2 3/4 X 24	375,000	53.50	77.50	3.50	2.75	5.56	3.25	2.25	7.00	198.00
CC-28600-026	TB58JE6	JE	5/8 X 6	17,500	14.00	20.00	.75	.50	1.56	.88	.50	1.75	2.35
CC-28600-027	TB58JE9	JE	5/8 X 9	17,500	17.00	26.00	.75	.50	1.56	.88	.50	1.75	3.06
CC-28600-028	TB58JE12	JE	5/8 X 12	17,500	20.00	32.00	.75	.50	1.56	.88	.50	1.75	3.78
CC-28600-029	TB34JE6	JE	3/4 X 6	26,000	15.50	21.50	.94	.63	1.81	1.00	.63	2.13	4.00
CC-28600-030	TB34JE9	JE	3/4 X 9	26,000	18.50	27.50	.94	.63	1.81	1.00	.63	2.13	4.75
CC-28600-031	TB34JE12	JE	3/4 X 12	26,000	21.50	33.50	.94	.63	1.81	1.00	.63	2.13	5.36
CC-28600-032	TB34JE18	JE	3/4 X 18	26,000	27.50	45.50	.94	.63	1.81	1.00	.63	2.13	7.00
CC-28600-033	TB78JE6	JE	7/8 X 6	36,000	16.88	28.88	1.13	.75	2.13	1.25	.75	2.38	7.00
CC-28600-034	TB78JE12	JE	7/8 X 12	36,000	22.88	34.88	1.13	.75	2.13	1.25	.75	2.38	8.00
CC-28600-035	TB78JE18	JE	7/8 X 18	36,000	28.88	46.88	1.13	.75	2.13	1.25	.75	2.38	9.75
CC-28600-036	TB1JE6	JE	1 X 6	50,000	18.81	24.81	1.19	.88	2.50	1.44	.88	3.00	8.92
CC-28600-037	TB1JE12	JE	1 X 12	50,000	24.81	36.81	1.19	.88	2.50	1.44	.88	3.00	11.20
CC-28600-038	TB1JE18	JE	1 X 18	50,000	30.81	48.81	1.19	.88	2.50	1.44	.88	3.00	13.30
CC-28600-039	TB1JE24	JE	1 X 24	50,000	36.81	60.81	1.19	.88	2.50	1.44	.88	3.00	17.00
CC-28600-040	TB114JE12	JE	1 1/4 X 12	76,000	27.38	39.38	1.75	1.13	3.38	1.81	1.13	3.56	20.00
CC-28600-041	TB114JE18	JE	1 1/4 X 18	76,000	33.38	51.38	1.75	1.13	3.38	1.81	1.13	3.56	24.18
CC-28600-042	TB114JE24	JE	1 1/4 X 24	76,000	39.38	63.38	1.75	1.13	3.38	1.81	1.13	3.56	28.50
CC-28600-043	TB112JE12	JE	1 1/2 X 12	107,000	29.25	41.25	2.06	1.38	3.50	2.13	1.25	4.06	28.99
CC-28600-044	TB112JE18	JE	1 1/2 X 18	107,000	35.25	53.25	2.06	1.38	3.50	2.13	1.25	4.06	35.00
CC-28600-045	TB112JE24	JE	1 1/2 X 24	107,000	41.25	65.25	2.06	1.38	3.50	2.13	1.25	4.06	39.18
CC-28600-046	TB134JE18	JE	1 3/4 X 18	140,000	38.19	56.19	2.38	1.63	4.19	2.38	1.50	4.63	53.75
CC-28600-047	TB134JE24	JE	1 3/4 X 24	140,000	44.19	68.19	2.38	1.63	4.19	2.38	1.50	4.63	60.68
CC-28600-048	TB2JE24	JE	2 X 24	185,000	49.38	73.38	2.50	2.00	4.69	2.69	1.75	5.75	89.00
CC-28600-049	TB212JE24	JE	2 1/2 X 24	300,000	52.88	76.88	2.88	2.25	5.56	3.13	2.00	6.50	150.00
CC-28600-050	TB234JE24	JE	2 3/4 X 24	375,000	52.25	79.25	3.50	2.75	5.56	3.25	2.25	7.00	183.00

A

A

CATALOG NUMBER: SEE TABLE			
SIZE	DWG NO.	PART / ASSY NO.	REV
C	CC-28600	--	00
SCALE: NS	DRN BY: KD	DATE: 10/17/23	SHEET 2 OF 3

4

3

2

1

4

3

2

1

ITEM NO.	CATALOG NUMBER	TYPE	DIAMETER AND TAKE UP	ULTIMATE STRENGTH (LBS)	A FULLY CLOSED	B FULLY OPEN	C	D	E	F	G	H	WEIGHT (LBS)
CC-28600-051	TB58EE6	EE	5/8 X 6	17,500	14.69	20.69	.75	.50	1.56	.88	.50	1.75	2.75
CC-28600-052	TB58EE9	EE	5/8 X 9	17,500	17.69	26.69	.75	.50	1.56	.88	.50	1.75	3.13
CC-28600-053	TB58EE12	EE	5/8 X 12	17,500	20.69	32.69	.75	.50	1.56	.88	.50	1.75	3.50
CC-28600-054	TB34EE6	EE	3/4 X 6	26,000	16.38	22.38	.94	.63	1.81	1.00	.63	2.13	3.89
CC-28600-055	TB34EE9	EE	3/4 X 9	26,000	19.38	28.38	.94	.63	1.81	1.00	.63	2.13	4.61
CC-28600-056	TB34EE12	EE	3/4 X 12	26,000	22.38	34.38	.94	.63	1.81	1.00	.63	2.13	5.43
CC-28600-057	TB34EE18	EE	3/4 X 18	26,000	28.38	46.38	.94	.63	1.81	1.00	.63	2.13	7.25
CC-28600-058	TB78EE6	EE	7/8 X 6	36,000	17.31	29.31	1.13	.75	2.13	1.25	.75	2.38	7.10
CC-28600-059	TB78EE12	EE	7/8 X 12	36,000	23.31	35.31	1.13	.75	2.13	1.25	.75	2.38	8.10
CC-28600-060	TB78EE18	EE	7/8 X 18	36,000	29.31	47.31	1.13	.75	2.13	1.25	.75	2.38	9.95
CC-28600-061	TB1EE6	EE	1 X 6	50,000	20.00	26.00	1.19	.88	2.50	1.44	.88	3.00	9.33
CC-28600-062	TB1EE12	EE	1 X 12	50,000	26.00	38.00	1.19	.88	2.50	1.44	.88	3.00	11.93
CC-28600-063	TB1EE18	EE	1 X 18	50,000	32.00	50.00	1.19	.88	2.50	1.44	.88	3.00	14.00
CC-28600-064	TB1EE24	EE	1 X 24	50,000	38.00	62.00	1.19	.88	2.50	1.44	.88	3.00	17.25
CC-28600-065	TB114EE12	EE	1 1/4 X 12	76,000	28.25	40.25	1.75	1.13	3.38	1.81	1.13	3.56	19.00
CC-28600-066	TB114EE18	EE	1 1/4 X 18	76,000	34.25	52.25	1.75	1.13	3.38	1.81	1.13	3.56	23.00
CC-28600-067	TB114EE24	EE	1 1/4 X 24	76,000	40.25	64.25	1.75	1.13	3.38	1.81	1.13	3.56	27.00
CC-28600-068	TB112EE12	EE	1 1/2 X 12	107,000	30.50	44.50	2.06	1.38	3.50	2.13	1.25	4.06	27.50
CC-28600-069	TB112EE18	EE	1 1/2 X 18	107,000	36.50	54.50	2.06	1.38	3.50	2.13	1.25	4.06	31.00
CC-28600-070	TB112EE24	EE	1 1/2 X 24	107,000	42.50	66.50	2.06	1.38	3.50	2.13	1.25	4.06	37.50
CC-28600-071	TB134EE18	EE	1 3/4 X 18	140,000	39.38	57.38	2.38	1.63	4.19	2.38	1.50	4.63	52.50
CC-28600-072	TB134EE24	EE	1 3/4 X 24	140,000	45.38	69.38	2.38	1.63	4.19	2.38	1.50	4.63	58.00
CC-28600-073	TB2EE24	EE	2 X 24	185,000	51.69	75.69	2.50	2.00	4.69	2.69	1.75	5.75	85.25
CC-28600-074	TB212EE24	EE	2 1/2 X 24	300,000	54.63	78.63	2.88	2.25	5.56	3.13	2.00	6.50	144.25
CC-28600-075	TB234EE24	EE	2 3/4 X 24	375,000	57.00	81.00	3.50	2.75	5.56	3.25	2.25	7.00	194.00
CC-28600-076	TB112EE18LN	EE	1 1/2 X 18	107,000	36.50	54.50	2.06	1.38	3.50	2.13	1.25	4.06	32.50



CATALOG NUMBER: SEE TABLE			
SIZE	DWG NO.	PART / ASSY NO.	REV
C	CC-28600	--	00
SCALE: NS	DRN BY: KD	DATE: 10/17/23	SHEET 3 OF 3

4

3

2

1