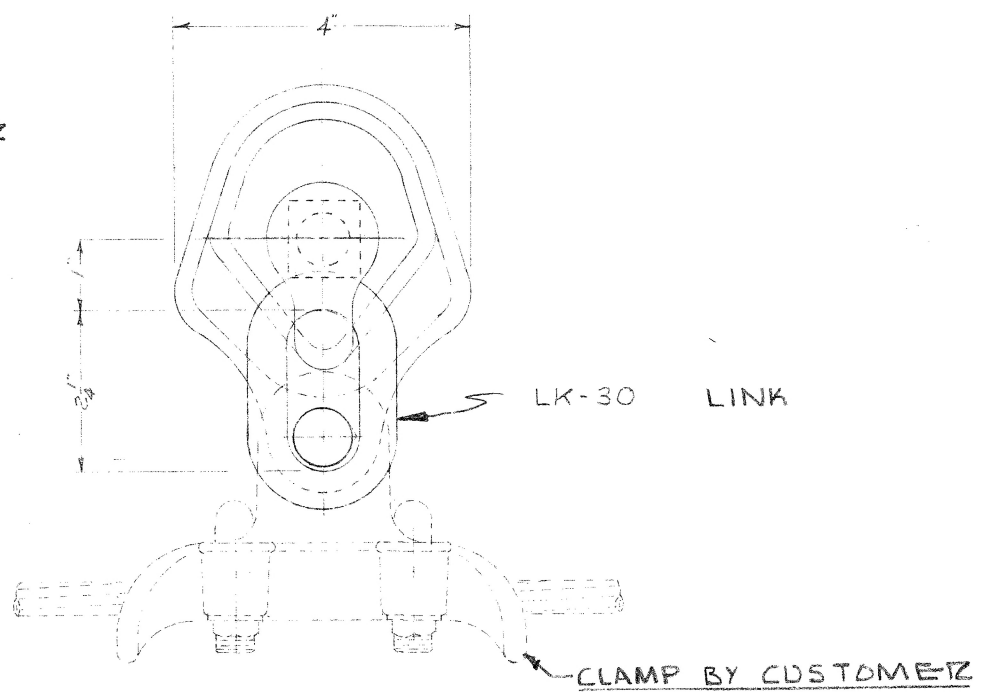


3/4" DIA. BOLT, NUT, & WASHER
(BY CUSTOMER)

1/2" DIA
LAG SCREW
(OPTIONAL)

5000*ULT. STR. VERTICAL



LK-30 LINK

CLAMP BY CUSTOMER

NOTES:

- MATERIAL: 654512 DUCTILE IRON HOT DIP GALVANIZED.
LINK-STEEL - HOT DIP GALVANIZED.

EP# 2-11-572

REVISIONS	
DESCRIPTION	BY
MATE WAS 024916 D.A., ADD	J.Dunn
Q WAS BT 3080 (JCR# 2412-C)	WI

REVISIONS			
DATE	NO.	DESCRIPTION	BY

DATE	1-31-63
DWN BY	WZ
CKD BY	WZ
APPROVED	JAF
SCALE	CS

GROUND WIRE BRACKET
(SWING TYPE)

R1/12		NP-
ANDERSON ELECTRIC CORP. BIRMINGHAM ALABAMA		
CAT. NO. GWB-1S	DWG. NO. CC-502	