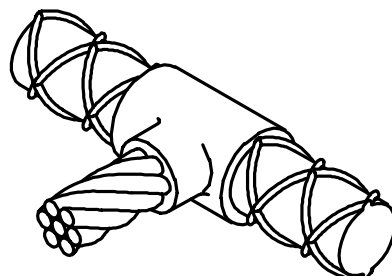


REBAR SIZE	CABLE SIZE	MOLD #	PACKING MAT'L #	PRICE KEY	WELD METAL	HANDLE CLAMPS
#3	#6	M-7588	38-0329	4	45	B-106
	#4	M-7589	38-0329	4	45	B-106
	#2	M-7590	38-0329	4	65	B-106
	#1	M-7591	38-0329	4	65	B-106
	1/0	M-7592	38-0329	4	90	B-106
	2/0	M-7593	38-0329	4	90	B-106
	3/0	M-7594	38-0329	4	115	B-106
#4	4/0	M-7595	38-0329	4	115	B-106
	#6	M-7596	38-0329	4	45	B-106
	#4	M-7597	38-0329	4	45	B-106
	#2	M-7598	38-0329	4	65	B-106
	#1	M-7599	38-0329	4	65	B-106
	1/0	M-7600	38-0329	4	90	B-106
	2/0	M-7601	38-0329	4	90	B-106
#5	3/0	M-7602	38-0329	4	115	B-106
	4/0	M-7603	38-0329	4	115	B-106
	#6	M-7604	38-0329	4	90	B-106
	#4	M-7605	38-0329	4	90	B-106
	#2	M-7606	38-0329	4	90	B-106
	#1	M-7607	38-0329	4	90	B-106
	1/0	M-7608	38-0329	4	115	B-106
#6	2/0	M-7609	38-0329	4	115	B-106
	3/0	M-7610	38-0329	4	150	B-106
	4/0	M-7611	38-0329	4	150	B-106
	#6	M-7612	38-0329	4	90	B-106
	#4	M-7613	38-0329	4	90	B-106
	#2	M-7614	38-0329	4	90	B-106
	#1	M-7615	38-0329	4	90	B-106
#6	1/0	M-7616	38-0329	4	115	B-106
	2/0	M-7617	38-0329	4	115	B-106
	3/0	M-7618	38-0329	4	150	B-106
	4/0	M-7619	38-0329	4	150	B-106

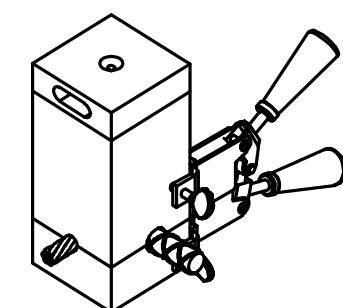
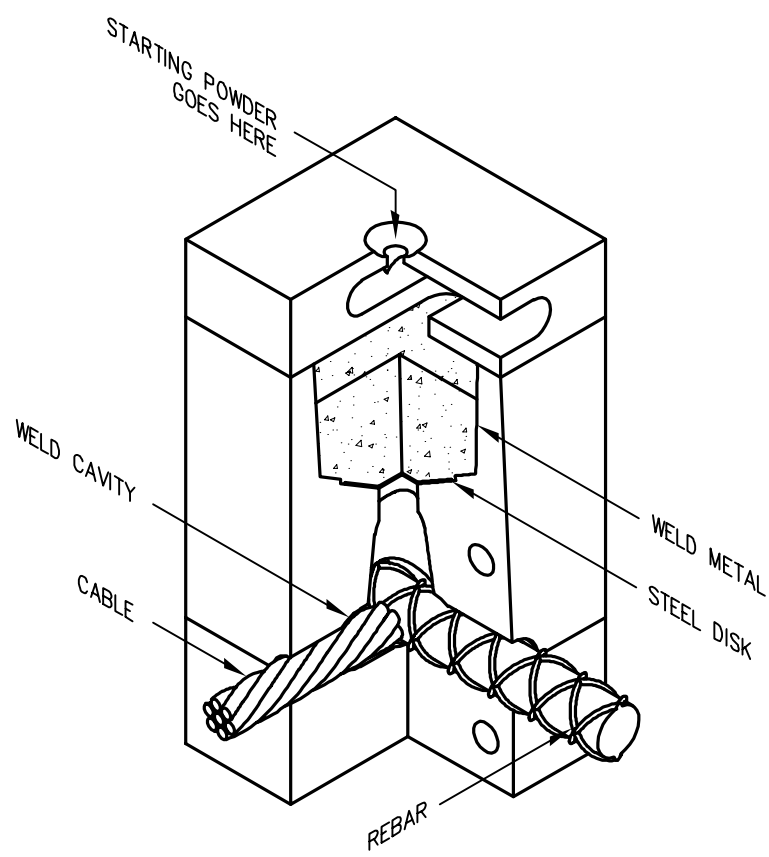


CRE-2 TYPE MOLDS  
HORIZONTAL CABLE TAP TO HORIZONTAL REBAR RUN

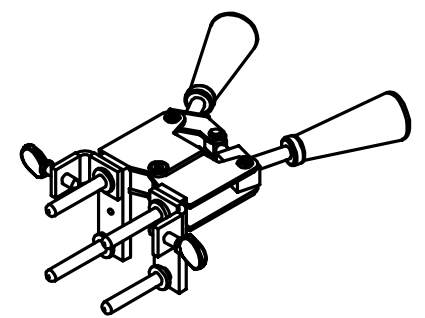
CRE-2 TYPE MOLDS ARE RECOMMENDED FOR RIGHT ANGLE, HORIZONTAL CONNECTIONS FOR SOLID OR CONCENTRIC STRANDED CONDUCTORS #6 THROUGH 4/0 JOINED TO REINFORCING BARS #3 THROUGH #6. THE HIGH COPPER CONTENT JOINT HAS A HIGHER CURRENT CARRYING CAPACITY THAN THE CONDUCTORS BEING JOINED AND IS IMPERVIOUS TO VIBRATION AND MOISTURE.

- NOTES:
- FOR SIZES NOT LISTED, CONTACT THERMOWELD®.
  - MOLDS LISTED ARE FOR CONCENTRIC STRANDED CABLE. ADD SUFFIX "-S" FOR SOLID CONDUCTORS.
  - FOR HEAVY DUTY MOLDS, MOLDS WITH WEAR PLATES OR MOLDS FOR COPPERWELD® CABLE, CONTACT THERMOWELD®.
  - FOR EXPEDITED SERVICE, CONTACT THERMOWELD®.
  - REQUIRED TOOLS:  
HANDLE CLAMPS W/ FLINT IGNITOR (SEE CHART FOR CORRECT HANDLES)  
38-0309-00 ~ FLINT IGNITOR
  - OTHER RECOMMENDED ACCESSORIES:  
40-0319-01 ~ MOLD CLEANER FOR CARTRIDGE SIZES #15-#65  
40-0319-03 ~ MOLD CLEANER FOR CARTRIDGE SIZES #90-#500  
38-3922-00 ~ MOLD CLEANING BRUSH  
38-0135-00 ~ CABLE CLEANING BRUSH  
38-0304-00 ~ FILE

PACKING MATERIAL NOTES:  
A PACKING PAD IS NECESSARY WHEN MAKING THERMOWELD® CONNECTIONS TO REBAR. PACKING MATERIAL 38-0329 IS A COPPER SHIM STOCK. PACKING MATERIAL No.'s 38-4061, 38-4062 AND 38-4063 ARE A CERAMIC FIBER MATERIAL AND CAN BE USED FOR ONE CONNECTION ONLY. BE SURE TO SPECIFY PACKING MATERIAL NO. WHEN ORDERING MOLD AND WELD METAL.



SHOWN WITH  
HANDLE CLAMPS



REF. B-106 / B-107  
HANDLE CLAMPS

thermOweld®

REV	EC #	DESCRIPTION	DATE	INITIALS
D	220103015638	TEMPLATE UPDATED	01/04/2022	BE
C	2532	UPDATED HANDLE CLAMPS	01/08/13	BAM
REVISION HISTORY				

TO ORDER thermOweld® PRODUCTS CALL UNITED STATES 1-800-558-1373  CANADA: 1-800-387-6487  FOR PRODUCT INFO: <a href="http://www.burndy.com">http://www.burndy.com</a>	SIGNATURES				
	DRAWN BY	DATE	APPROVED BY	DATE	
	B. MCKASKLE	07/31/06	<i>Mac</i>	3/8/13	
	MATERIAL				CRE-2 TYPE MOLDS HORIZONTAL CABLE TAP TO HORIZONTAL REBAR RUN
SIZE	DWG NO.		REV		
C	CD-0641		D		
SCALE	N.T.S.		SHEET		1 OF 1