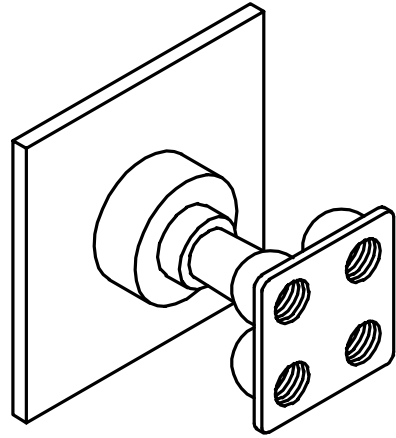


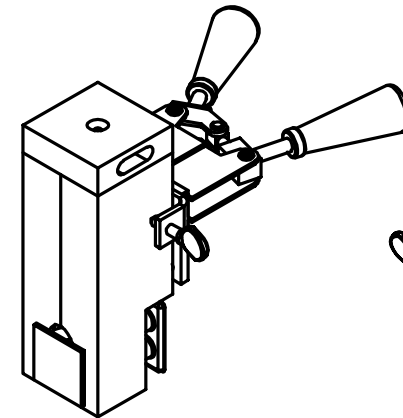
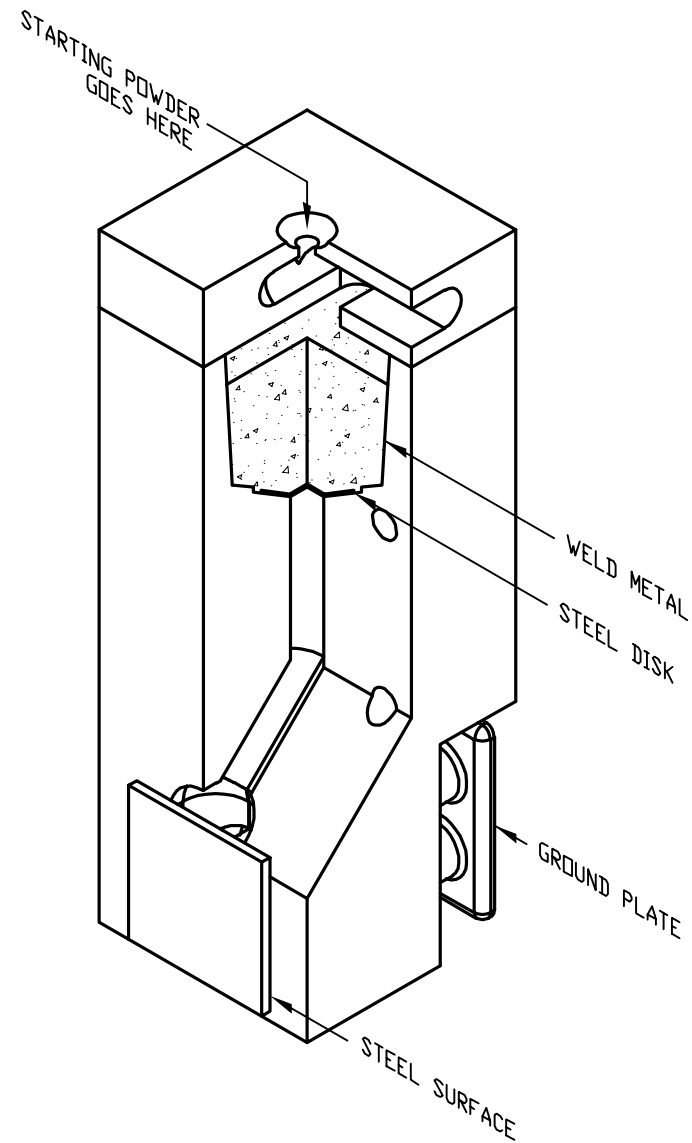
GROUND PLATE PART NUMBER	MOLD #	PRICE KEY	WELD METAL	HANDLE CLAMPS
38-2864-00	M-6091	4	150	B-106
38-2999-00	M-6091	4	150	B-106
38-4051-00	M-6091	4	150	B-106
38-4178-00	M-6092	4	200	B-106



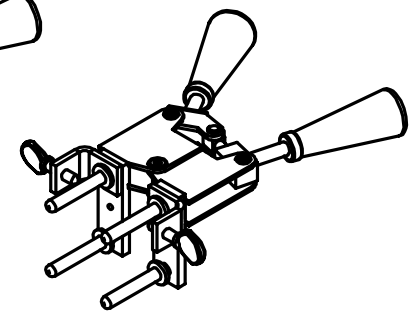
RS-3 TYPE MOLDS
GROUND PLATE TO VERTICAL STEEL SURFACE

RS-3 TYPE MOLDS ARE USED TO JOIN A GROUND PLATE TO A VERTICAL STEEL SURFACE.

NOTE:
FOR STRUCTURAL PURPOSES, WELD TYPES RS-3 SHOULD ONLY BE USED WHEN THE GROUND PLATE IS TO BE ENCASED IN CONCRETE.



RS-1 SHOWN WITH
HANDLE CLAMPS



REF. B-106 / B-107
HANDLE CLAMPS

thermOweld®

REV	EC #	DESCRIPTION	DATE	INITIALS
B	220103015638	TEMPLATE UPDATED	01/04/2022	BE
A	2532	UPDATED HANDLE CLAMPS	01/09/13	BAM
REVISION HISTORY				

TO ORDER thermOweld® PRODUCTS CALL UNITED STATES 1-800-558-1373 CANADA: 1-800-387-6487 FOR PRODUCT INFO: http://www.burndy.com	SIGNATURES				
	DRAWN BY	DATE	APPROVED BY	DATE	
	B. MCKASKLE	09/07/06	MAC	3/8/13	
	MATERIAL				RS-3 TYPE MOLDS GROUND PLATE TO VERTICAL STEEL SURFACE
SIZE	DWG NO.			REV	
C	CD-0645			B	
SCALE	N.T.S.			SHEET 1 OF 1	