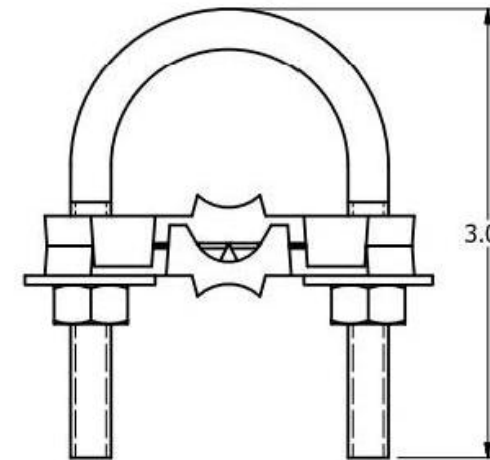
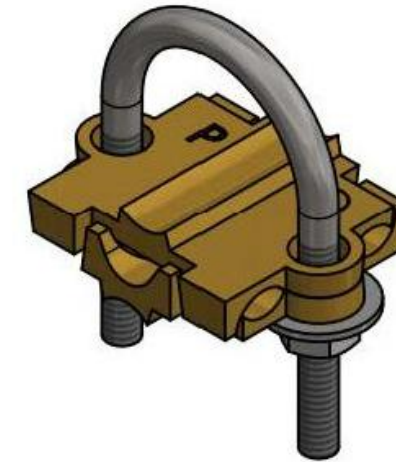
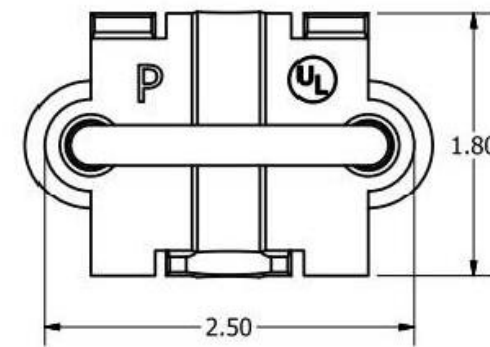


# SCHEDULE

PART #	MATERIAL	DESCRIPTION
0000-38-7420-00	ALUMINUM	1" U-BOLT FITS .400 TO 1.315 OD PIPE
0000-38-7420-10	BRONZE	
0000-38-7420-11	TINNED BRONZE	
0000-38-7421-00	ALUMINUM	2" U-BOLT FITS 1.315 TO 2.000 OD PIPE
0000-38-7421-10	BRONZE	
0000-38-7421-11	TINNED BRONZE	
0000-38-7422-00	ALUMINUM	3" U-BOLT FITS 1.900 TO 3.000 OD PIPE
0000-38-7422-10	BRONZE	
0000-38-7422-11	TINNED BRONZE	
0000-38-7423-00	ALUMINUM	4" U-BOLT FITS 2.750 TO 4.500 OD PIPE
0000-38-7423-10	BRONZE	
0000-38-7423-11	TINNED BRONZE	
0000-38-7424-00	ALUMINUM	6" U-BOLT FITS 4.500 TO 6.750 OD PIPE
0000-38-7424-10	BRONZE	
0000-38-7424-11	TINNED BRONZE	
0000-38-7711-00	ALUMINUM	8" U-BOLT FITS 6.00 TO 8.625 OD PIPE
0000-38-7711-10	BRONZE	
0000-38-7711-11	TINNED BRONZE	



**NOTES:**

- UL LISTED
- CAST U-BOLT PIPE CLAMPS. PROVIDES 1 1/2" OF CONTACT ON PIPE AND CABLE. CABLE RANGE: #6 - 4/0

**thermOweld®**

REV	ECN #	DESCRIPTION	DATE	INT
D	220721022329	NOTE AND TEMPLATE UPDATED	7/22/2022	BE
C	2781	ADDED DETAIL IMAGE	1/10/2018	LR
B	2680	UPDATED 1" U-BOLT IMAGE	2/2/2016	MAC
A	2649	ADDED VARIOUS OTHER SIZES AND MATERIAL	4/30/2015	LR

**REVISION HISTORY**

TO ORDER thermOweld® PRODUCTS CALL

UNITED STATES  
1-800-558-1373

CANADA:  
1-800-387-6487

FOR PRODUCT INFO:  
<http://www.burndy.com>

**SIGNATURES**

DRAWN BY	DATE	APPROVED BY	DATE
M.CLARK	08/08/13	MAC	01/15/18

MATERIAL



PIPE CLAMPS

CATALOG # SEE ABOVE

SIZE	DWG NO.	REV
C	CD-1013	D
SCALE N.T.S.	SHEET 1 OF 1	