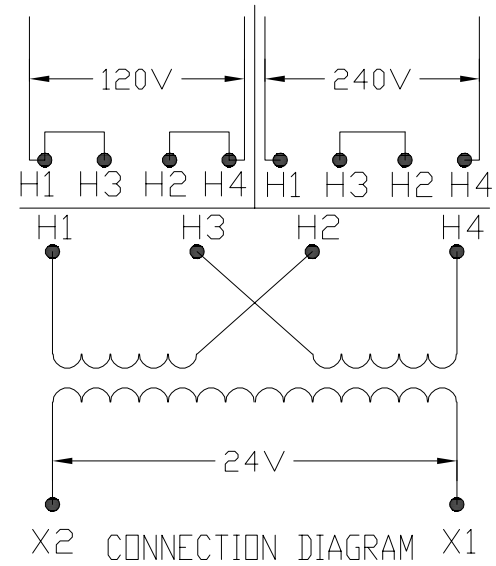
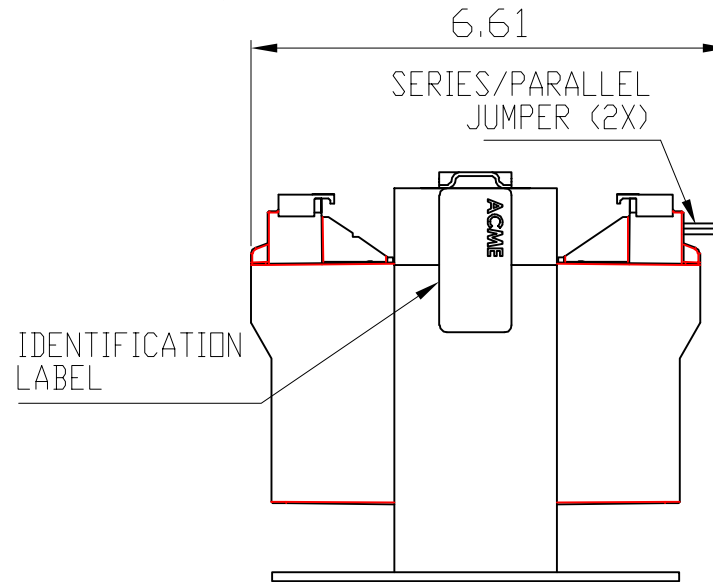
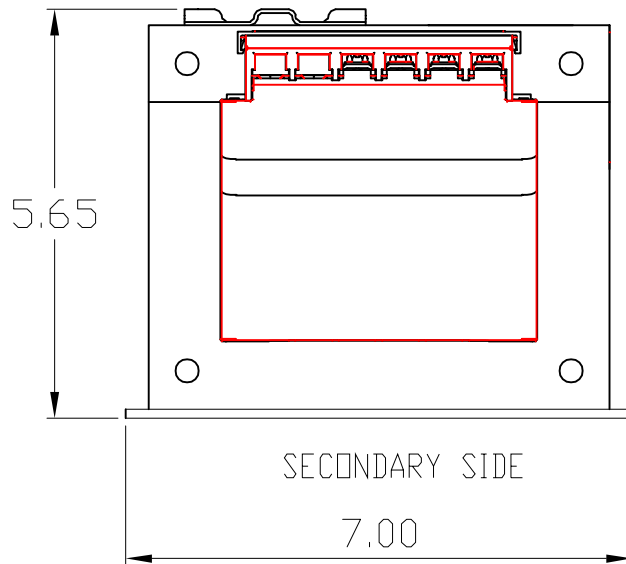



TRANSFORMER SPECIFICATIONS	
PRIMARY VOLTAGE(S)	120x240
SECONDARY VOLTAGE(S)	24
RATED V.A.	1000
RATED FREQUENCY	50/60
INSULATION CLASS	180°C @ MAX RISE 115°C
AGENCY APPROVALS	UL, CUL
ESTIMATED WEIGHT	29.8 LBS

SECONDARY SIDE

PRIMARY SIDE



DIMENSIONS ARE IN INCHES TOLERANCES: .XX ± .03 .XXX ± .010 ANGULAR: ± 1°	DRAWN BY:	VS	DATE	06/03/2020	 Acme Electric	
	CHECKED BY:					DESCRIPTION:
SOURCE	N/A	PROPRIETARY AND CONFIDENTIAL THE INFORMATION CONTAINED IN THIS DRAWING IS THE SOLE PROPERTY OF ACME ELECTRIC. ANY REPRODUCTION IN PART OR AS A WHOLE WITHOUT THE WRITTEN PERMISSION OF ACME ELECTRIC IS PROHIBITED.			1000 VA	
MATERIAL	N/A				SIZE DWG. NO.	CE1000N002
FINISH	N/A				WEIGHT:	LBS.
DO NOT SCALE DRAWING						