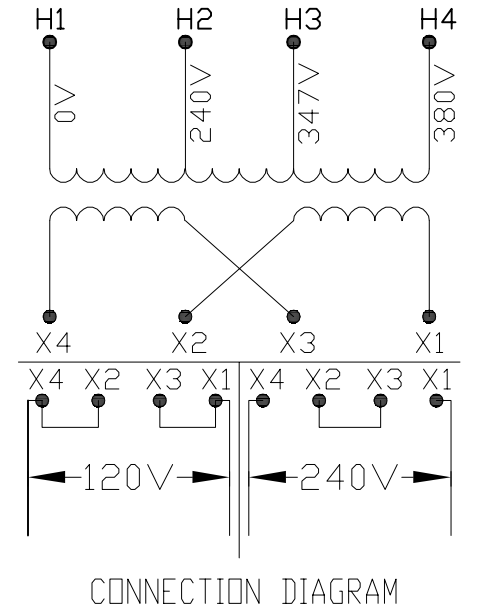



TRANSFORMER SPECIFICATIONS	
PRIMARY VOLTAGE(S)	240/347/380
SECONDARY VOLTAGE(S)	120x240
RATED V.A.	1000
RATED FREQUENCY	50/60
INSULATION CLASS	180°C @ MAX RISE 115°C
AGENCY APPROVALS	UL, CUL
ESTIMATED WEIGHT	29.8 LBS



DIMENSIONS ARE IN INCHES TOLERANCES: .XX ± .03 .XXX ± .010 ANGULAR: ± 1°	NAME	DATE	
	DRAWN BY: VS	06/05/2020	
SOURCE N/A	CHECKED BY:		
MATERIAL N/A	PROPRIETARY AND CONFIDENTIAL THE INFORMATION CONTAINED IN THIS DRAWING IS THE SOLE PROPERTY OF ACME ELECTRIC. ANY REPRODUCTION IN PART OR AS A WHOLE WITHOUT THE WRITTEN PERMISSION OF ACME ELECTRIC IS PROHIBITED.		SIZE DWG. NO. A CE1000N012
FINISH N/A			WEIGHT: LBS. SHEET 1 OF 1
DO NOT SCALE DRAWING			