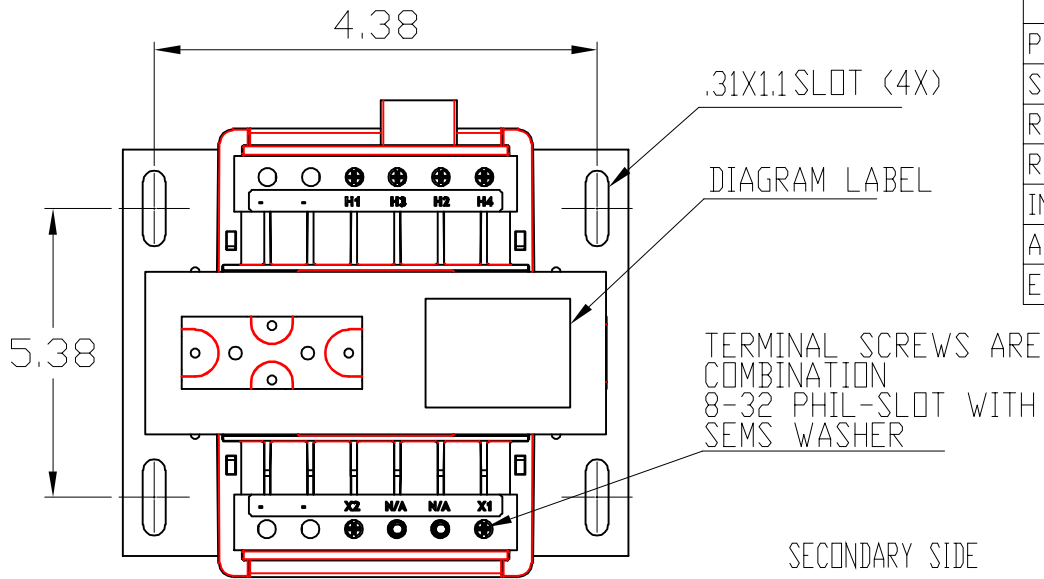
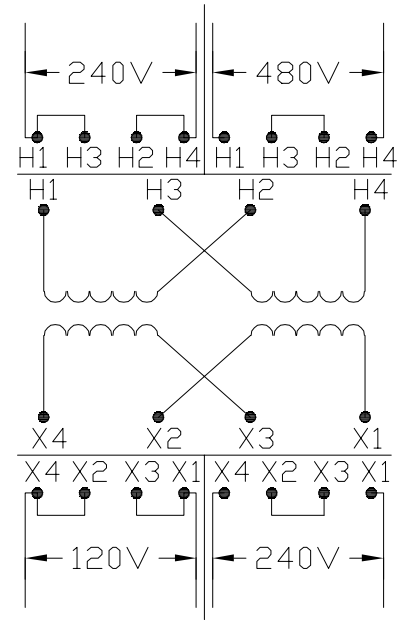
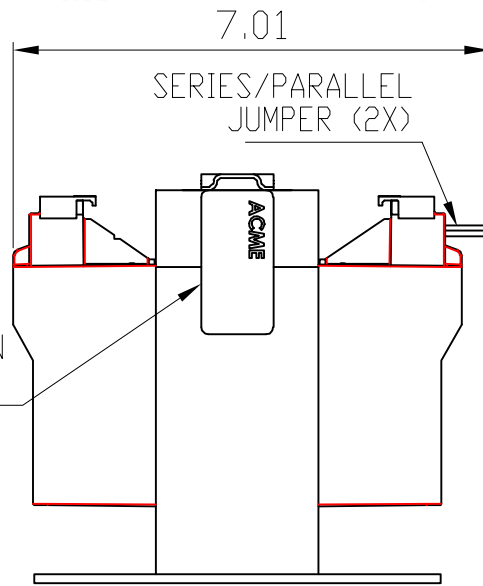


TRANSFORMER SPECIFICATIONS	
PRIMARY VOLTAGE(S)	240×480
SECONDARY VOLTAGE(S)	120×240
RATED V.A.	1000
RATED FREQUENCY	50/60
INSULATION CLASS	180°C @ MAX RISE 115°C
AGENCY APPROVALS	UL, CUL
ESTIMATED WEIGHT	29.8 LBS

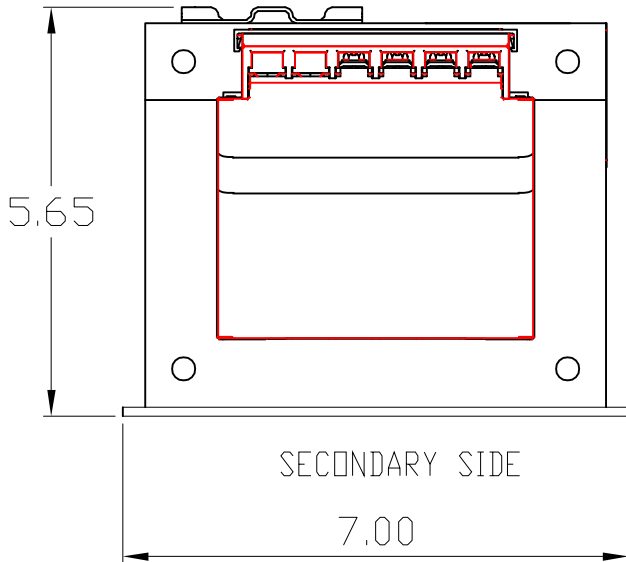


SECONDARY SIDE

PRIMARY SIDE



CONNECTION DIAGRAM



SECONDARY SIDE

DIMENSIONS ARE IN INCHES TOLERANCES: .XX ± .03 .XXX ± .010 ANGULAR: ± 1°	DRAWN BY:	VS	DATE	06/08/2020
	CHECKED BY:			
SOURCE	N/A			
MATERIAL	N/A			
FINISH	N/A			
DO NOT SCALE DRAWING	PROPRIETARY AND CONFIDENTIAL THE INFORMATION CONTAINED IN THIS DRAWING IS THE SOLE PROPERTY OF ACME ELECTRIC. ANY REPRODUCTION IN PART OR AS A WHOLE WITHOUT THE WRITTEN PERMISSION OF ACME ELECTRIC IS PROHIBITED.			

DESCRIPTION: 1000 VA	
SIZE DWG. NO.	CE1000N014
WEIGHT:	LBS.
SHEET 1 OF 1	