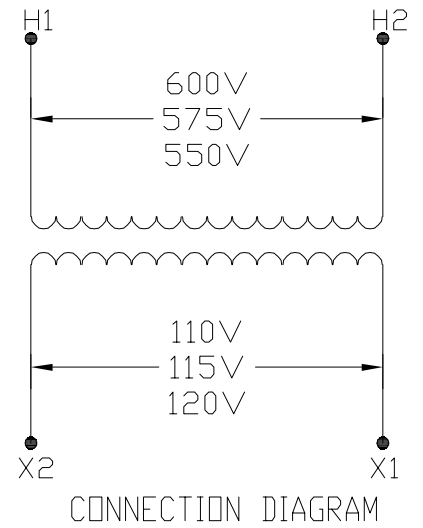
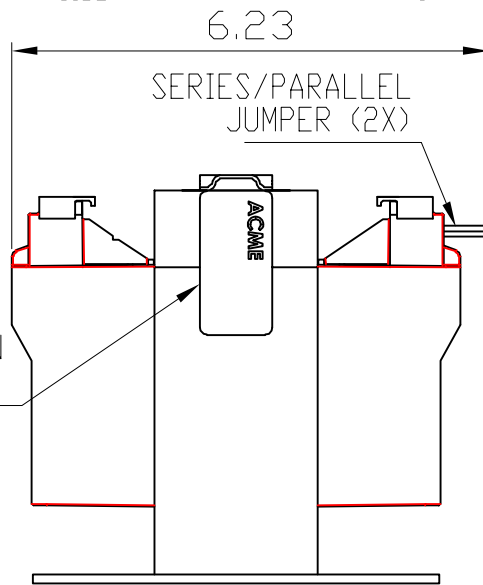
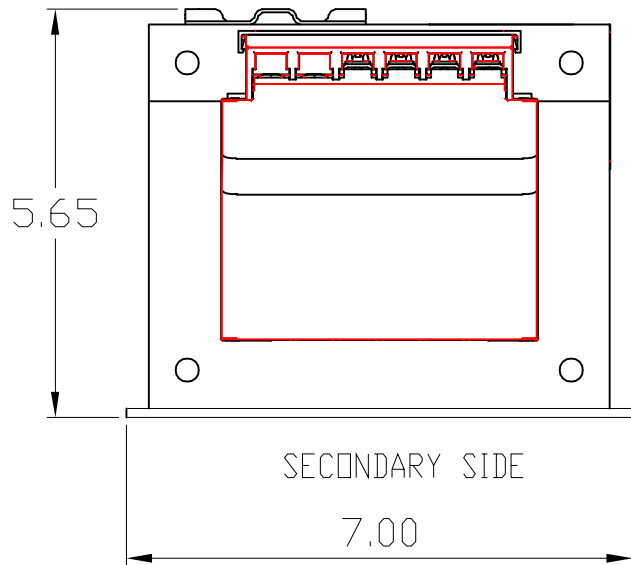



TRANSFORMER SPECIFICATIONS	
PRIMARY VOLTAGE(S)	550/575/600
SECONDARY VOLTAGE(S)	110/115/120
RATED V.A.	1000
RATED FREQUENCY	50/60
INSULATION CLASS	180°C @ MAX RISE 115°C
AGENCY APPROVALS	UL, CUL
ESTIMATED WEIGHT	29.8 LBS

SECONDARY SIDE

PRIMARY SIDE



DIMENSIONS ARE IN INCHES TOLERANCES: .XX ± .03 .XXX ± .010 ANGULAR: ± 1°	DRAWN BY:	VS	DATE	06/05/2020	 DESCRIPTION: 1000 VA	
	CHECKED BY:					
SOURCE	N/A	PROPRIETARY AND CONFIDENTIAL THE INFORMATION CONTAINED IN THIS DRAWING IS THE SOLE PROPERTY OF ACME ELECTRIC. ANY REPRODUCTION IN PART OR AS A WHOLE WITHOUT THE WRITTEN PERMISSION OF ACME ELECTRIC IS PROHIBITED.			SIZE DWG. NO.	
MATERIAL	N/A				A	CE1000N017
FINISH	N/A					
DO NOT SCALE DRAWING		WEIGHT:	LBS.	SHEET 1 OF 1		