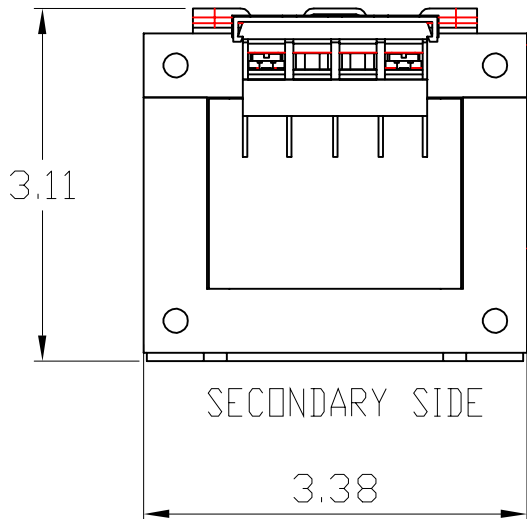


.20X.41 SLOT (4X)

TERMINAL SCREWS ARE COMBINATION M3.5 X 0.6 PHIL-SLOT WITH SEMS WASHER

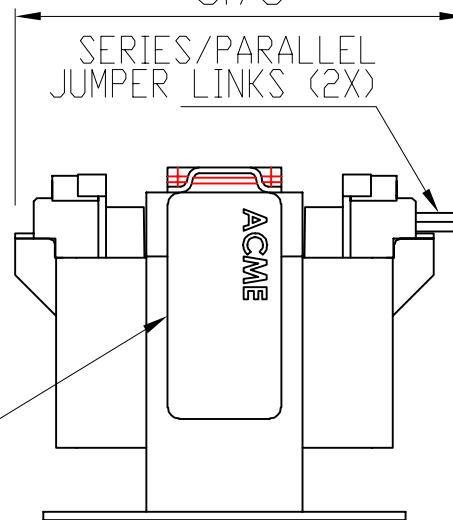


SECONDARY SIDE

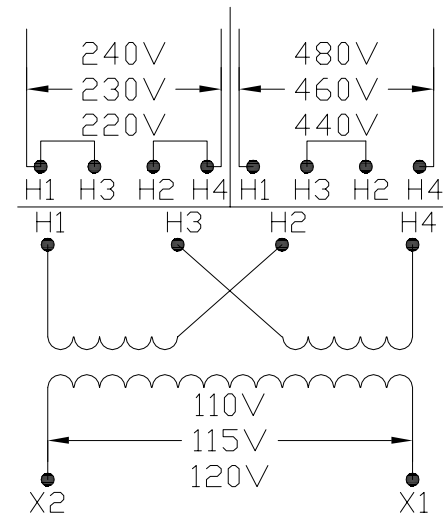
3.38

TRANSFORMER SPECIFICATIONS	
PRIMARY VOLTAGE(S)	230x460
SECONDARY VOLTAGE(S)	115
RATED V.A.	100
RATED FREQUENCY	50/60
INSULATION CLASS	130°C @ MAX RISE 55°C
AGENCY APPROVALS	UL, CUL
ESTIMATED WEIGHT	4.2 LBS


SECONDARY SIDE 3.78 PRIMARY SIDE



IDENTIFICATION LABEL (OPPOSITE SIDE DIAGRAM LABEL)



CONNECTION DIAGRAM

DIMENSIONS ARE IN INCHES TOLERANCES: .XX ± .03 .XXX ± .010 ANGULAR: ± 1°	NAME VS	DATE 06/05/2020	
	DRAWN BY:	CHECKED BY:	
SOURCE N/A	PROPRIETARY AND CONFIDENTIAL THE INFORMATION CONTAINED IN THIS DRAWING IS THE SOLE PROPERTY OF ACME ELECTRIC. ANY REPRODUCTION IN PART OR AS A WHOLE WITHOUT THE WRITTEN PERMISSION OF ACME ELECTRIC IS PROHIBITED.		SIZE DWG. NO. A CE100N008
MATERIAL N/A	DO NOT SCALE DRAWING		WEIGHT: LBS. SHEET 1 OF 1